

# 24" x 36" FRP BOX ASSEMBLY

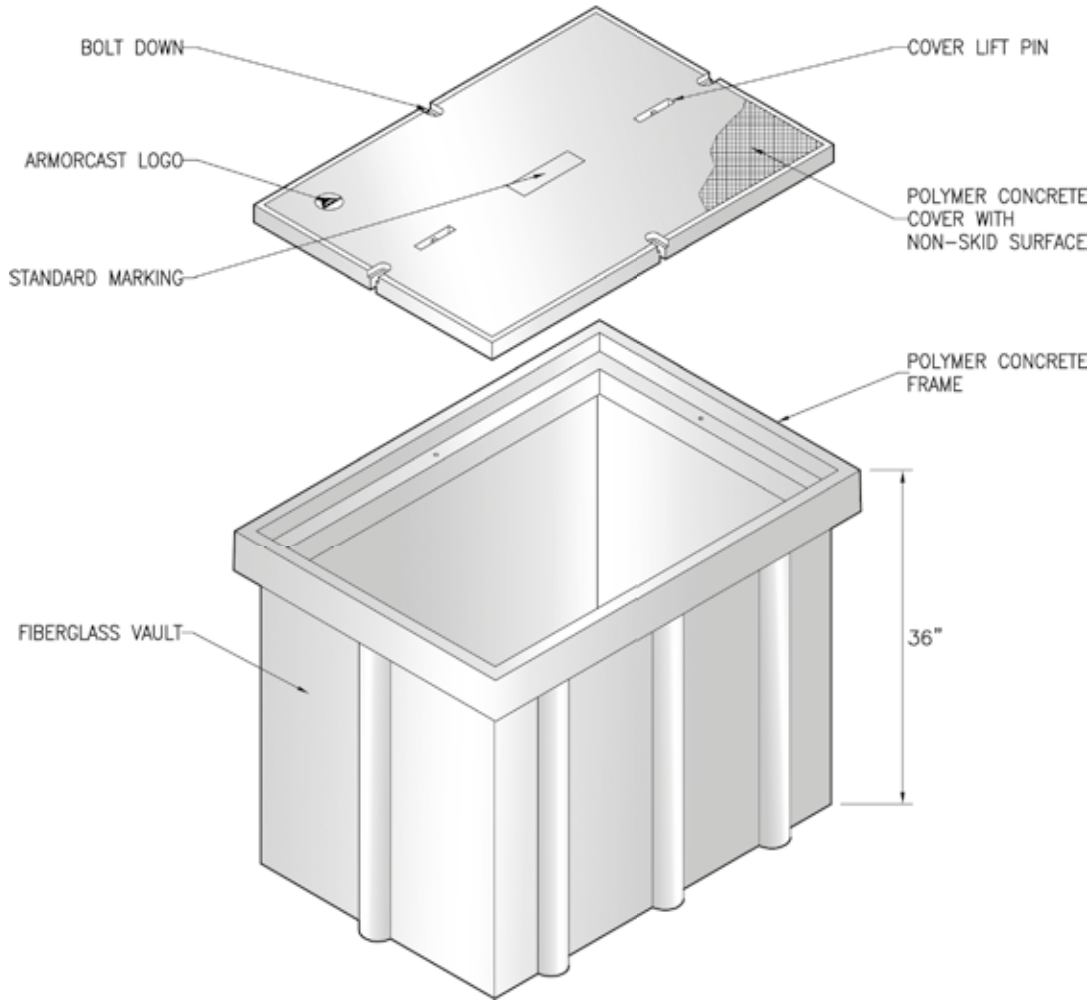
## 36" DEPTH



**FIBERGLASS**

**ARMORCAST PRODUCTS COMPANY**

A6001509



### 24"W x 36"L FRP BOX ASSEMBLIES Specify Depth Below

DESCRIPTION	NOMINAL SIZE W x L x D	LOAD RATING	ANSI TIER	PART NUMBER	APPROX. WEIGHT	PALLET QTY.
Box & Cover Assembly	24" x 36" x 36"	10K	8	A6001509AX36	257 lbs.	1
	24" x 36" x 36"	20K	15	A6001509TAX36	257 lbs.	1

### COMPONENTS

MORE COVER VARIATIONS ARE AVAILABLE IN OUR "COVER SECTION"

DESCRIPTION	NOMINAL SIZE W x L x D	LOAD RATING	ANSI TIER	PART NUMBER	APPROX. WEIGHT	PALLET QTY.
Replacement Covers	24" x 36"	10K	8	A6001670	122 lbs.	10
	24" x 36"	20K	15	A6001670T	122 lbs.	10
Replacement Boxes	24" x 36" x 36"	10K / 20K	8 / 15	A6001509X36F	135 lbs.	1

- Boxes are Open Bottom.
- For sizes not shown please contact Armorcast Products for more information

[www.armorcastprod.com](http://www.armorcastprod.com)

Tel: (818) 982-3600 Fax: (818) 982-7742

FIBERGLASS BOXES



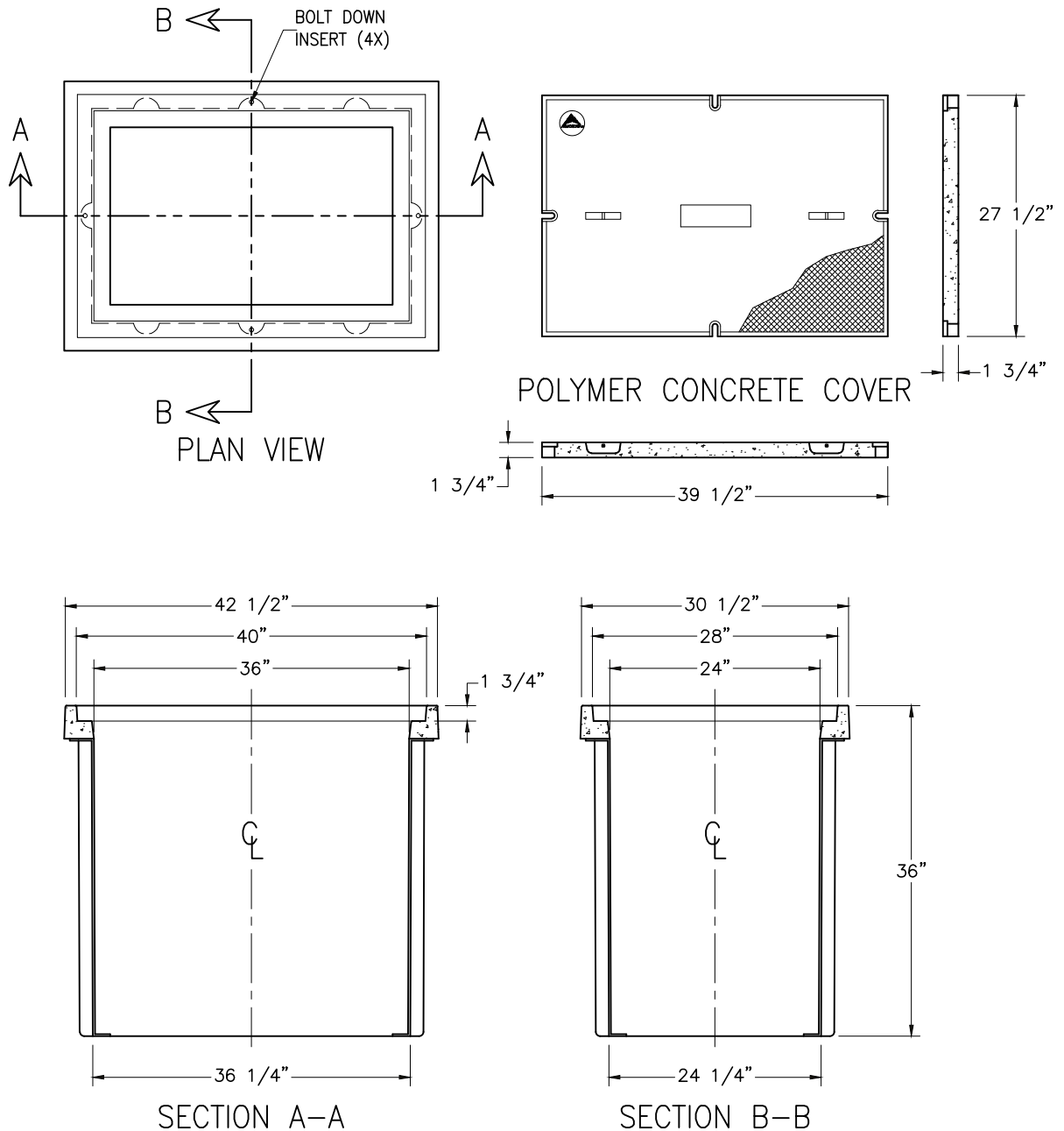
# 24" x 36" FRP BOX ASSEMBLY

## STANDARD DIMENSIONS

ARMORCAST PRODUCTS COMPANY

FIBERGLASS

A6001509



Armorcast Products Company reserves the right to update or discontinue product information at any time without notice.

[www.armorcastprod.com](http://www.armorcastprod.com)

Tel: (818) 982-3600 Fax: (818) 982-7742