

CABLE TROUGH ASSEMBLY

RAIL & TRANSIT



POLYMER CONCRETE

ARMORCAST PRODUCTS COMPANY



• UV RESISTANCE

Polymer Concrete requires no other additives as it is naturally UV resistant.

• PERFORMANCE

Solid, sturdy long lasting material withstands extreme weather conditions and abuse.

• PRODUCTION

Polymer Concrete is cast into precision engineered molds to insure consistent quality and sizing.

SPECIALTY PRODUCTS



FEATURES

Armorcast Products Cable Trough are manufactured using high strength polymer concrete material. Cable Trough provide Railroad, Mass Transit and Power Plants with durable and cost effective enclosures for cable and fiber optic cables. Install in areas subject to occasional heavy vehicular traffic. The heavy-duty design of the trough and cover assembly can withstand sidewall pressure due to heavy vehicles and train loading and has tremendous strength to weight ratios as well as high impact resistance. Cable Trough can be supplied with optional dividers to segregate electric and telecommunications cables. They are connected with interlocking bolts and can be field cut to modify and adapt to different field conditions. Polymer concrete is not affected by chemicals, quick freezes or thaws and does not conduct electricity, no grounding is necessary. Cable Trough is lightweight and the interlocking system makes installation quick and simple. Does not require heavy-duty equipment.

www.armorcastprod.com

Tel: (818) 982-3600 Fax: (818) 982-7742



CABLE TROUGH ASSEMBLY

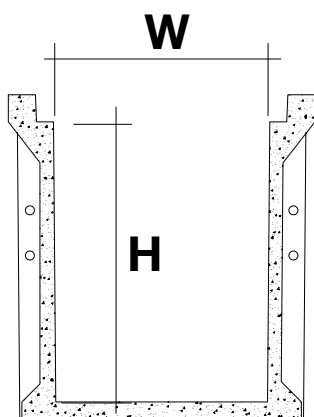
STANDARD DIMENSIONS

ARMORCAST PRODUCTS COMPANY

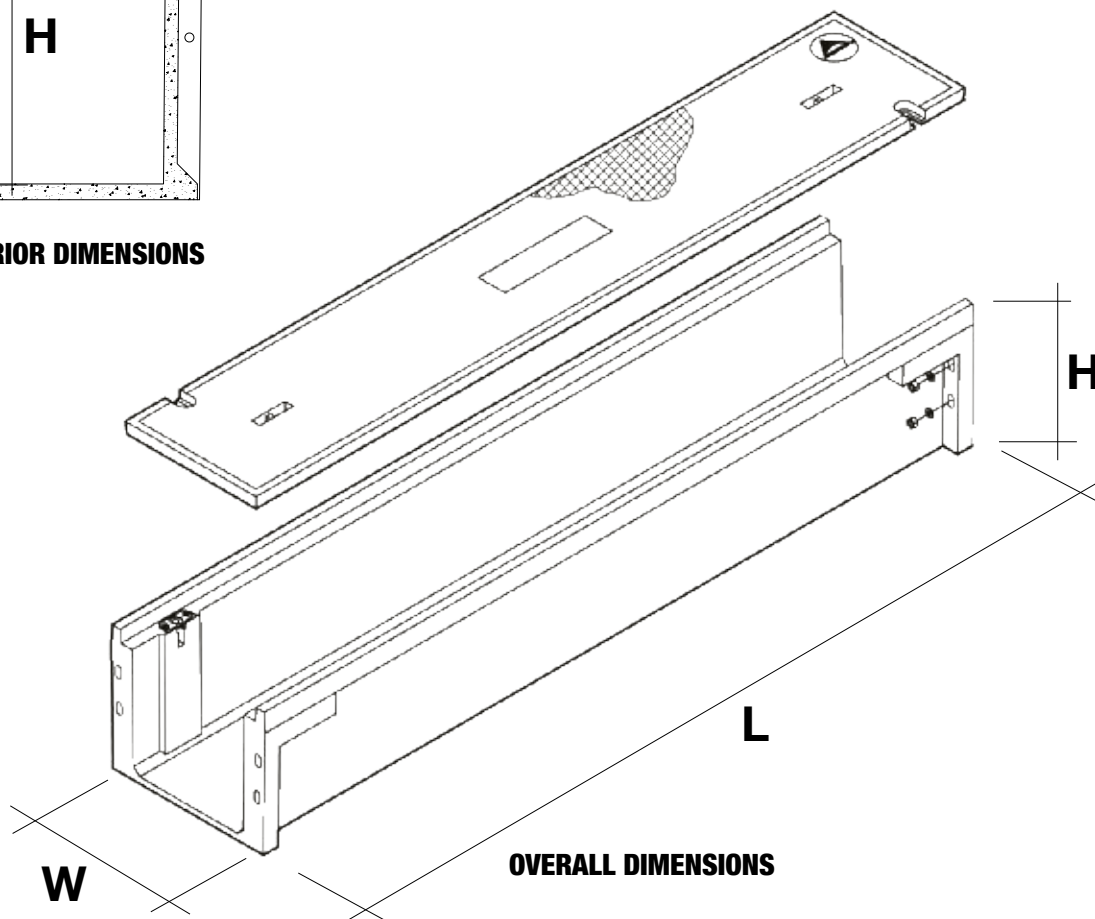
POLYMER CONCRETE

NOMINAL SIZE W x L x H	INTERIOR WIDTH	INTERIOR HEIGHT	OVERALL WIDTH	OVERALL HEIGHT	PART NUMBER	APPROX. WEIGHT
6" x 8" x 60"	6.25"	7.875"	11"	9.625"	A6001301	105lbs.
12" x 8" x 60"	12"	7.5"	17"	9.875"	A6001303	225 lbs.
12" x 16" x 60"	12"	15.5"	17"	17.875"	A6001304	275 lbs.
20" x 12" x 60"	20.25"	12"	25"	14.375"	A6001306	335 lbs.
20" x 16" x 60"	20.25"	16"	25"	18.375"	A6001307	355 lbs.
30" x 12" x 60"	30"	12"	35"	14.375"	A6001309	325 lbs.

TROUGHS ASSEMBLIES INCLUDE: Interlocking Attachment Bolts, Protection Rods,



INTERIOR DIMENSIONS



OVERALL DIMENSIONS

SPECIALTY PRODUCTS

Armorcast Products Company reserves the right to update or discontinue product information at any time without notice.

www.armorcastprod.com

Tel: (818) 982-3600 Fax: (818) 982-7742