

9" x 14" PEDESTAL ASSEMBLY

STRAIGHT LINE

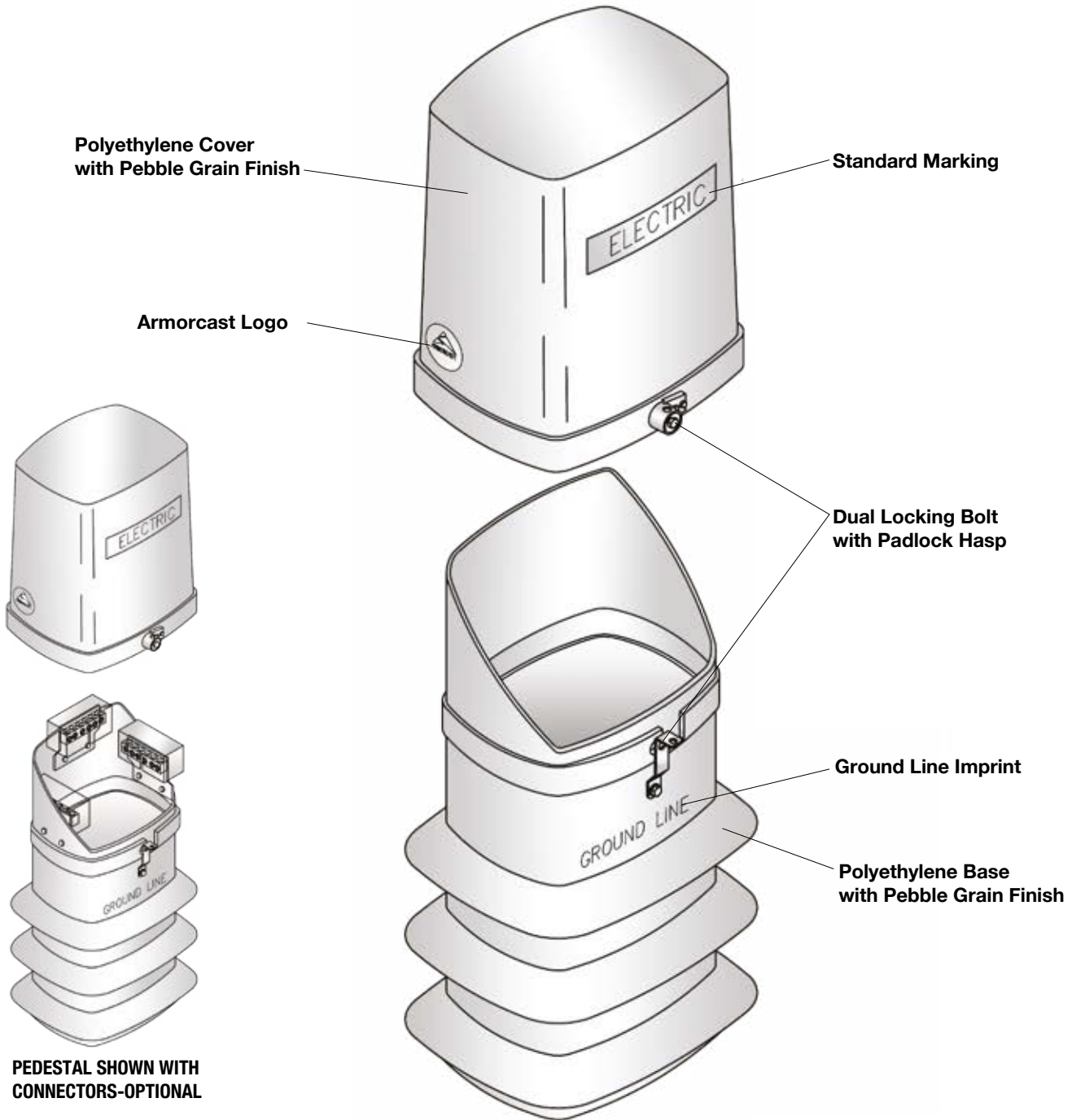


POLYETHYLENE

ARMORCAST PRODUCTS COMPANY

P6001681

PEDESTALS



PEDESTAL SHOWN WITH CONNECTORS-OPTIONAL

9" x 14" STRAIGHT LINE PEDESTAL ASSEMBLY

DESCRIPTION	NOMINAL SIZE W x L x D	DOMES HEIGHT	ABOVE GRADE	PART NUMBER	APPROX. WEIGHT	PALLET QTY.
Straight Line Pedestal	9" x 14" x 34"	20	26	P6001681A	22 lbs.	9



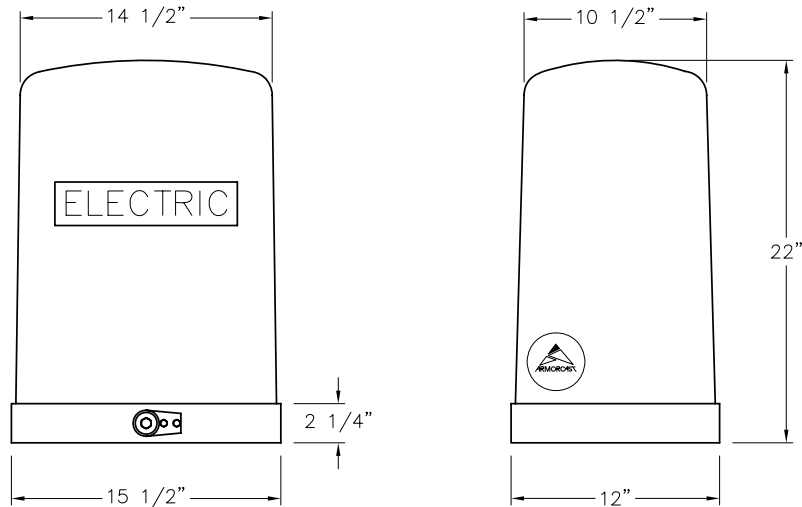
9" x 14" PEDESTAL ASSEMBLY

STRAIGHT LINE

ARMORCAST PRODUCTS COMPANY

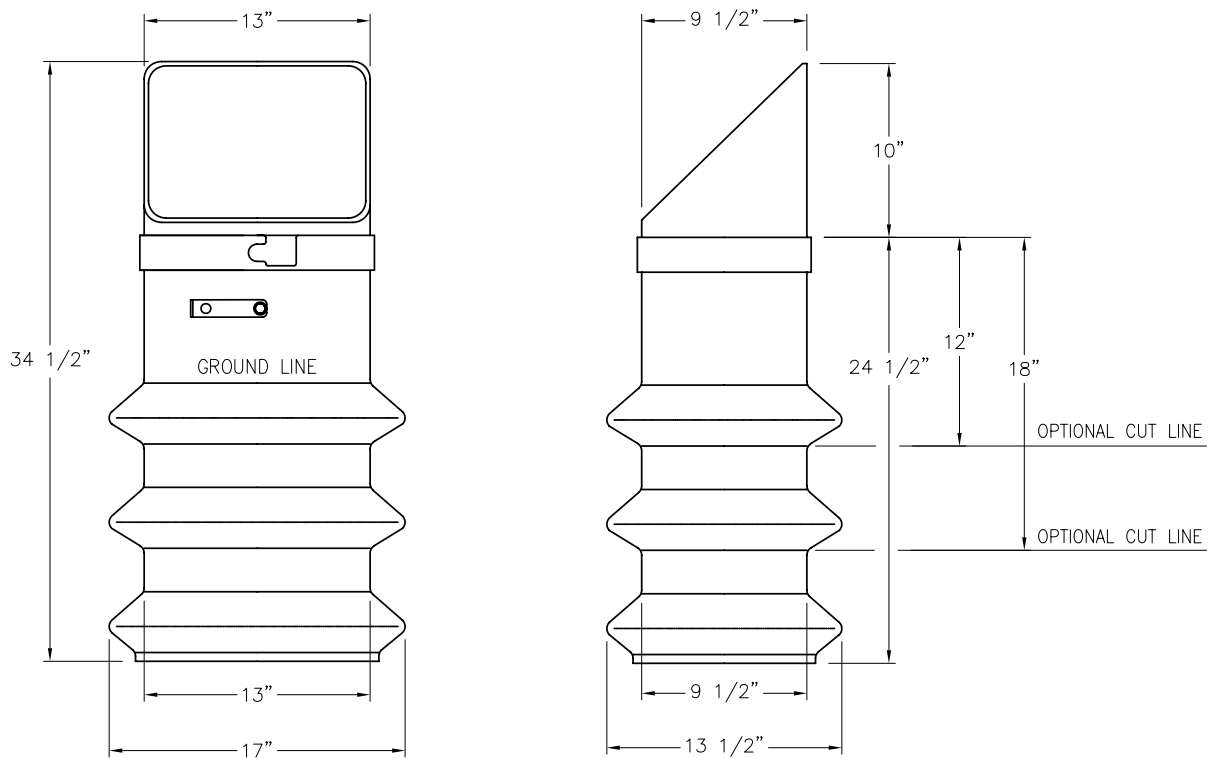
POLYETHYLENE

P6001681



PEDESTALS

POLYETHYLENE COVER



POLYETHYLENE BASE

Armorcast Products Company reserves the right to update or discontinue product information at any time without notice.

www.armorcastprod.com

Tel: (818) 982-3600 Fax: (818) 982-7742