

# 6" x 8" BOX ASSEMBLY

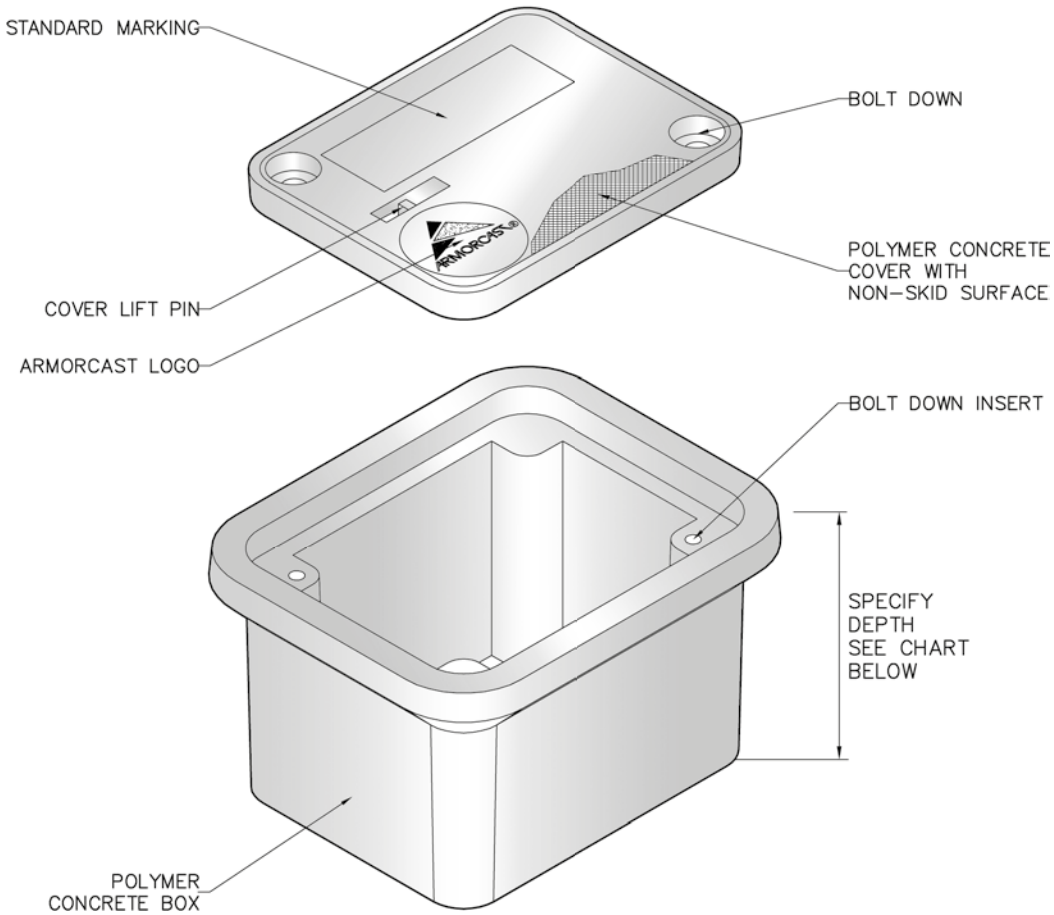
## 6" DEPTH



**POLYMER CONCRETE**

**ARMORCAST PRODUCTS COMPANY**

A6000608



POLYMER CONCRETE BOXES

### 6"W x 8"L BOX ASSEMBLY

DESCRIPTION	NOMINAL SIZE W x L x D	LOAD RATING	ANSI TIER	PART NUMBER	APPROX. WEIGHT	PALLET QTY.
Box & Cover Assembly	6" x 8" x 6"	10K	8	A6000608AX6	16 lbs.	50
	6" x 8" x 6"	20K	15 / 22	A6000608TAX6 / A6000608HDAX6	16 lbs.	50

### COMPONENTS

MORE COVER VARIATIONS ARE AVAILABLE IN OUR "COVER SECTION"

DESCRIPTION	NOMINAL SIZE W x L x D	LOAD RATING	ANSI TIER	PART NUMBER	APPROX. WEIGHT	PALLET QTY.
Replacement Covers	6" x 8"	10K	8	A6000609	5 lbs.	100
	6" x 8"	20K	15	A6000609T	5 lbs.	100
Replacement Box	6" x 8" x 6"	10K / 20K	22	A6000608X6	11 lbs.	50

- Boxes are Open Bottom and Stackable, also available with Solid Bottoms.
- For sizes not shown please contact Armorcast Products for more information.

THIS PRODUCT IS LISTED TO APPLICABLE UL STANDARDS AND REQUIREMENTS BY UL.



ARMORCAST PRODUCTS COMPANY

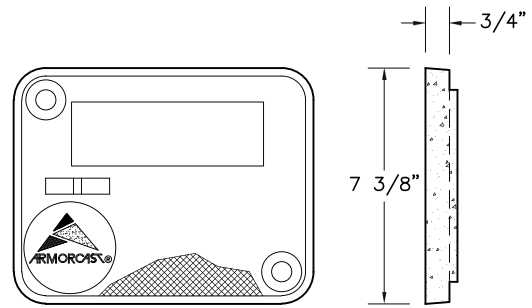
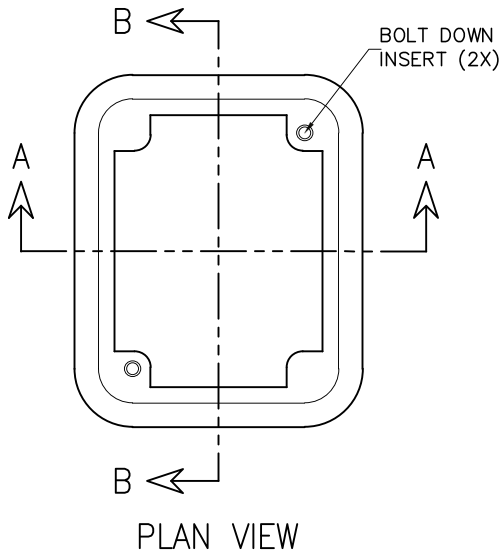
# 6" x 8" BOX ASSEMBLY STANDARD DIMENSIONS

POLYMER CONCRETE

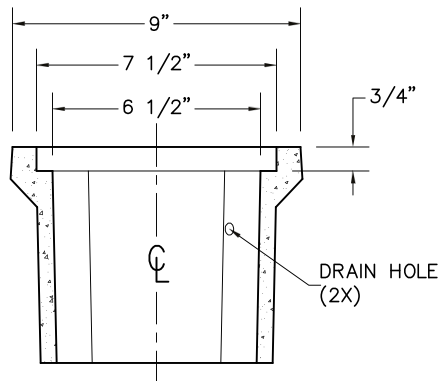
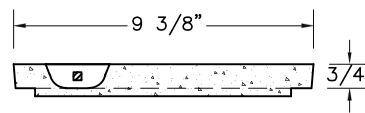
A6000608



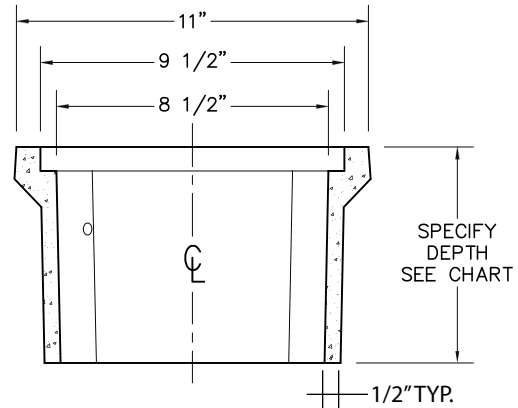
FILE #E364252



POLYMER CONCRETE COVER



SECTION A-A



SECTION B-B

POLYMER CONCRETE  
BOXES

Armorcast Products Company reserves the right to update or discontinue product information at any time without notice.

THIS PRODUCT IS LISTED TO APPLICABLE UL STANDARDS AND REQUIREMENTS BY UL.

[www.armorcastprod.com](http://www.armorcastprod.com)

Tel: (818) 982-3600 Fax: (818) 982-7742