

48" x 72" VAULT ASSEMBLY

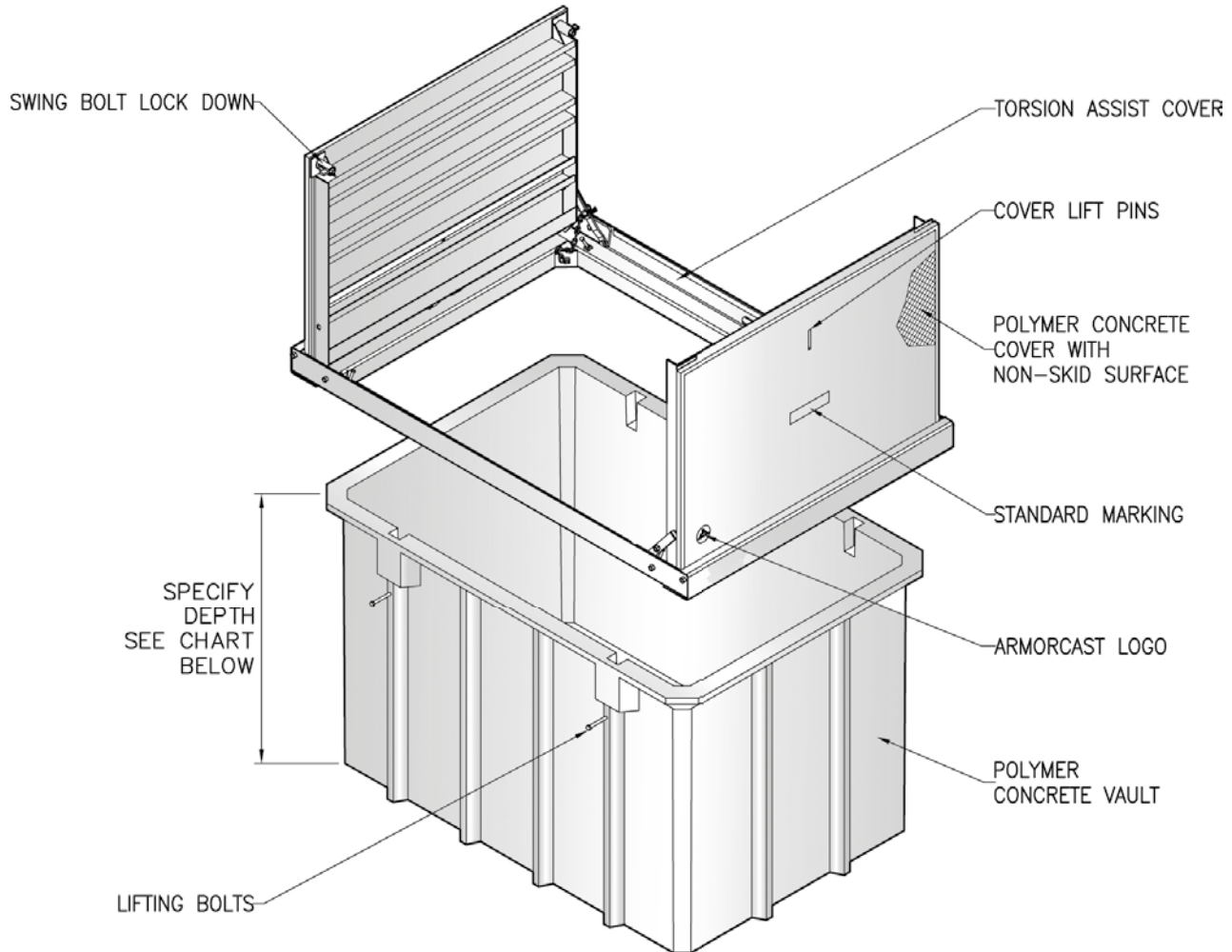
36" & 48" DEPTHS / TORSION ASSIST



POLYMER CONCRETE

ARMORCAST PRODUCTS COMPANY

A6001506MT



POLYMER CONCRETE VAULTS & MANHOLES

48"W x 72"L VAULT ASSEMBLY / TORSION ASSIST COVER Specify Depth Below

DESCRIPTION	NOMINAL SIZE W x L x D	LOAD RATING	ANSI TIER	PART NUMBER	APPROX. WEIGHT	PALLET QTY.
Vault & Cover Assembly	48" x 72" x 36"	20K	15	A6001506TAP36MT	1200 lbs.	1
Vault & Cover Assembly	48" x 72" x 48"	20K	15	A6001506TAP48MT	1425 lbs.	1

- Vaults are Open Bottom, also available with Split Base or Solid Bottoms.
- For sizes not shown please contact Armorcast Products for more information.

www.armorcastprod.com

Tel: (818) 982-3600 Fax: (818) 982-7742



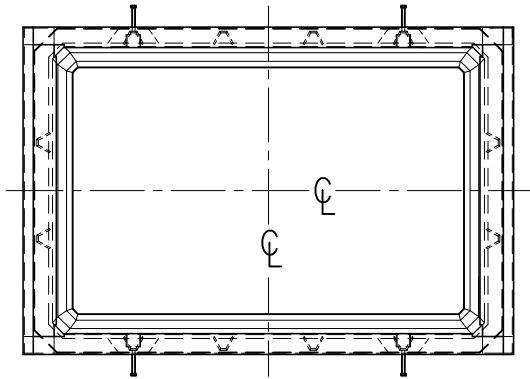
ARMORCAST PRODUCTS COMPANY

48" x 72" VAULT ASSEMBLY

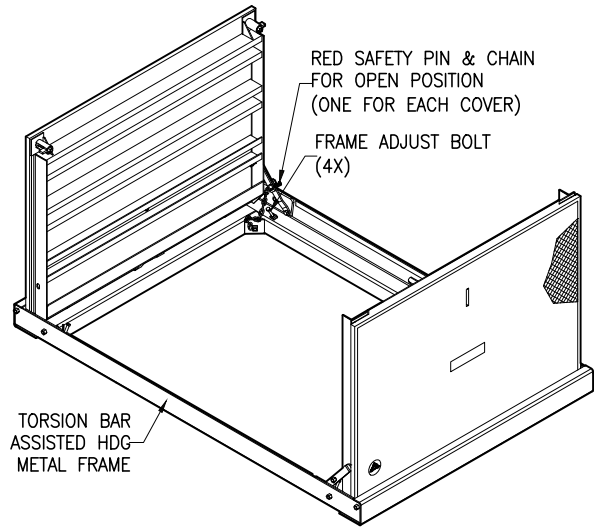
STANDARD DIMENSIONS / TORSION ASSIST

POLYMER CONCRETE

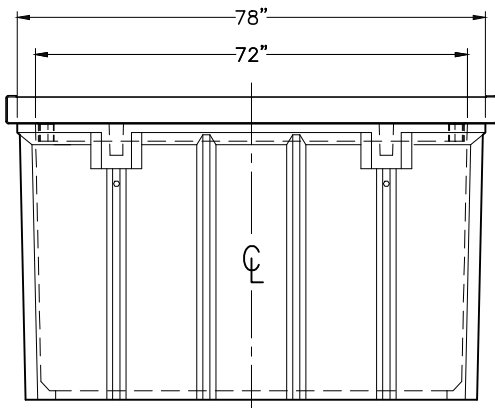
A6001506MT



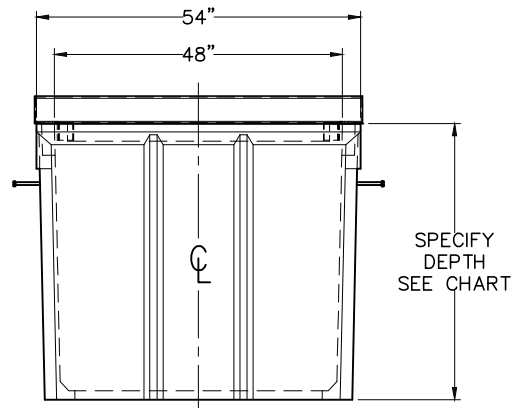
TOP VIEW



TORSION ASSIST COVER



SIDE VIEW



END VIEW

Armorcast Products Company reserves the right to update or discontinue product information at any time without notice.

www.armorcastprod.com

Tel: (818) 982-3600 Fax: (818) 982-7742

POLYMER CONCRETE
VAULTS & MANHOLE