

48" x 72" FRP VAULT ASSEMBLY

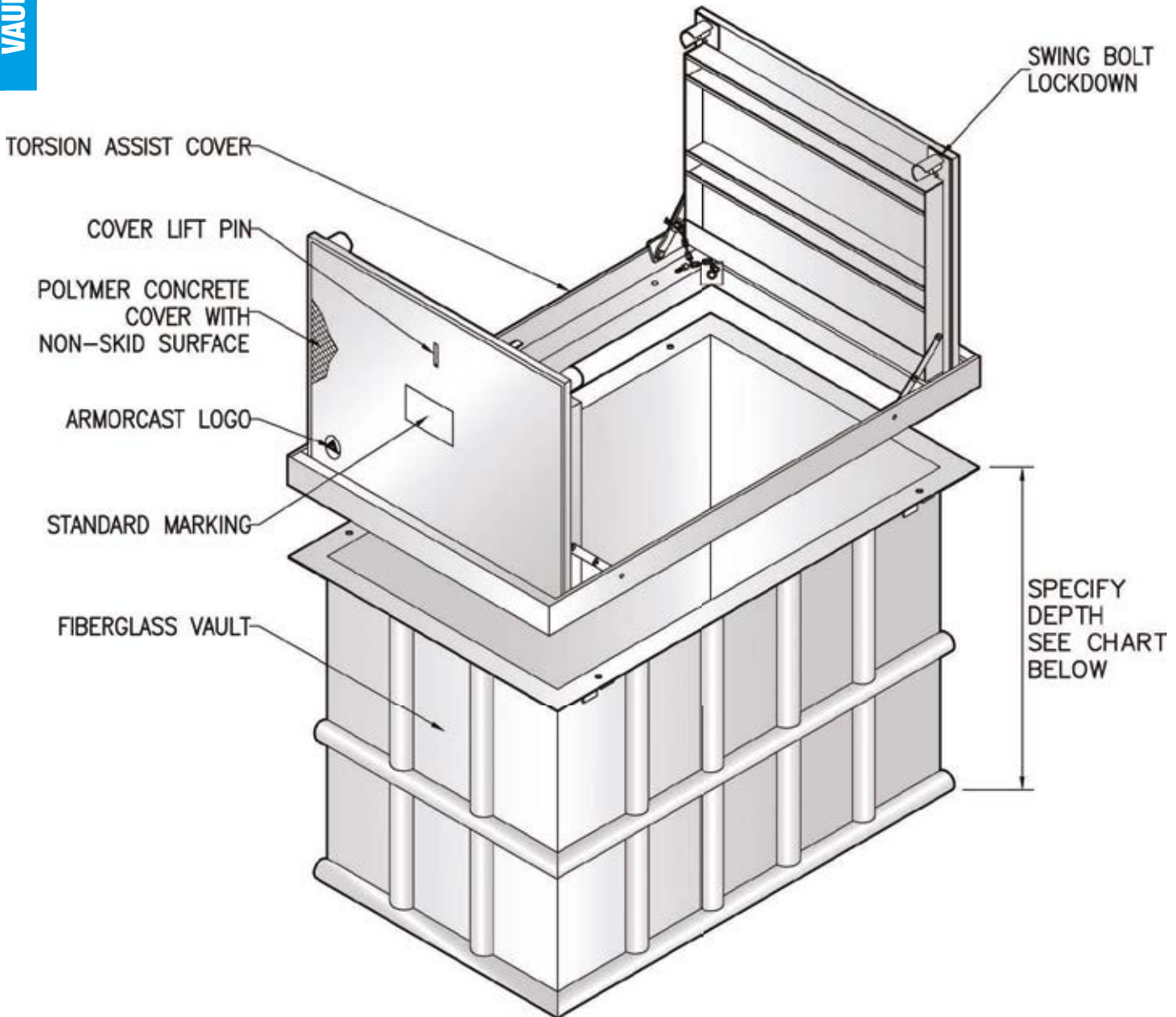
36" & 48" DEPTHS / TORSION ASSIST



FIBERGLASS

ARMORCAST PRODUCTS COMPANY

A6001506MT



48"W x 72"L FRP VAULT ASSEMBLIES Specify Depth Below

DESCRIPTION	NOMINAL SIZE W x L x D	LOAD RATING	ANSI TIER	PART NUMBER	APPROX. WEIGHT	PALLET QTY.
Vault & Cover Assembly	48" x 72" x 36"	10K	8	A6001506AX36MT	980 lbs.	1
	48" x 72" x 36"	20K	15	A6001506TAX36MT	980 lbs.	1
Vault & Cover Assembly	48" x 72" x 48"	10K	8	A6001506AX48 MT	1015 lbs.	1
	48" x 72" x 48"	20K	15	A6001506TAX48MT	1015 lbs.	1

- Vaults are Open Bottom. Also available with Solid Bottoms.
- For sizes not shown please contact Armorcast Products for more information



ARMORCAST PRODUCTS COMPANY

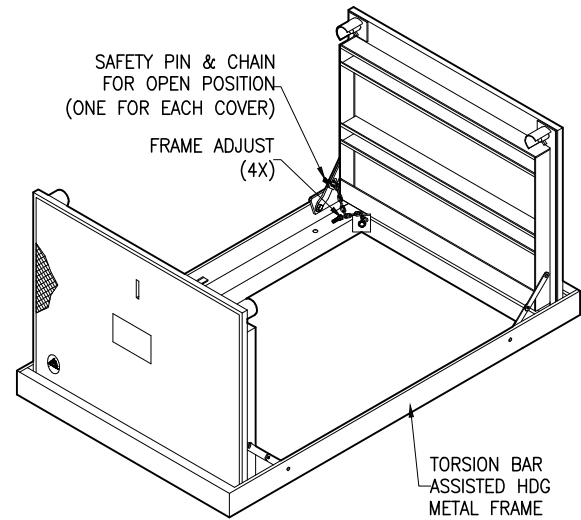
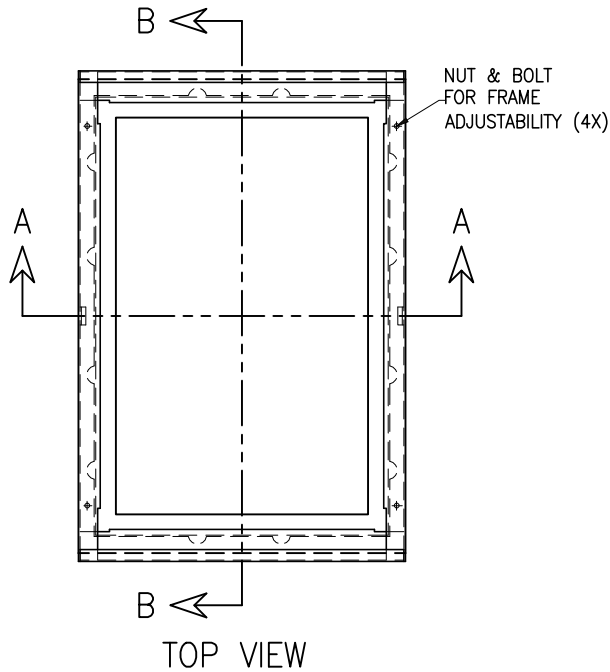
48" x 72" FRP VAULT ASSEMBLY

STANDARD DIMENSIONS / TORSION ASSIST

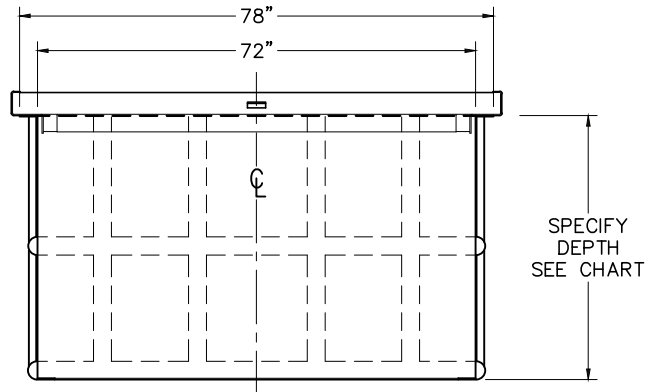
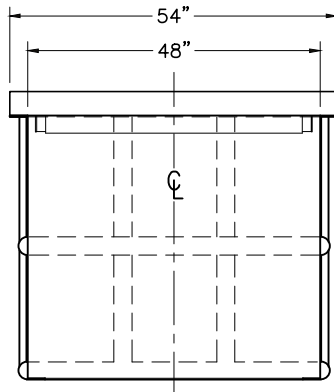
FIBERGLASS

A6001506MT

FIBERGLASS
VAULT & MANHOLE



TORSION ASSIST COVER



Armorcast Products Company reserves the right to update or discontinue product information at any time without notice.

www.armorcastprod.com

Tel: (818) 982-3600 Fax: (818) 982-7742