

48" x 72" VAULT ASSEMBLY

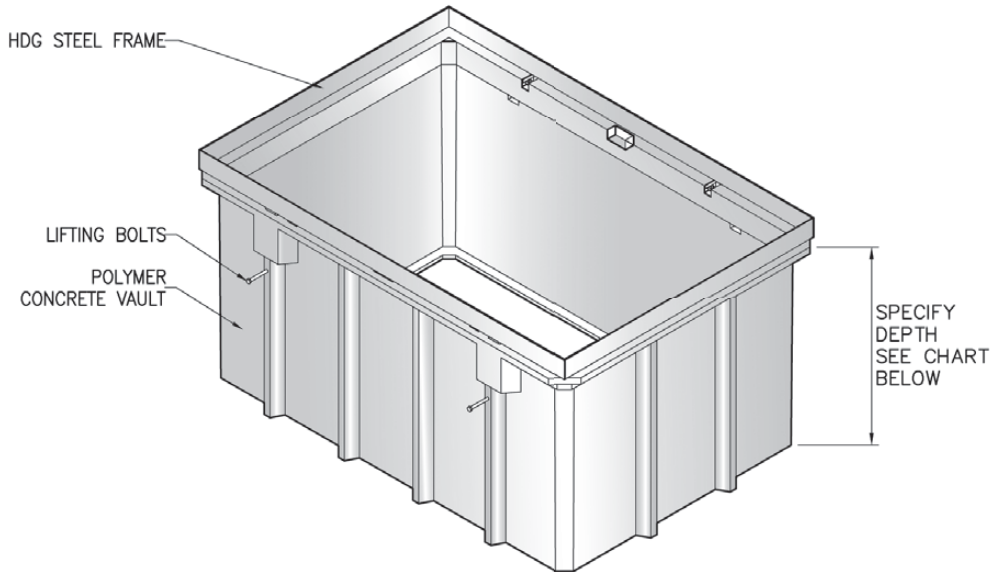
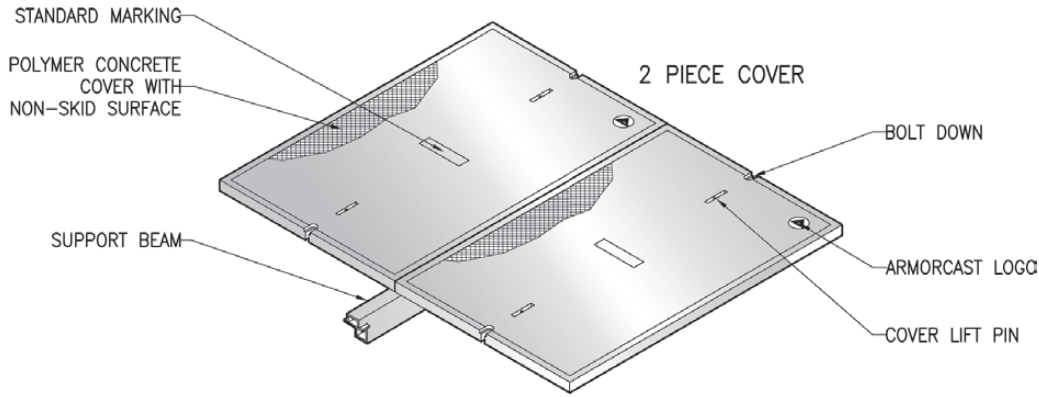
36" & 48" DEPTHS



POLYMER CONCRETE

ARMORCAST PRODUCTS COMPANY

A6001506



48"W x 72"L VAULT ASSEMBLY Specify Depth Below

DESCRIPTION	NOMINAL SIZE W x L x D	LOAD RATING	ANSI TIER	PART NUMBER	APPROX. WEIGHT	PALLET QTY.
Vault & Cover Assembly	48" x 72" x 36"	10K	8	A6001506APCX36	1230 lbs.	1
	48" x 72" x 36"	20K	15/22	A6001506TAPCX36/A6001506HDAPCX36	1230 lbs.	1
Vault & Cover Assembly	48" x 72" x 48"	10K	8	A6001506APCX48	1450 lbs.	1
	48" x 72" x 48"	20K	15/22	A6001506TAPCX48/A6W1506HDAPCX48	1450 lbs.	1

COMPONENTS

DESCRIPTION	NOMINAL SIZE W x L x D	LOAD RATING	ANSI TIER	PART NUMBER	APPROX. WEIGHT	PALLET QTY.
Replacement Covers	48" x 72" 2 pc.	10K	8	A6001458	255 lbs.	10
	48" x 72" 2 pc.	20K	15/22	A6001458T/A6001458HD	255 lbs.	10
Replacement Vaults	48" x 72" x 36"	10K / 20K	22	A6001506PCX36	640 lbs.	1
	48" x 72" x 48"	10K / 20K	22	A6001506PCX48	860 lbs.	1
Extension	48" x 72" x 12"	10K / 20K	22	A6001506PCX12	415 lbs.	5

- Vaults are Open Bottom, also available with Split Base or Solid Bottoms.
- For sizes not shown please contact Armorcast Products for more information.

www.armorcastprod.com

Tel: (818) 982-3600 Fax: (818) 982-7742

POLYMER CONCRETE VAULTS & MANHOLES



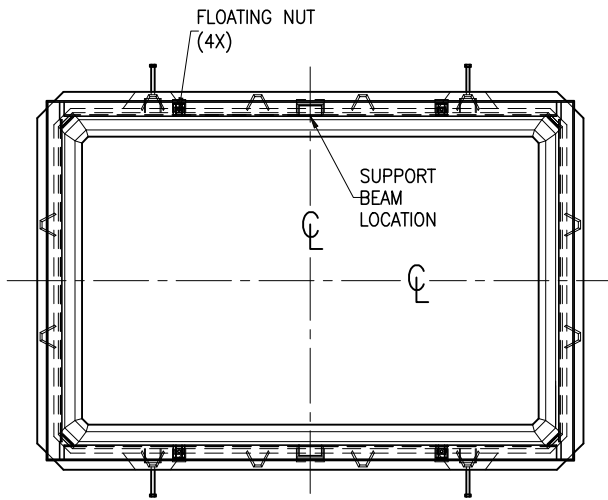
ARMORCAST PRODUCTS COMPANY

48" x 72" VAULT ASSEMBLY

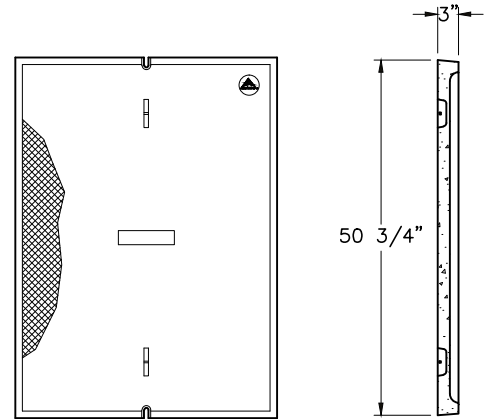
STANDARD DIMENSIONS

POLYMER CONCRETE

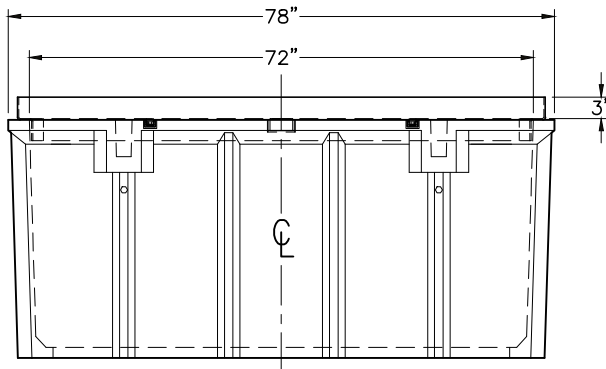
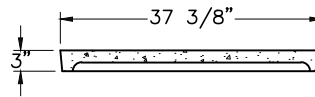
A6001506



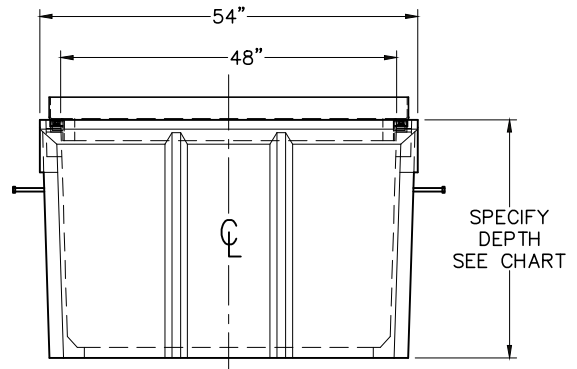
TOP VIEW



2 PIECE COVER
POLYMER CONCRETE COVER



SIDE VIEW



END VIEW

POLYMER CONCRETE
VAULTS & MANHOLE

Armorcast Products Company reserves the right to update or discontinue product information at any time without notice.

www.armorcastprod.com

Tel: (818) 982-3600 Fax: (818) 982-7742