

48" x 72" FRP MANHOLE ASSEMBLY

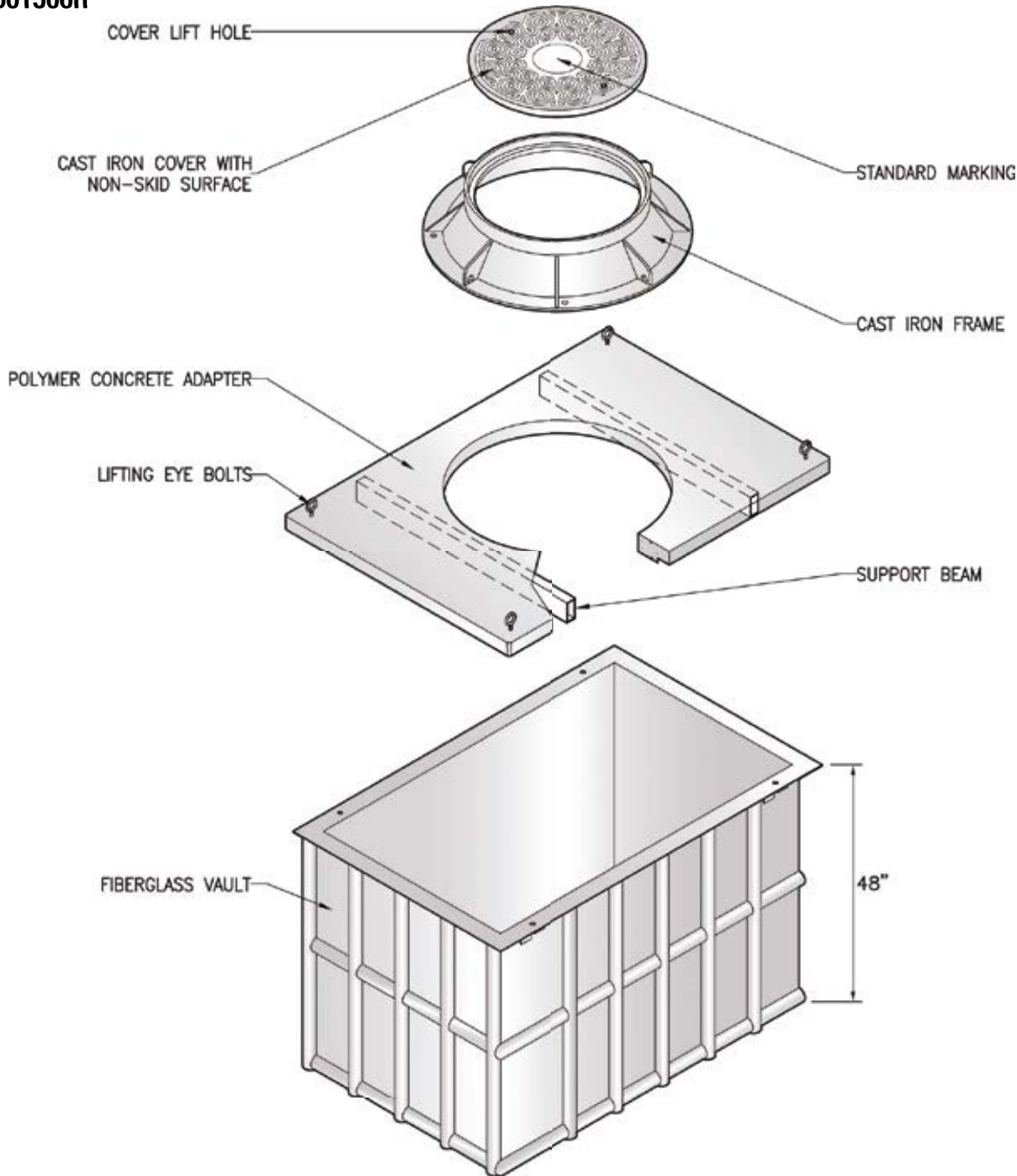
48" DEPTH



FIBERGLASS

ARMORCAST PRODUCTS COMPANY

A6001506H



48"W x 72"L FRP MANHOLE ASSEMBLIES Specify Depth Below

DESCRIPTION	NOMINAL SIZE W x L x D	LOAD RATING	ANSI TIER	PART NUMBER	APPROX. WEIGHT	PALLET QTY.
Vault & Cover Assembly	48" x 72" x 48"	H20	-	A6001506HTAX48B	1750 lbs.	1

- Solid Bottom and includes Cast Iron Ring & Cover
- For sizes not shown please contact Armorcast Products for more information



ARMORCAST PRODUCTS COMPANY

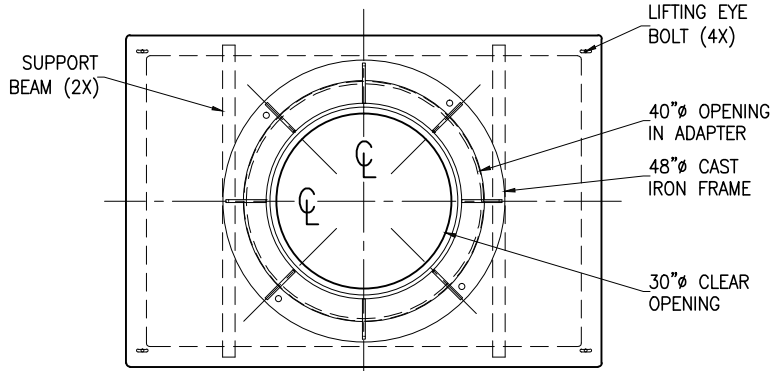
48" x 72" FRP MANHOLE ASSEMBLY

STANDARD DIMENSIONS

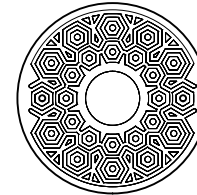
FIBERGLASS

A6001506H

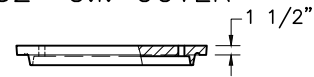
FIBERGLASS
VAULT & MANHOLE



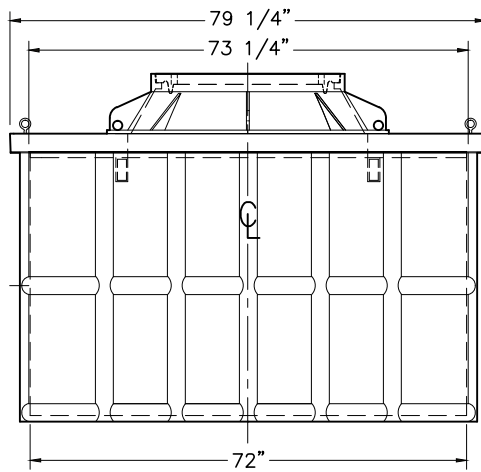
TOP VIEW



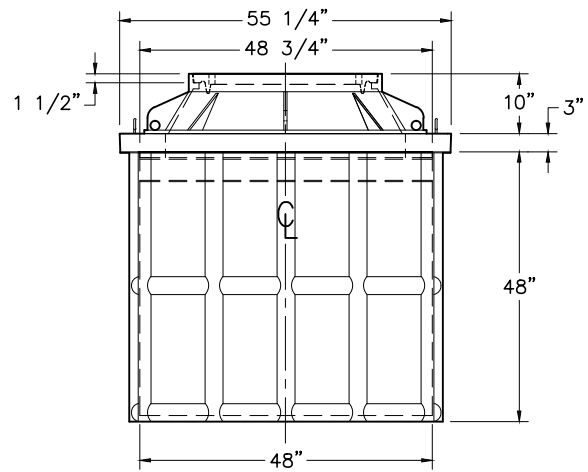
TOP VIEW
32" C.I. COVER



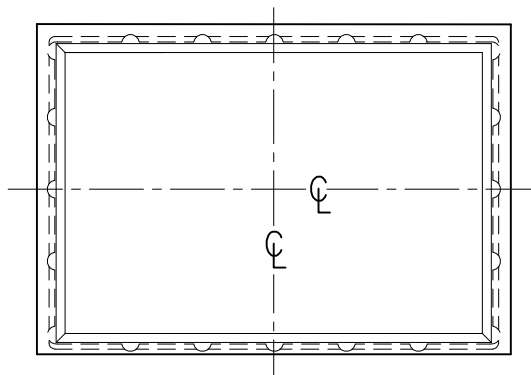
SECTION - C.I. COVER



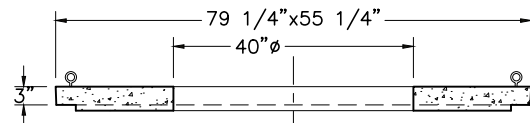
SIDE VIEW



END VIEW



POLYMER CONCRETE MANHOLE
TOP VIEW



SECTION -
POLYMER CONCRETE ADAPTER

Armorcast Products Company reserves the right to update or discontinue product information at any time without notice.

www.armorcastprod.com

Tel: (818) 982-3600 Fax: (818) 982-7742