

# 48" x 60" VAULT ASSEMBLY

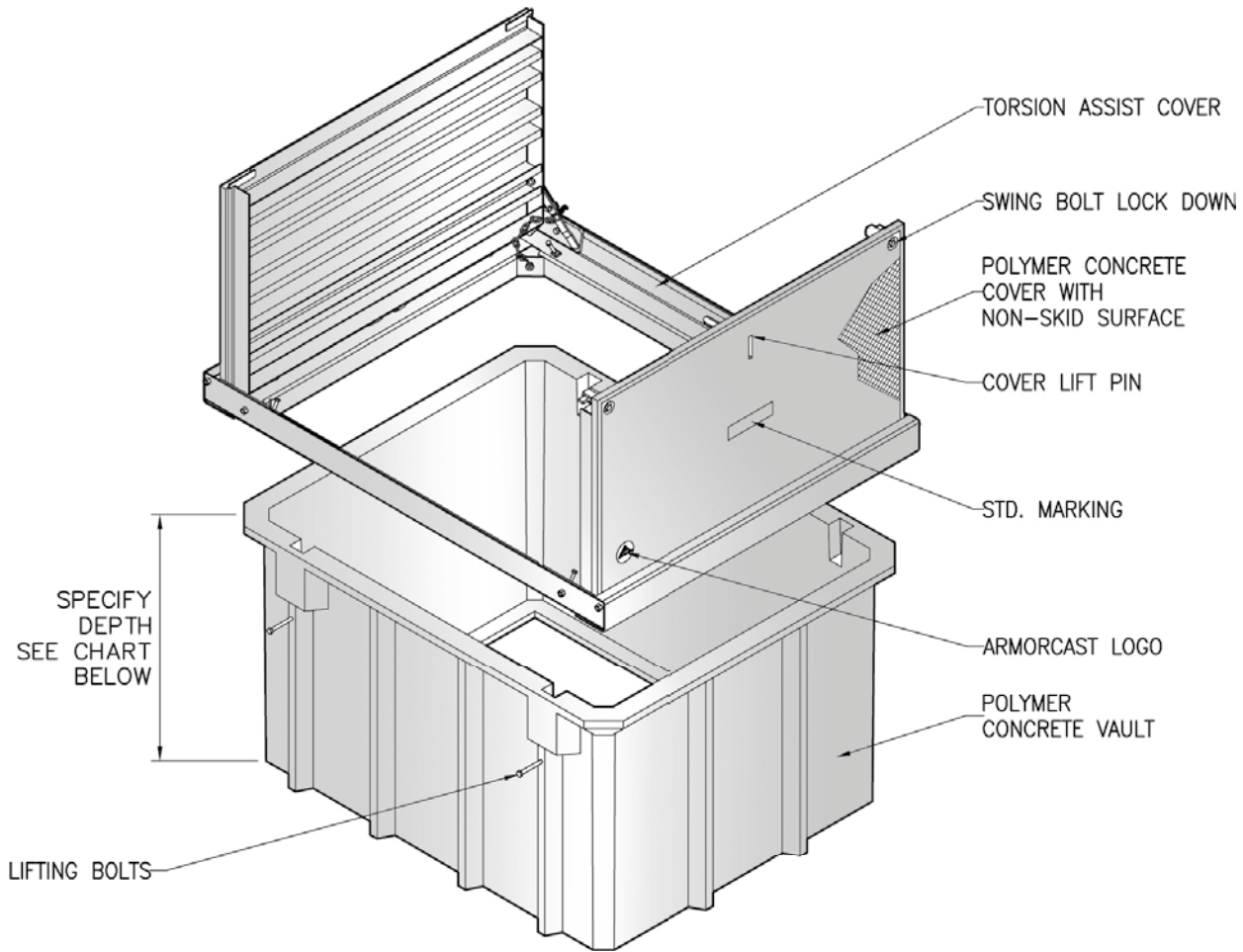
## 36" & 48" DEPTH / TORSION ASSIST



**POLYMER CONCRETE**

**ARMORCAST PRODUCTS COMPANY**

A6001447MT



POLYMER CONCRETE VAULTS & MANHOLES

### 48"W x 60"L VAULT ASSEMBLY / TORSION ASSIST COVER Specify Depth Below

DESCRIPTION	NOMINAL SIZE W x L x D	LOAD RATING	ANSI TIER	PART NUMBER	APPROX. WEIGHT	PALLET QTY.
Vault & Cover Assembly	48" x 60" x 36"	20K	15	A6001447TAP36MT	1200 lbs.	1
Vault & Cover Assembly	48" x 60" x 48"	20K	15	A6001447TAP48MT	1350 lbs.	1

- Vaults are Open Bottom, also available with Split Base or Solid Bottoms.
- For sizes not shown please contact Armorcast Products for more information.

[www.armorcastprod.com](http://www.armorcastprod.com)

Tel: (818) 982-3600 Fax: (818) 982-7742



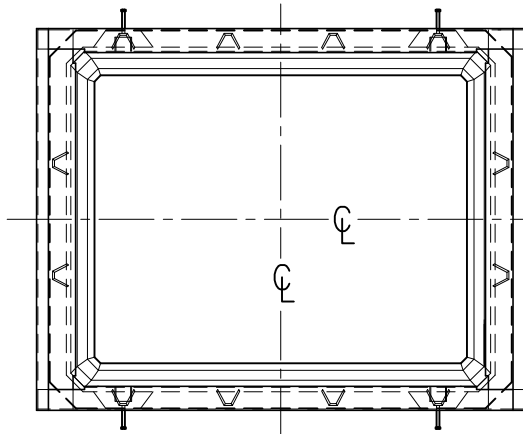
ARMORCAST PRODUCTS COMPANY

# 48" x 60" VAULT ASSEMBLY

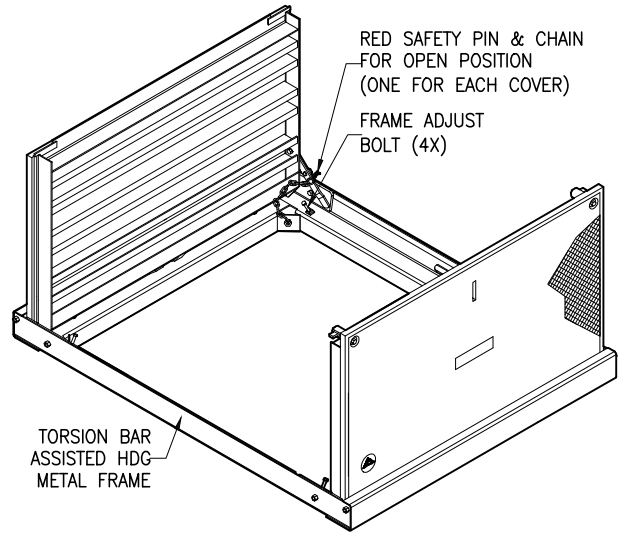
## STANDARD DIMENSIONS / TORSION ASSIST

POLYMER CONCRETE

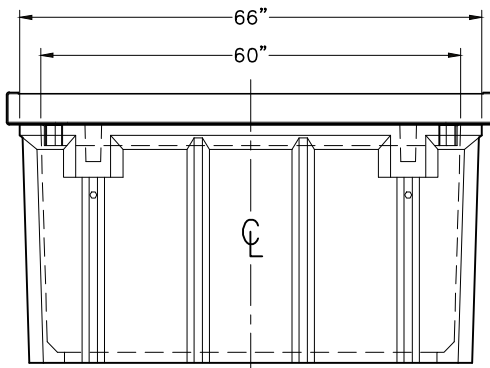
A6001447MT



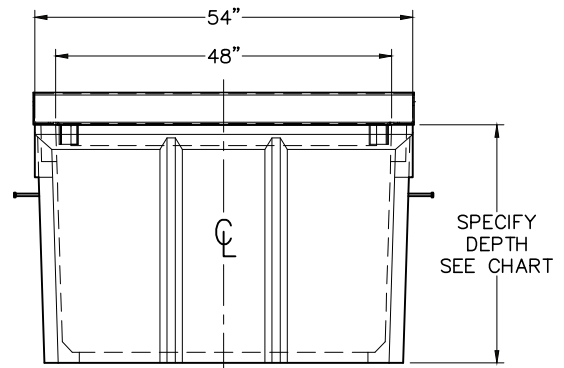
TOP VIEW



TORSION ASSIST COVER



SIDE VIEW



END VIEW

POLYMER CONCRETE  
VAULTS & MANHOLE

Armorcast Products Company reserves the right to update or discontinue product information at any time without notice.

[www.armorcastprod.com](http://www.armorcastprod.com)

Tel: (818) 982-3600 Fax: (818) 982-7742