

48" x 60" FRP VAULT ASSEMBLY

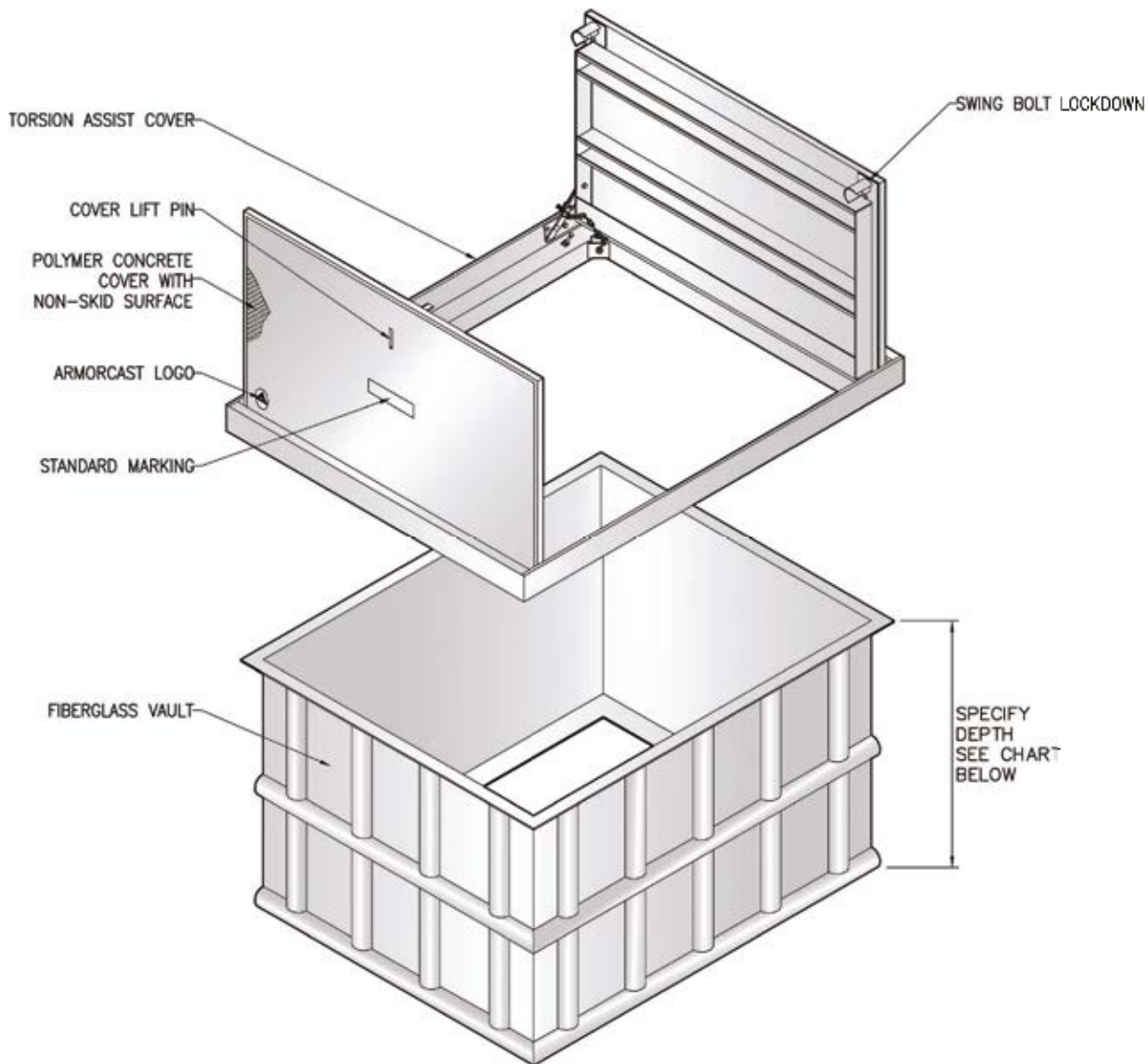
36" & 48" DEPTHS / TORSION ASSIST



FIBERGLASS

ARMORCAST PRODUCTS COMPANY

A6001447MT



48"W x 60"L FRP VAULT ASSEMBLIES Specify Depth Below

| DESCRIPTION | NOMINAL SIZE W x L x D | LOAD RATING | ANSI TIER | PART NUMBER | APPROX. WEIGHT | PALLET QTY. |
|---------------------------|---------------------------|----------------|--------------|-----------------|-------------------|----------------|
| Vault & Cover Assembly | 48" x 60" x 36" | 10K | 8 | A6001447AX36MT | 805 lbs. | 1 |
| | 48" x 60" x 36" | 20K | 15 | A6001447TAX36MT | 805 lbs. | 1 |
| Vault & Cover Assembly | 48" x 60" x 48" | 10K | 8 | A6001447AX48MT | 840 lbs. | 1 |
| | 48" x 60" x 48" | 20K | 15 | A6001447TAX48MT | 840 lbs. | 1 |

- Vaults are Open Bottom. Also available with Solid Bottoms.
- For sizes not shown please contact Armorcast Products for more information



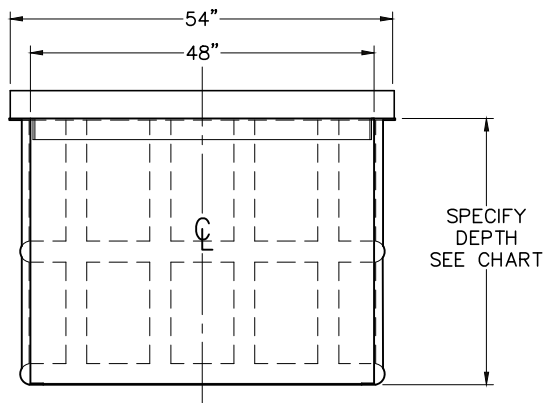
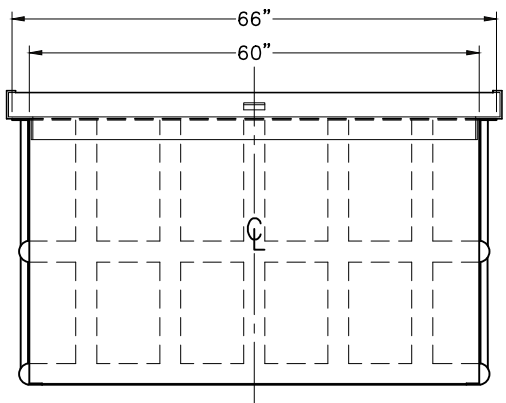
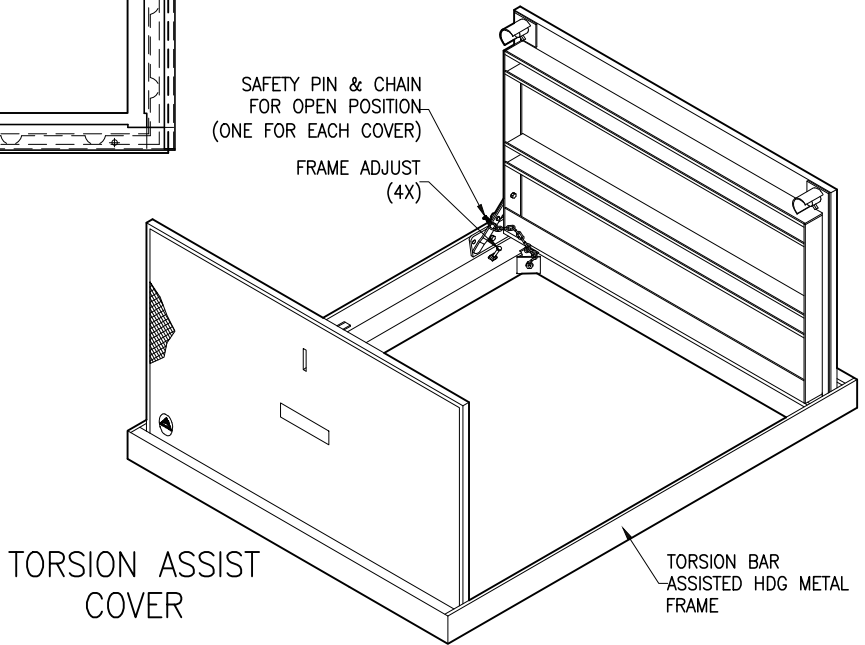
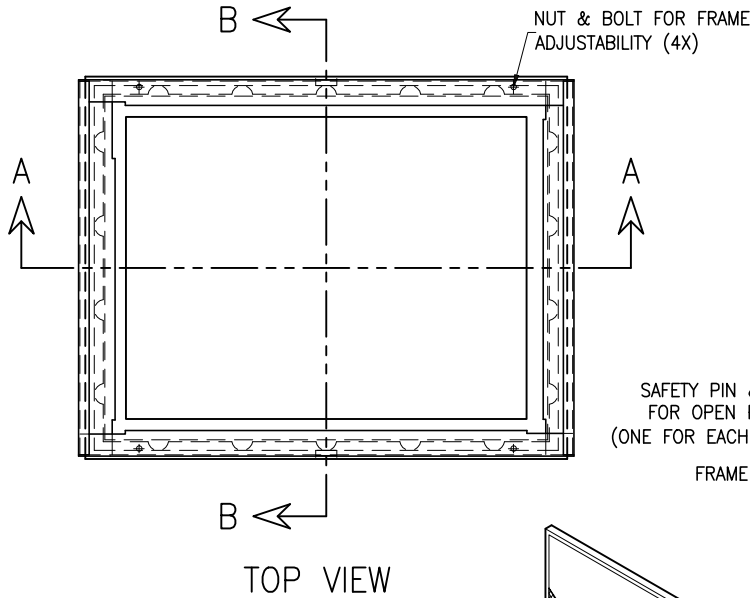
48" x 60" FRP VAULT ASSEMBLY STANDARD DIMENSIONS / TORSION ASSIST

ARMORCAST PRODUCTS COMPANY

FIBERGLASS

A6001447MT

FIBERGLASS
VAULT & MANHOLE



Armorcast Products Company reserves the right to update or discontinue product information at any time without notice.

www.armorcastprod.com

Tel: (818) 982-3600 Fax: (818) 982-7742