

# 48" x 60" VAULT ASSEMBLY

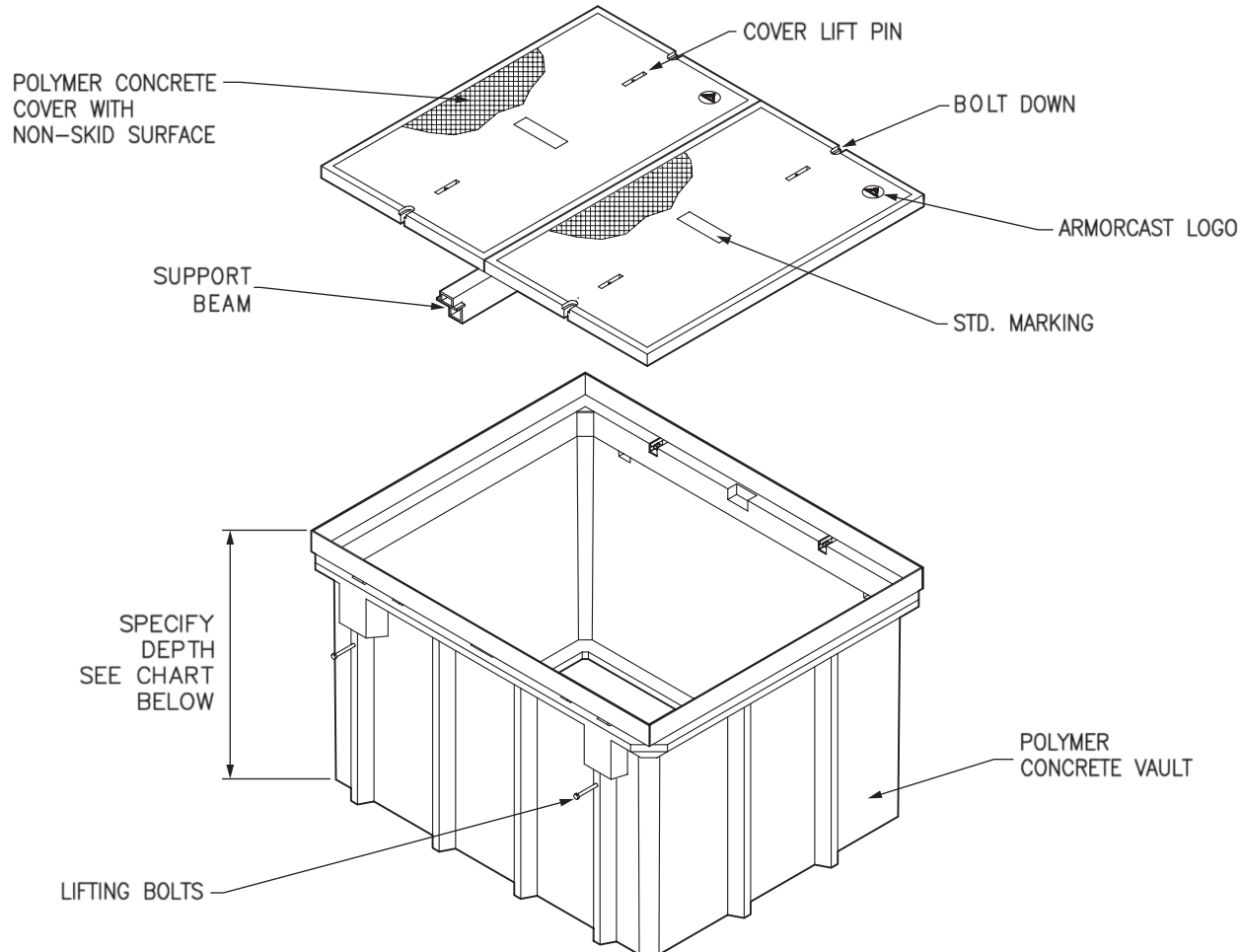
## 36" & 48" DEPTH



**POLYMER CONCRETE**

**ARMORCAST PRODUCTS COMPANY**

A6001447



### 48"W x 60"L VAULT ASSEMBLY Specify Depth Below

DESCRIPTION	NOMINAL SIZE W x L x D	LOAD RATING	ANSI TIER	PART NUMBER	APPROX. WEIGHT	PALLET QTY.
Vault & Cover Assembly	48" x 60" x 36"	10K	8	A6001447APCX36	1250 lbs.	1
	48" x 60" x 36"	20K	15 / 22	A6001447TAPCX36 / A6001447HDAPCX36	1250 lbs.	1
Vault & Cover Assembly	48" x 60" x 48"	10K	8	A6001447APCX48	1400 lbs.	1
	48" x 60" x 48"	20K	15 / 22	A6001447TAPCX48 / A6001447HDAPCX48	1400 lbs.	1

### COMPONENTS

DESCRIPTION	NOMINAL SIZE W x L x D	LOAD RATING	ANSI TIER	PART NUMBER	APPROX. WEIGHT	PALLET QTY.
Replacement Covers	48" x 60" 2 pc.	10K	8	A6001454	212 lbs.	10
	48" x 60" 2 pc.	20K	15 / 22	A6001454T / A6001454HD	212 lbs.	10
Replacement Vaults	48" x 60" x 36"	10K / 20K	22	A6001447PCX36	650 lbs.	1
	48" x 60" x 48"	10K / 20K	22	A6001447PCX48	800 lbs.	1

- Vaults are Open Bottom, also available with Split Base or Solid Bottoms.
- For sizes not shown please contact Armorcast Products for more information.

[www.armorcastprod.com](http://www.armorcastprod.com)

Tel: (818) 982-3600 Fax: (818) 982-7742

POLYMER CONCRETE  
VAULTS & MANHOLES



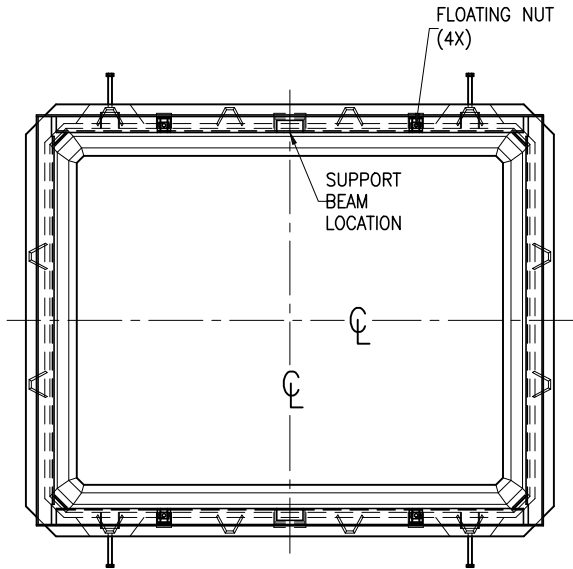
ARMORCAST PRODUCTS COMPANY

# 48" x 60" VAULT ASSEMBLY

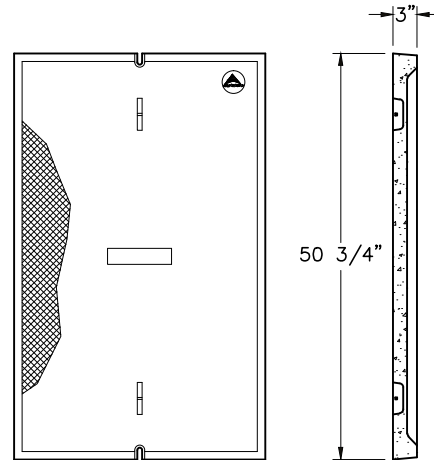
## STANDARD DIMENSIONS

POLYMER CONCRETE

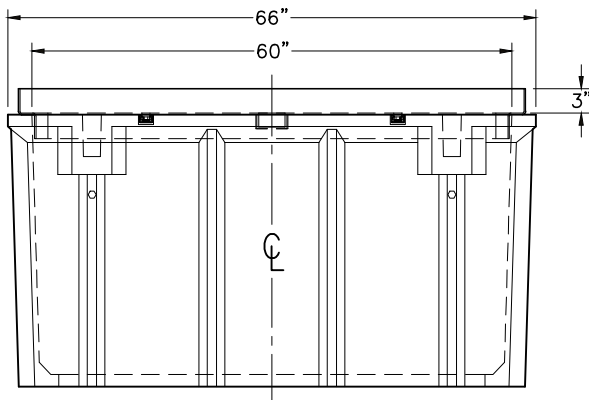
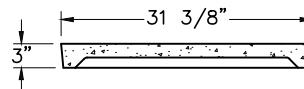
A6001447



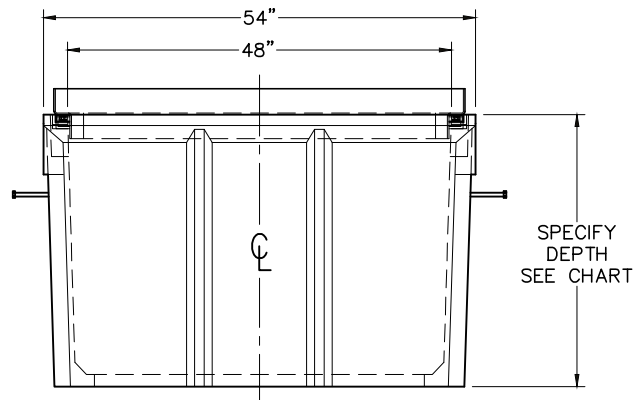
TOP VIEW



2 PIECE COVER  
POLYMER CONCRETE COVER



SIDE VIEW



END VIEW

POLYMER CONCRETE  
VAULTS & MANHOLE

Armorcast Products Company reserves the right to update or discontinue product information at any time without notice.

[www.armorcastprod.com](http://www.armorcastprod.com)

Tel: (818) 982-3600 Fax: (818) 982-7742