

48" x 48" FRP VAULT ASSEMBLY

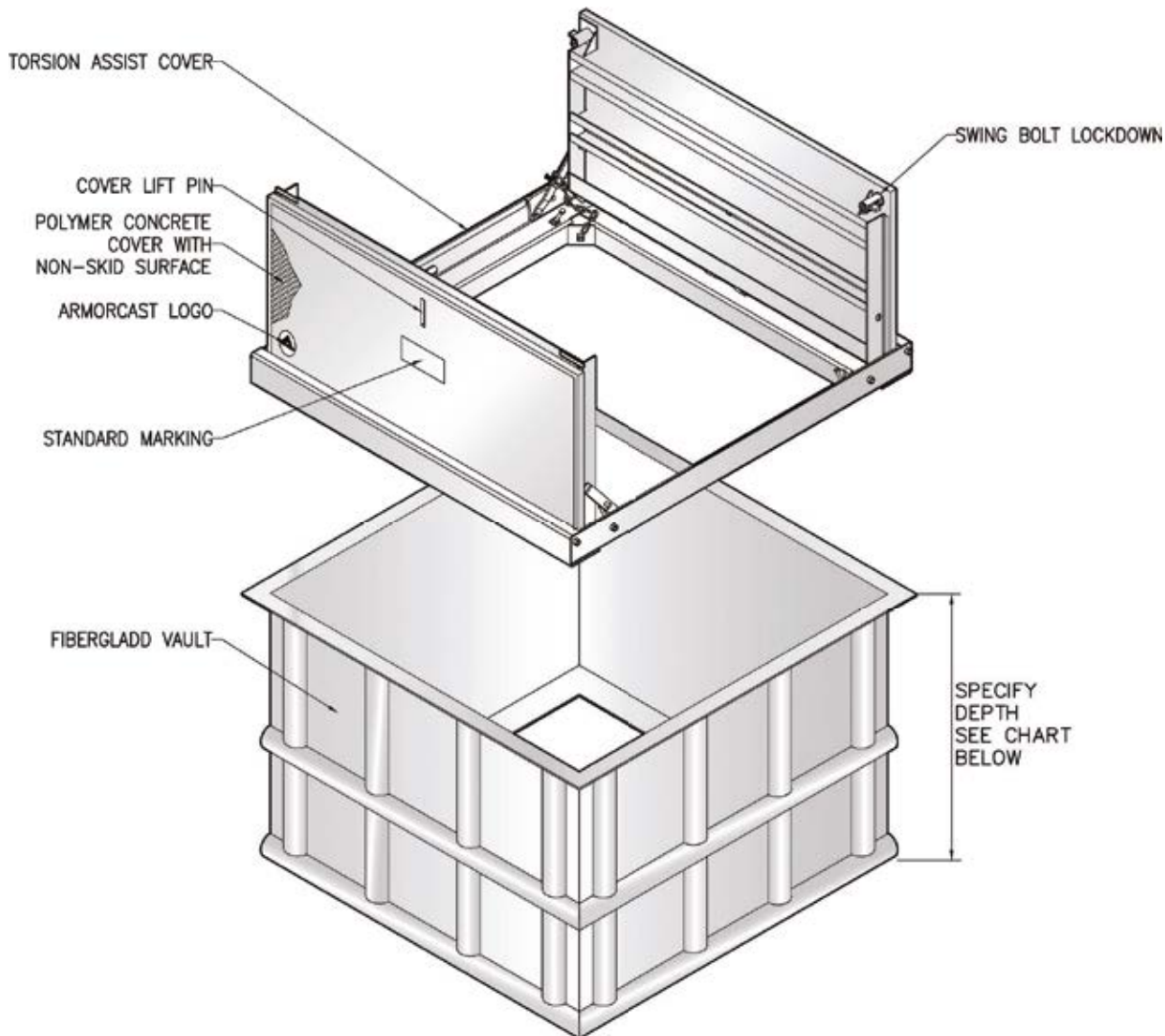
18" to 48" DEPTHS / TORSION ASSIST



FIBERGLASS

ARMORCAST PRODUCTS COMPANY

A6001440MT



48"W x 48"L FRP VAULT ASSEMBLIES Specify Depth Below

DESCRIPTION	NOMINAL SIZE W x L x D	LOAD RATING	ANSI TIER	PART NUMBER	APPROX. WEIGHT	PALLET QTY.
Vault & Cover Assembly	48" x 48" x 18"	10K	8	A6001440AX18MT	580 lbs.	1
	48" x 48" x 18"	20K	15	A6001440TAX18MT	580 lbs.	1
Vault & Cover Assembly	48" x 48" x 24"	10K	8	A6001440AX24MT	610 lbs.	1
	48" x 48" x 24"	20K	15	A6001440TAX24MT	610 lbs.	1
Vault & Cover Assembly	48" x 48" x 36"	10K	8	A6001440AX36MT	640 lbs.	1
	48" x 48" x 36"	20K	15	A6001440TAX36MT	640 lbs.	1
Vault & Cover Assembly	48" x 48" x 48"	10K	8	A6001440AX48MT	680 lbs.	1
	48" x 48" x 48"	20K	15	A6001440TAX48MT	680 lbs.	1

- Vaults are Open Bottom. Also available with Solid Bottoms.
- For sizes not shown please contact Armorcast Products for more information



48" x 48" FRP VAULT ASSEMBLY

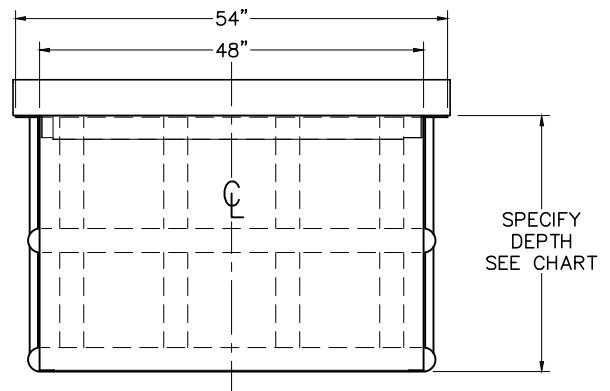
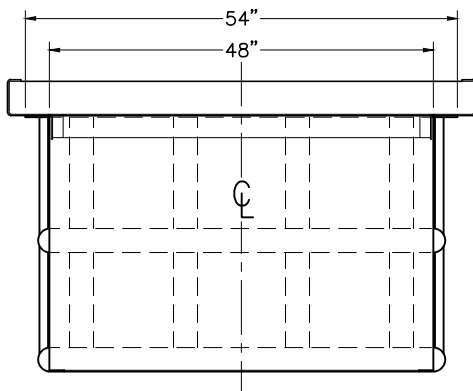
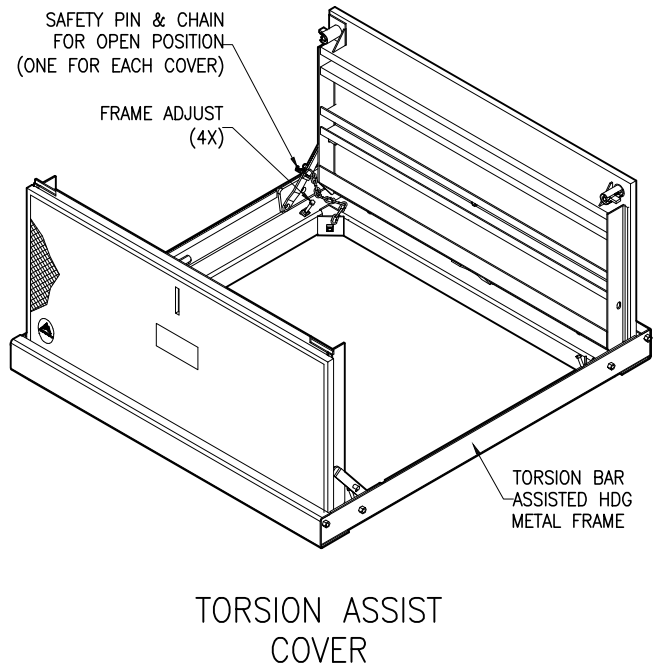
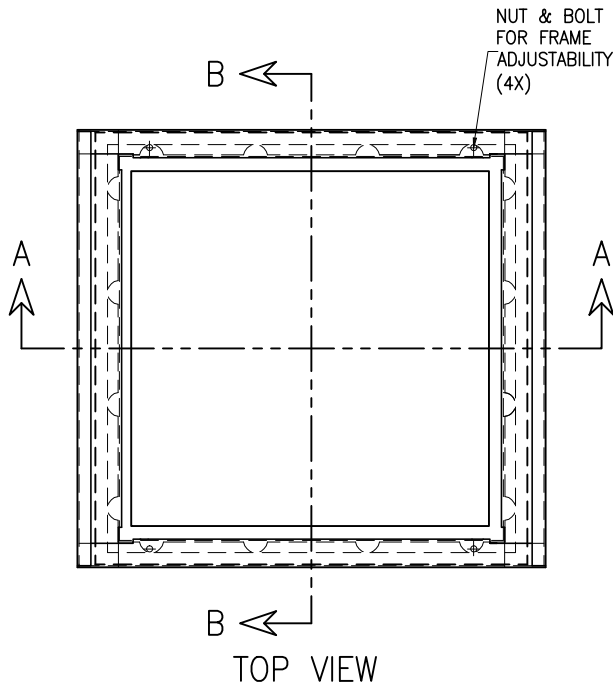
STANDARD DIMENSIONS / TORSION ASSIST

ARMORCAST PRODUCTS COMPANY

FIBERGLASS

A6001440MT

FIBERGLASS
VAULT & MANHOLE



Armorcast Products Company reserves the right to update or discontinue product information at any time without notice.

www.armorcastprod.com

Tel: (818) 982-3600 Fax: (818) 982-7742