

# 48" x 48" VAULT ASSEMBLY

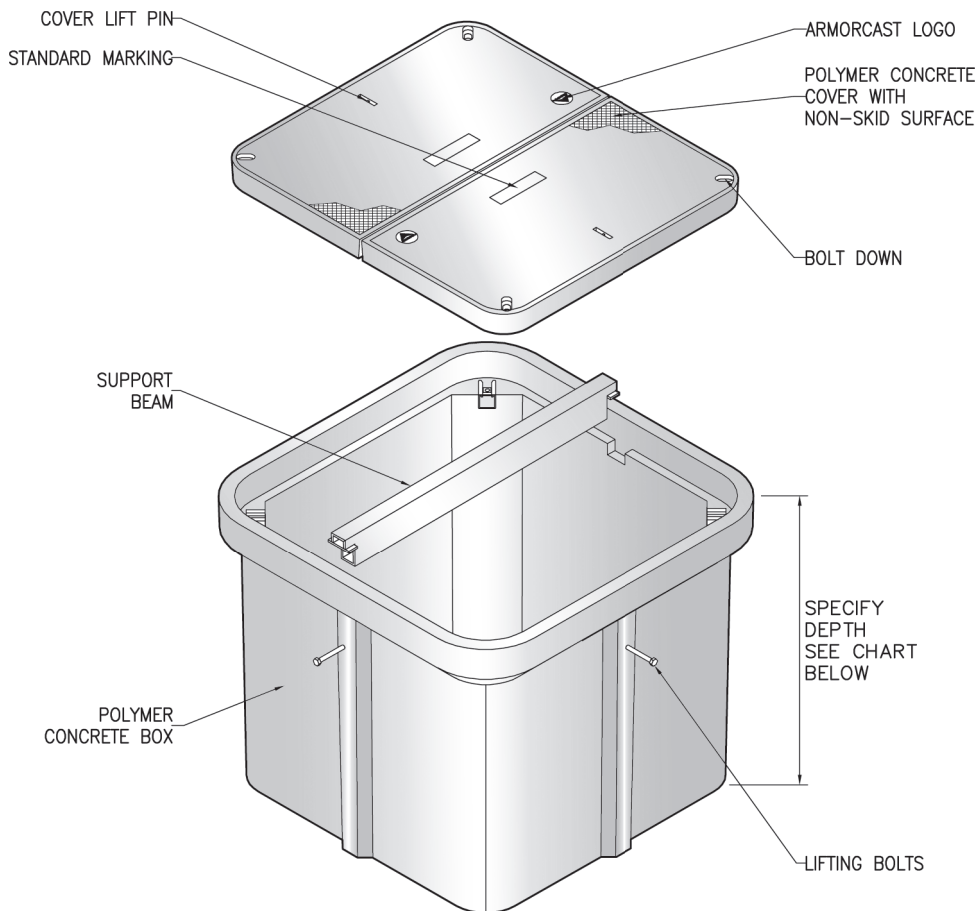
## 36" & 48" DEPTHS



**POLYMER CONCRETE**

**ARMORCAST PRODUCTS COMPANY**

A6001433



### 48"W x 48"L VAULT ASSEMBLIES Specify Depth Below

DESCRIPTION	NOMINAL SIZE W x L x D	LOAD RATING	ANSI TIER	PART NUMBER	APPROX. WEIGHT	PALLET QTY.
Vault & Cover Assembly	48" x 48" x 36"	10K	8	A6001433APCX36	740 lbs.	1
	48" x 48" x 36"	20K	15 / 22	A6001433TAPCX36 / A6001433HDAPCX36	740 lbs.	1
Vault & Cover Assembly	48" x 48" x 48"	10K	8	A6001433APCX48	855 lbs.	1
	48" x 48" x 48"	20K	15 / 22	A6001433TAPCX48 / A6001433HDAPCX48	855 lbs.	1

### COMPONENTS

DESCRIPTION	NOMINAL SIZE W x L x D	LOAD RATING	ANSI TIER	PART NUMBER	APPROX. WEIGHT	PALLET QTY.
Replacement Covers	48" x 48" 2 pc.	10K	8	A6001434	163 lbs.	20
	48" x 48" 2 pc.	20K	15 / 22	A6001434T / A6001434HD	163 lbs.	20
Replacement Boxes	48" x 48" x 36"	10K / 20K	22	A6001433PCX36	415 lbs.	1
	48" x 48" x 48"	10K / 20K	22	A6001433PCX48	525 lbs.	1
Extension	48" x 48" x 6"	10K / 20K	22	A6001433PCX6	180 lbs.	5
Extension	48" x 48" x 9"	10K / 20K	22	A6001433PCX12	300 lbs.	5

- Vaults are Open Bottom, also available with Split Base or Solid Bottoms.
- For sizes not shown please contact Armorcast Products for more information.

THIS PRODUCT IS LISTED TO APPLICABLE UL STANDARDS AND REQUIREMENTS BY UL.

[www.armorcastprod.com](http://www.armorcastprod.com)

Tel: (818) 982-3600 Fax: (818) 982-7742



ARMORCAST PRODUCTS COMPANY

# 48" x 48" VAULT ASSEMBLY

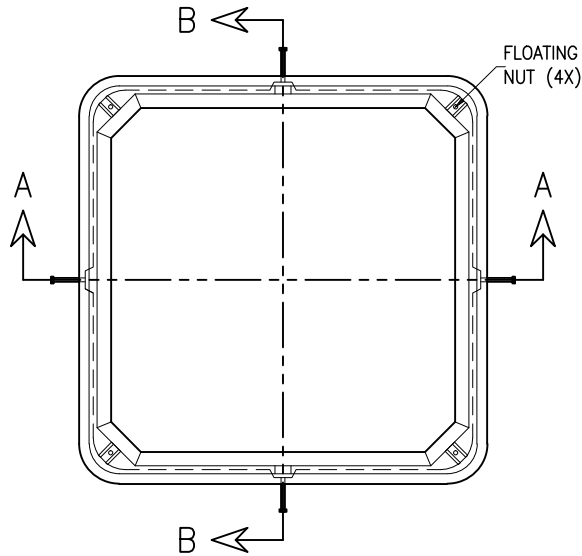
## STANDARD DIMENSIONS

POLYMER CONCRETE

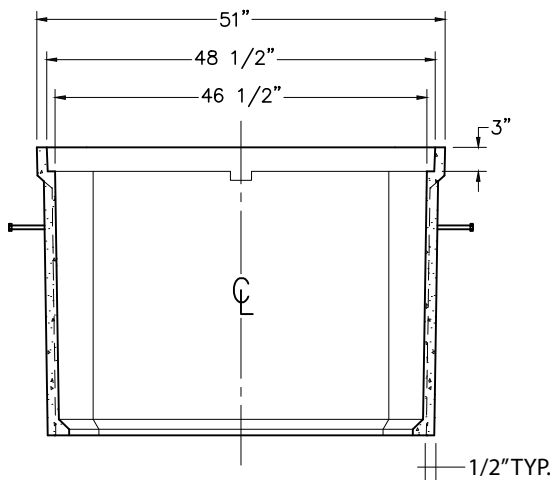
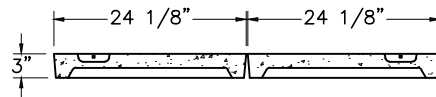
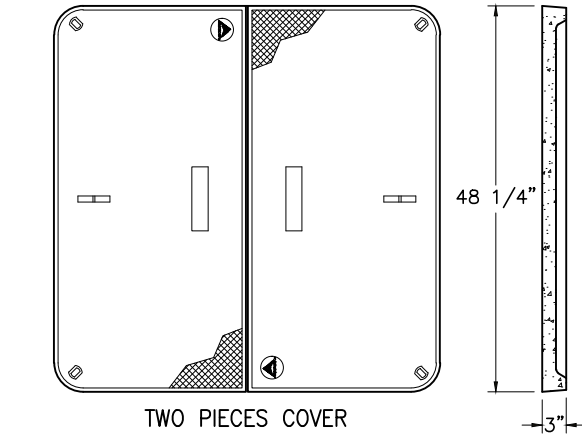
A6001433



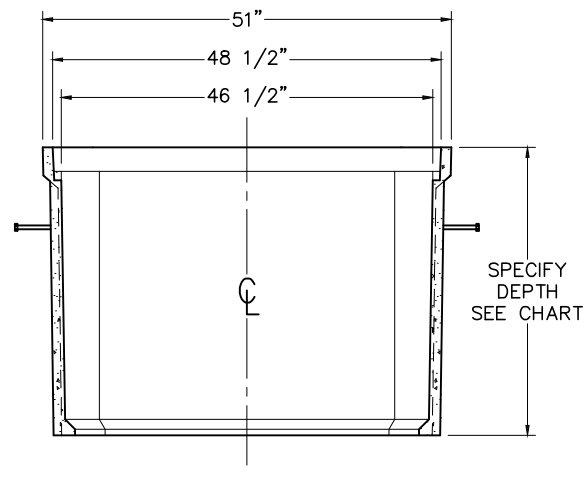
FILE #E364252



PLAN VIEW



SECTION A-A



SECTION B-B

POLYMER CONCRETE VAULTS & MANHOLE

Armorcast Products Company reserves the right to update or discontinue product information at any time without notice.

THIS PRODUCT IS LISTED TO APPLICABLE UL STANDARDS AND REQUIREMENTS BY UL.

[www.armorcastprod.com](http://www.armorcastprod.com)

Tel: (818) 982-3600 Fax: (818) 982-7742