

48" x 48" MANHOLE ASSEMBLY

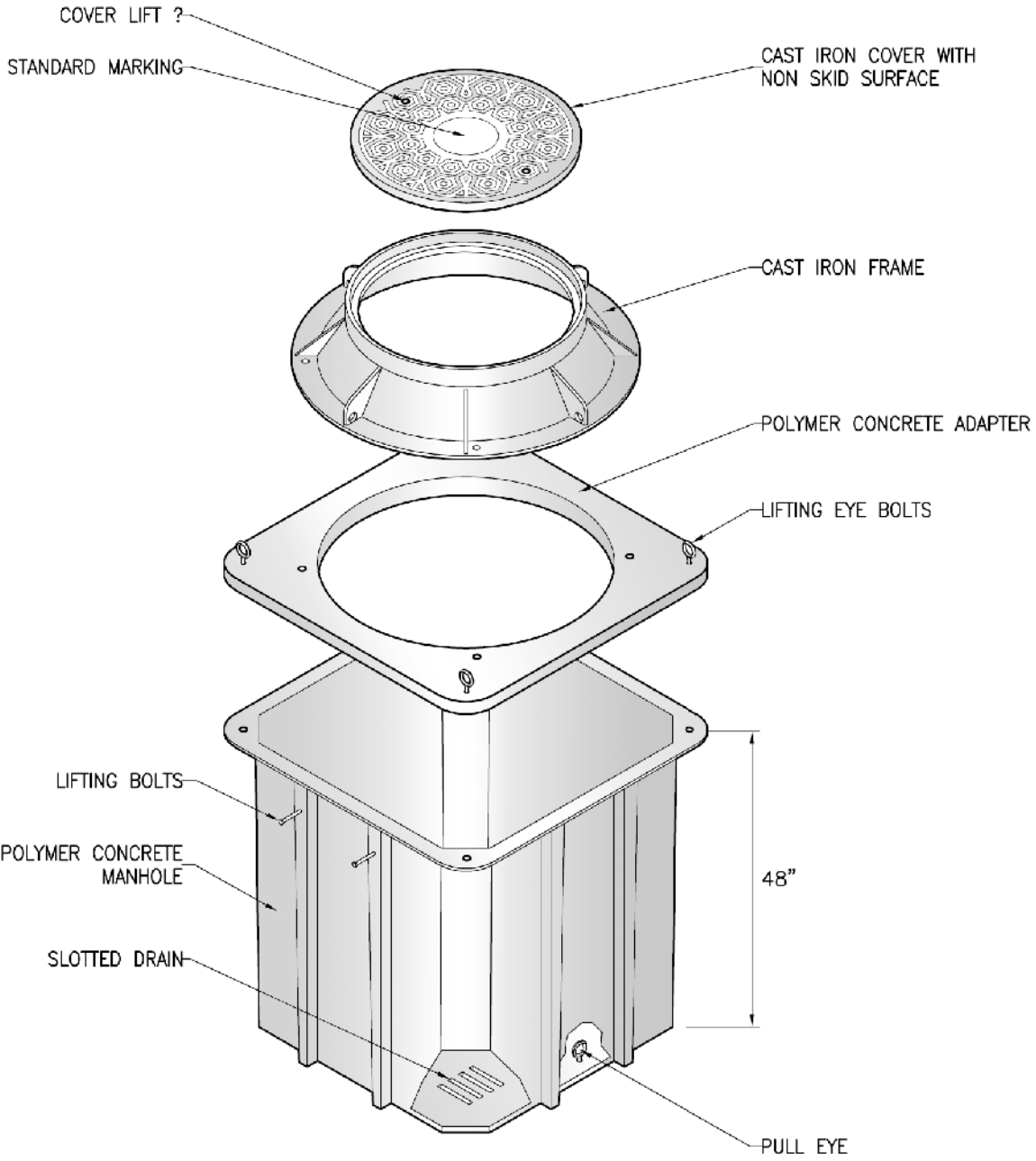
48" DEPTH



POLYMER CONCRETE

ARMORCAST PRODUCTS COMPANY

A6000514H



POLYMER CONCRETE VAULTS & MANHOLES

48"W x 48"L MANHOLE ASSEMBLY Specify Depth Below

DESCRIPTION	NOMINAL SIZE W x L x D	LOAD RATING	ANSI TIER	PART NUMBER	APPROX. WEIGHT	PALLET QTY.
Manhole & Cover Assembly	48" x 48" x 48"	H20	-	A6000514HTAP48B	1420 lbs.	1

- Solid Bottom and includes Cast Iron Ring & Cover
- For sizes not shown please contact Armorcast Products for more information.



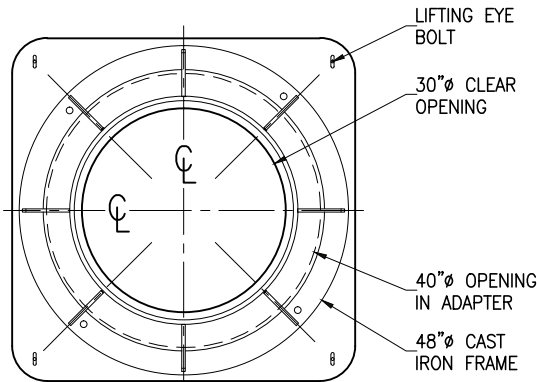
48" x 48" MANHOLE ASSEMBLY

STANDARD DIMENSIONS

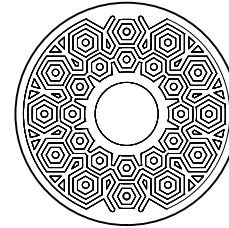
ARMORCAST PRODUCTS COMPANY

POLYMER CONCRETE

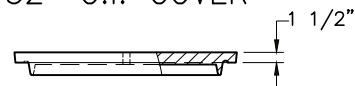
A6000514H



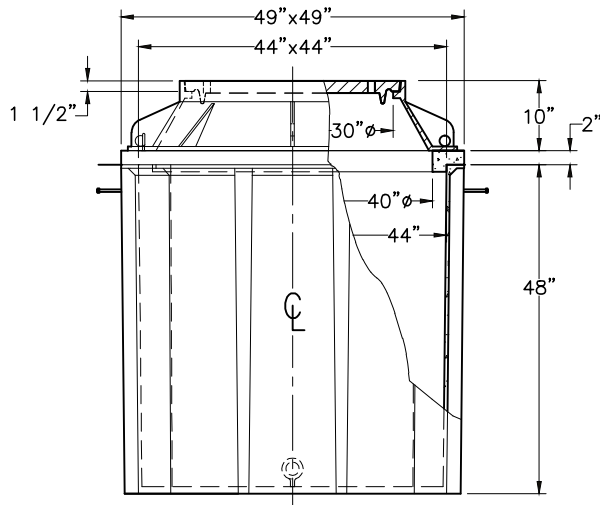
TOP VIEW



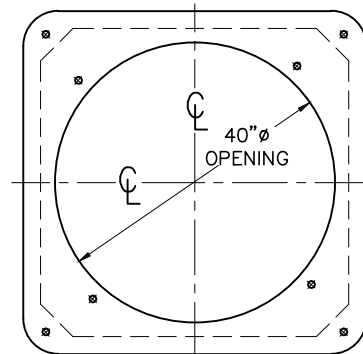
TOP VIEW
32" C.I. COVER



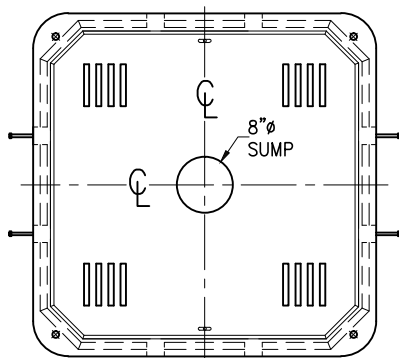
SECTION - C.I. COVER



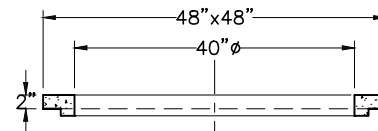
SIDE/END VIEW



TOP VIEW
POLYMER CONCRETE ADAPTER



TOP VIEW
POLYMER CONCRETE MANHOLE



SECTION -
POLYMER CONCRETE ADAPTER

Armorcast Products Company reserves the right to update or discontinue product information at any time without notice.

www.armorcastprod.com

Tel: (818) 982-3600 Fax: (818) 982-7742

POLYMER CONCRETE
VAULTS & MANHOLE