

# 36" x 60" VAULT ASSEMBLY

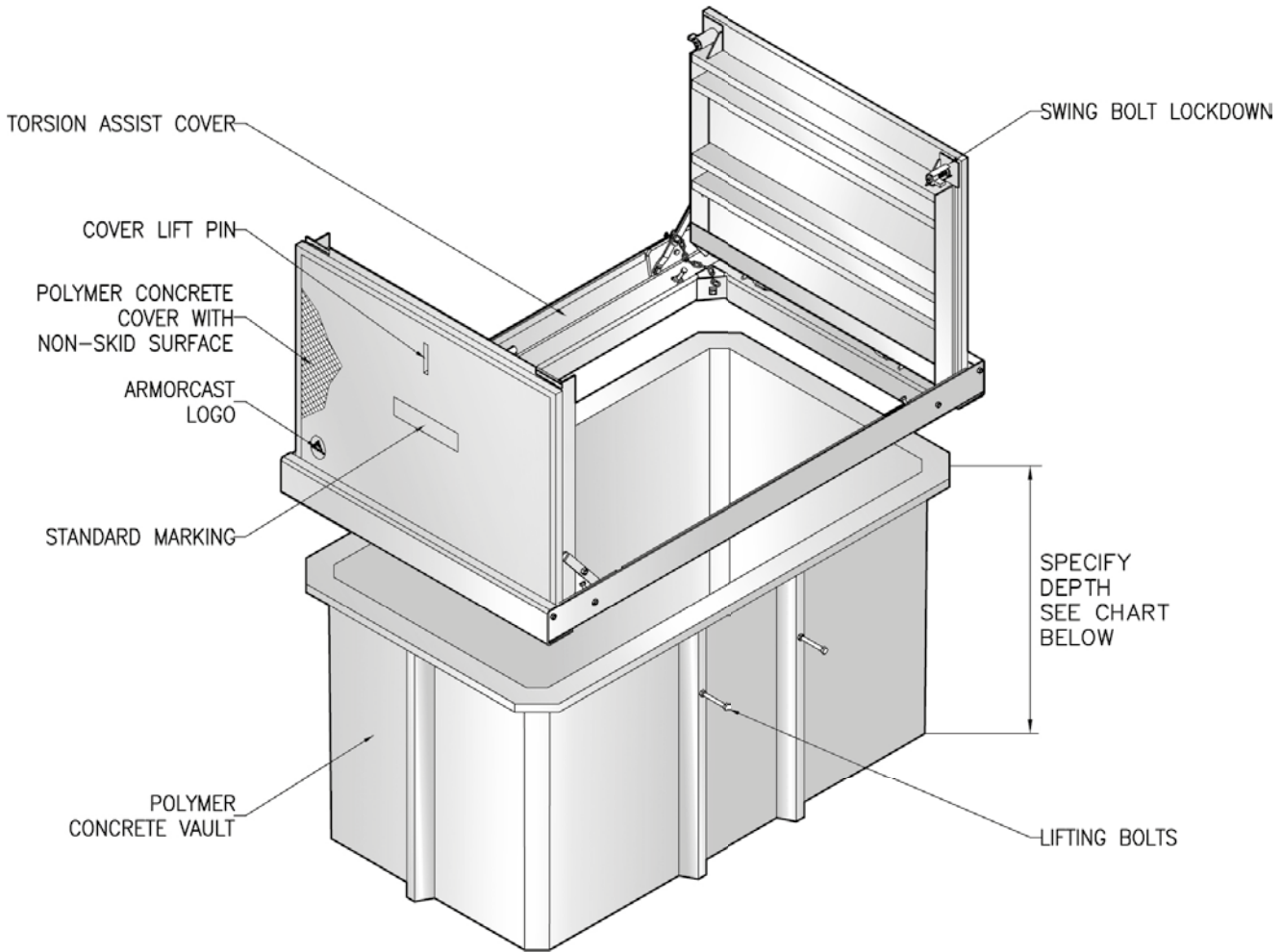
## TORSION ASSIST 24" to 48" DEPTHS



**POLYMER CONCRETE**

**ARMORCAST PRODUCTS COMPANY**

**A6001833MT**



**POLYMER CONCRETE VAULTS & MANHOLES**

### 36"W x 60"L VAULT ASSEMBLIES / TORSION ASSIST COVER Specify Depth Below

DESCRIPTION	NOMINAL SIZE W x L x D	LOAD RATING	ANSI TIER	PART NUMBER	APPROX. WEIGHT	PALLET QTY.
Vault & Cover Assembly	36" x 60" x 24"	20K	15 / 22	A6001833TAX24MT / A6001833HDAX24MT	870 lbs.	1
	36" x 60" x 36"	20K	15 / 22	A6001833TAX36MT / A6001833HDAX36MT	990 lbs.	1
	36" x 60" x 48"	20K	15 / 22	A6001833TAX48MT / A6001833HDAX48MT	1100 lbs.	1

- Vaults are Open Bottom, also available with Split Base or Solid Bottoms.
- For sizes not shown please contact Armorcast Products for more information.

[www.armorcastprod.com](http://www.armorcastprod.com)

Tel: (818) 982-3600 Fax: (818) 982-7742



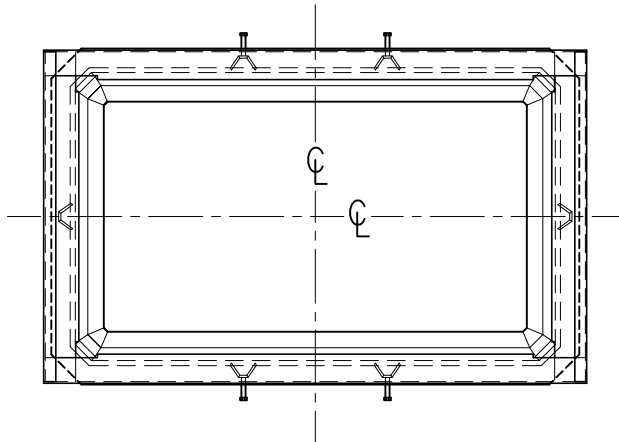
# 36" x 60" VAULT ASSEMBLY

## STANDARD DIMENSIONS / TORSION ASSIST

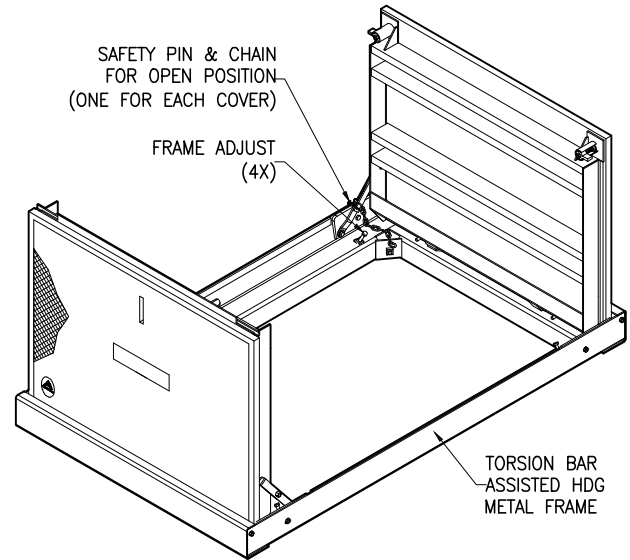
ARMORCAST PRODUCTS COMPANY

POLYMER CONCRETE

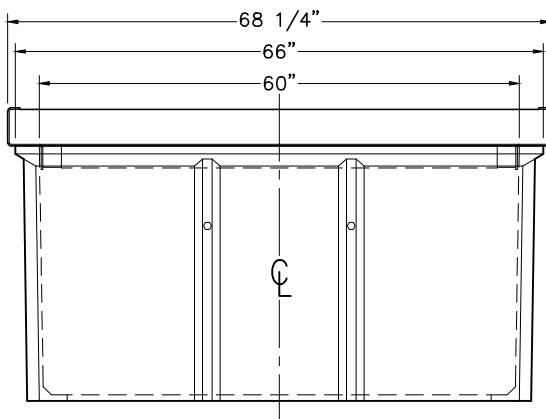
A6001833MT



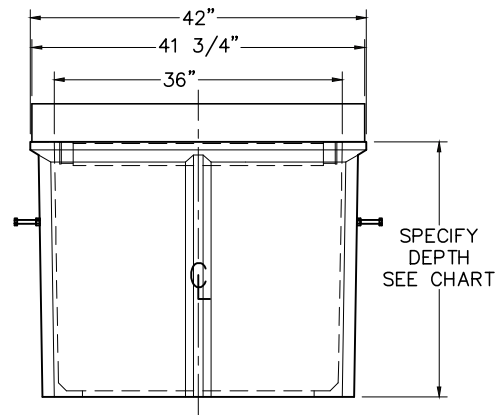
TOP VIEW



TORSION ASSIST COVER



SIDE VIEW



END VIEW

POLYMER CONCRETE  
VAULTS & MANHOLE

Armorcast Products Company reserves the right to update or discontinue product information at any time without notice.

[www.armorcastprod.com](http://www.armorcastprod.com)

Tel: (818) 982-3600 Fax: (818) 982-7742