

# 36" x 60" VAULT ASSEMBLY

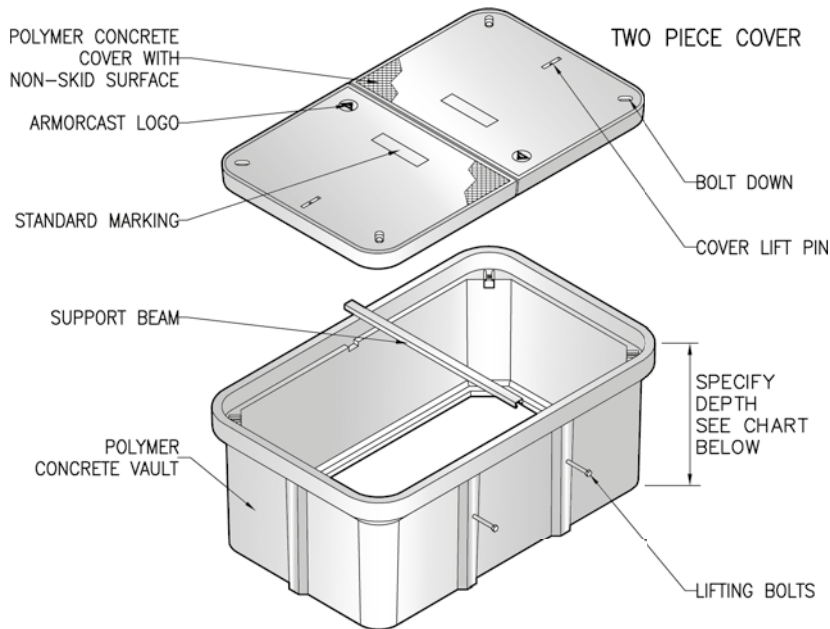
## 12" to 48" DEPTHS



**POLYMER CONCRETE**

**ARMORCAST PRODUCTS COMPANY**

A6001436



### 36"W x 60"L VAULT ASSEMBLIES Specify Depth Below

DESCRIPTION	NOMINAL SIZE W x L x D	LOAD RATING	ANSI TIER	PART NUMBER	APPROX. WEIGHT	PALLET QTY.
Vault & Cover Assembly	36" x 60" x 12"	10K	8	A6001436APCX12	499 lbs.	5
	36" x 60" x 12"	20K	15 / 22	A6001436TAPCX12 / A6001436HDAPCX12	499 lbs.	5
Vault & Cover Assembly	36" x 60" x 18"	10K	8	A6001436APCX18	560 lbs.	2
	36" x 60" x 18"	20K	15 / 22	A6001436TAPCX18 / A6001436HDAPCX18	560 lbs.	2
Vault & Cover Assembly	36" x 60" x 24"	10K	8	A6001436APCX24	620 lbs.	3
	36" x 60" x 24"	20K	15 / 22	A6001436TAPCX24 / A6001436HDAPCX24	620 lbs.	3
Vault & Cover Assembly	36" x 60" x 30"	10K	8	A6001436APCX30	680 lbs.	1
	36" x 60" x 30"	20K	15 / 22	A6001436TAPCX30 / A6001436HDAPCX30	680 lbs.	1
Vault & Cover Assembly	36" x 60" x 36"	10K	8	A6001436APCX36	820 lbs.	1
	36" x 60" x 36"	20K	15 / 22	A6001436TAPCX36 / A6001436HDAPCX36	820 lbs.	1
Vault & Cover Assembly	36" x 60" x 48"	10K	8	A6001436APCX48	895 lbs.	1
	36" x 60" x 48"	20K	15 / 22	A6001436TAPCX48 / A6001436HDAPCX48	895 lbs.	1

### COMPONENTS

DESCRIPTION	NOMINAL SIZE W x L x D	LOAD RATING	ANSI TIER	PART NUMBER	APPROX. WEIGHT	PALLET QTY.
Replacement Covers	36" x 60" - 2 pc.	10K	8	A6001457 (2 pc. Req.)	147 lbs.	20
	36" x 60" - 2 pc.	20K	15 / 22	A6001457T / A6001457HD (2 pc. Req.)	147 lbs.	20
Replacement Vaults	36" x 60" x 12"	10K / 20K	22	A6001436PCX12	205 lbs.	5
	36" x 60" x 18"	10K / 20K	22	A6001436PCX18	265 lbs.	2
	36" x 60" x 24"	10K / 20K	22	A6001436PCX24	325 lbs.	2
	36" x 60" x 30"	10K / 20K	22	A6001436PCX30	385 lbs.	1
	36" x 60" x 36"	10K / 20K	22	A6001436PCX36	525 lbs.	1
	36" x 60" x 48"	10K / 20K	22	A6001436PCX48	600 lbs.	1
Extension	36" x 60" x 6"	10K / 20K	22	A6001436PCX6	167 lbs.	5

- Vaults are Open Bottom, and Stackable. Also available with Split Base or Solid Bottoms
- For sizes not shown please contact Armorcast Products for more information

THIS PRODUCT IS LISTED TO APPLICABLE UL STANDARDS AND REQUIREMENTS BY UL.

[www.armorcastprod.com](http://www.armorcastprod.com)

Tel: (818) 982-3600 Fax: (818) 982-7742

POLYMER CONCRETE VAULTS & MANHOLES



# 36" x 60" VAULT ASSEMBLY

## STANDARD DIMENSIONS

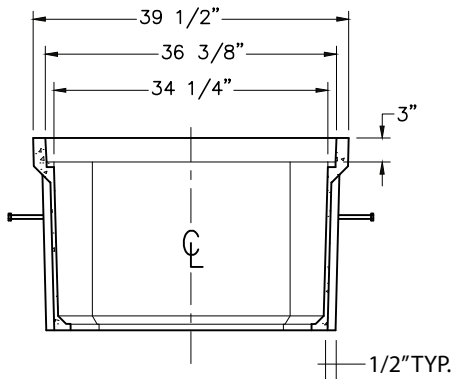
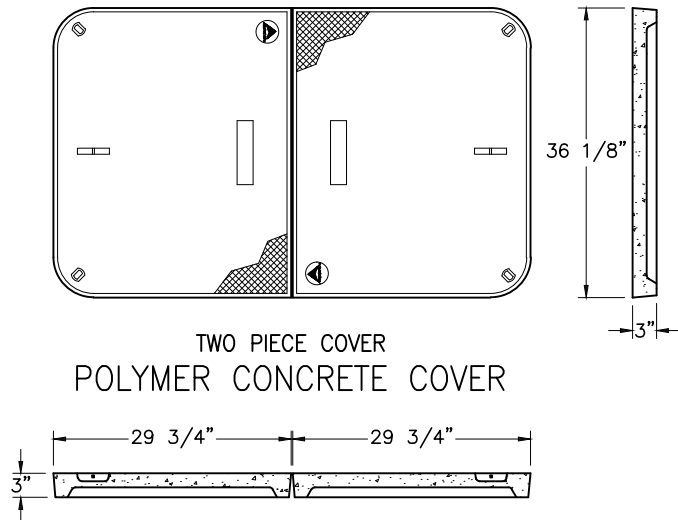
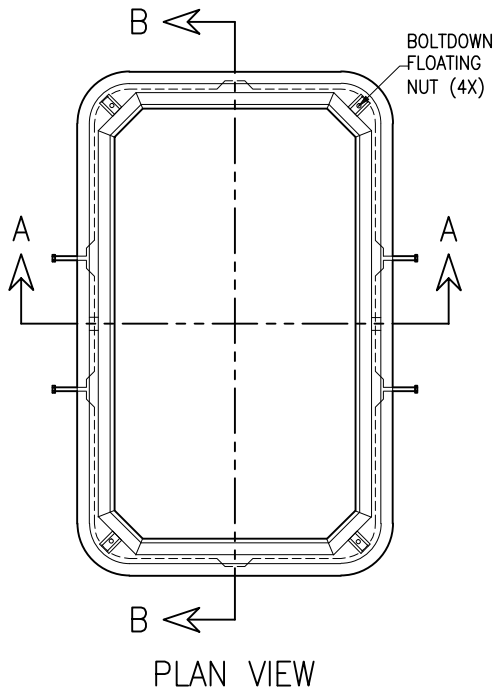
ARMORCAST PRODUCTS COMPANY

POLYMER CONCRETE

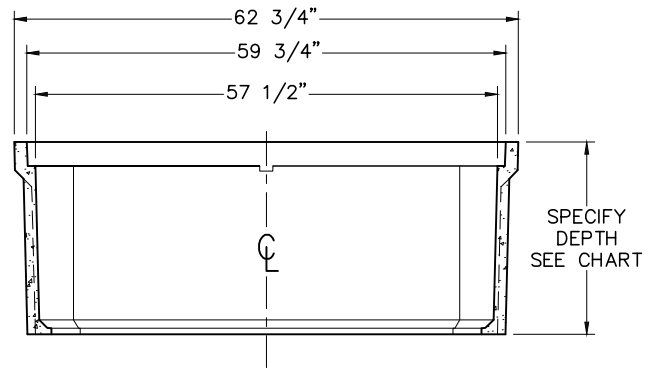
A6001436



FILE #E364252



SECTION A-A



SECTION B-B

POLYMER CONCRETE  
VAULTS & MANHOLE

Armorcast Products Company reserves the right to update or discontinue product information at any time without notice.

THIS PRODUCT IS LISTED TO APPLICABLE UL STANDARDS AND REQUIREMENTS BY UL.

[www.armorcastprod.com](http://www.armorcastprod.com)

Tel: (818) 982-3600 Fax: (818) 982-7742