

36" x 60" MANHOLE ASSEMBLY

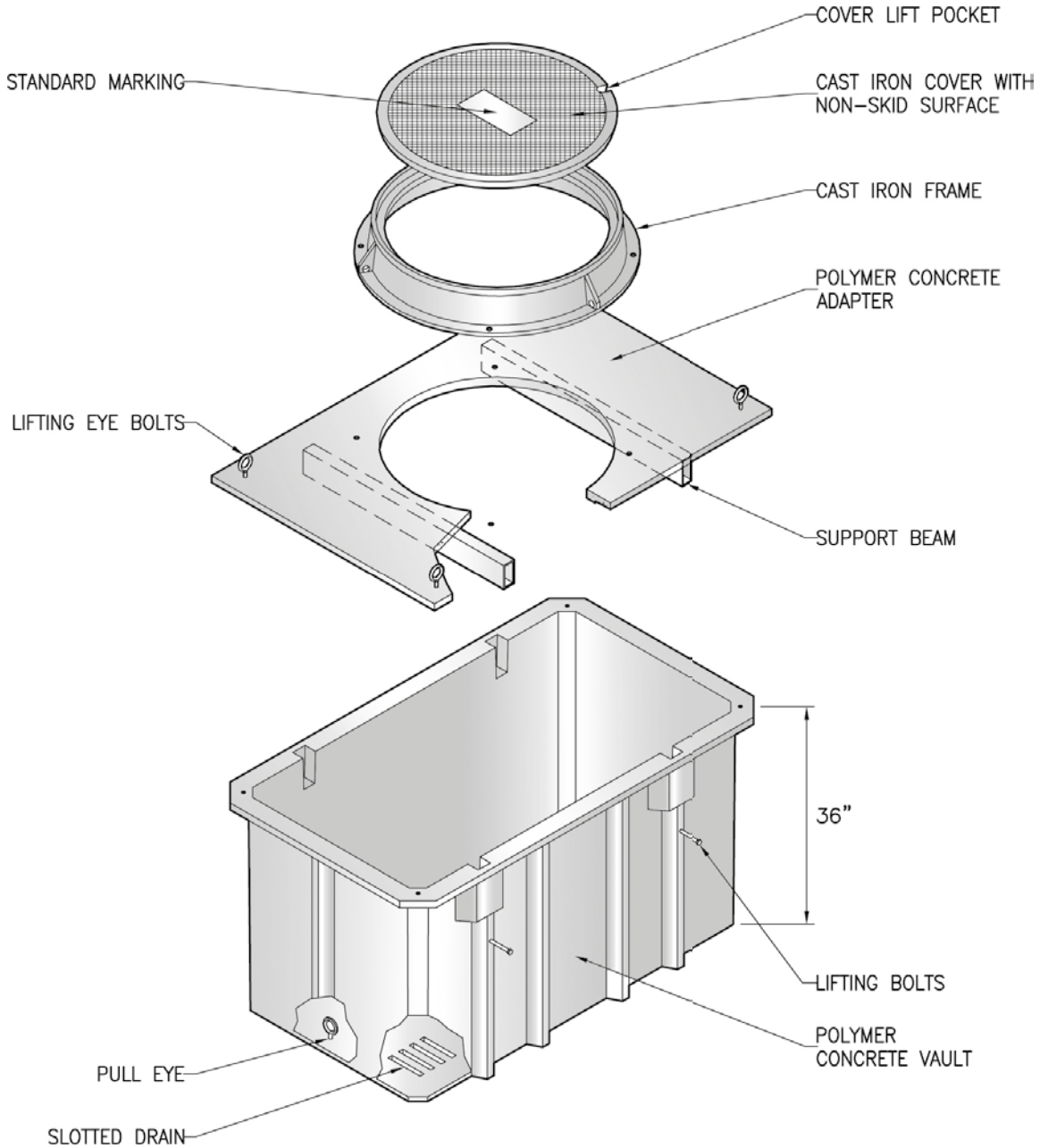
36" DEPTH



POLYMER CONCRETE

ARMORCAST PRODUCTS COMPANY

A6001833H



POLYMER CONCRETE VAULTS & MANHOLES

36"W x 60"L MANHOLE ASSEMBLIES Specify Depth Below

DESCRIPTION	NOMINAL SIZE W x L x D	LOAD RATING	ANSI TIER	PART NUMBER	APPROX. WEIGHT	PALLET QTY.
Manhole & Cover Assembly	36" x 60" x 36"	H20	-	A6001833HTAX36B	1275 lbs.	1

- Solid Bottom and includes Cast Iron Ring & Cover
- For sizes not shown please contact Armorcast Products for more information.



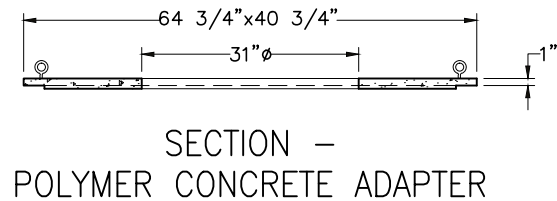
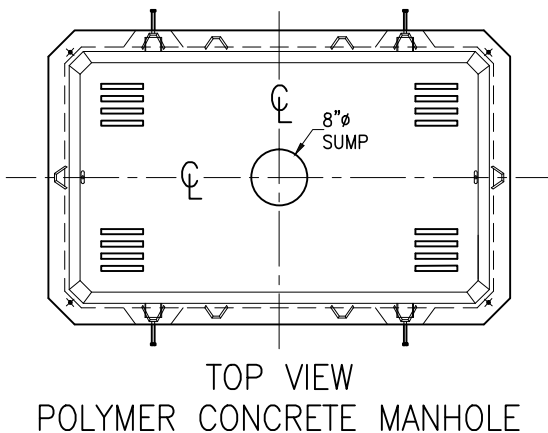
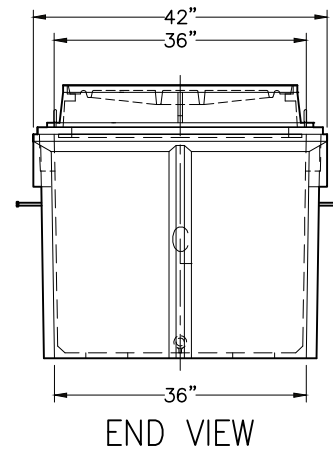
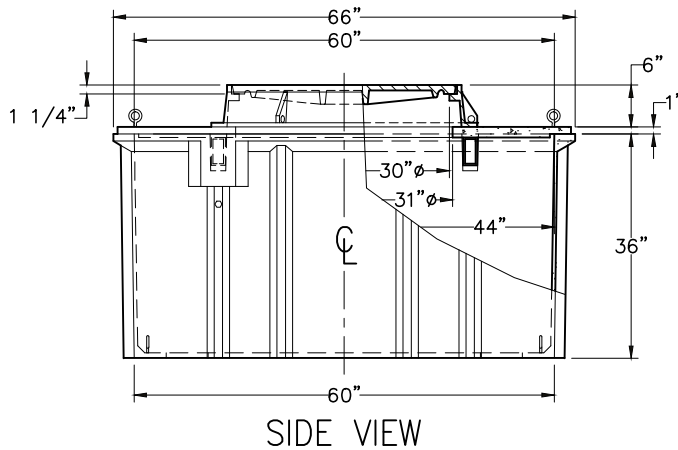
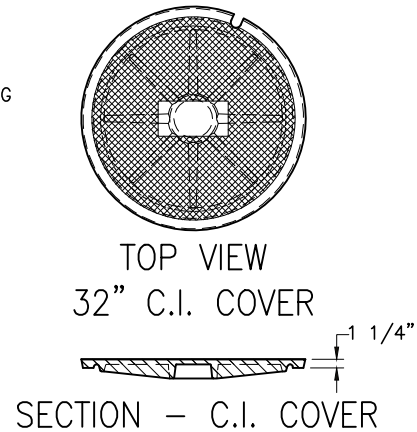
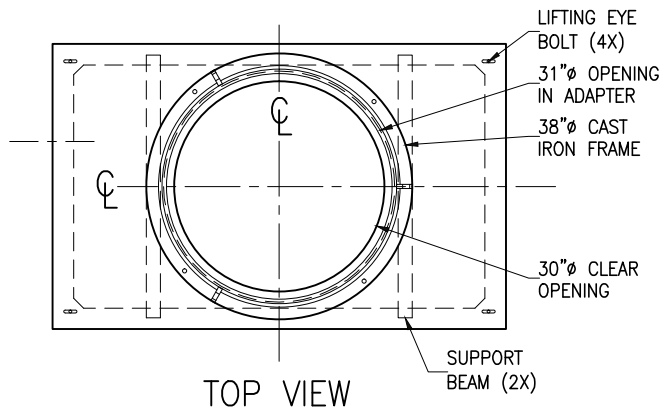
36" x 60" MANHOLE ASSEMBLY

STANDARD DIMENSIONS

ARMORCAST PRODUCTS COMPANY

POLYMER CONCRETE

A6001833H



Armorcast Products Company reserves the right to update or discontinue product information at any time without notice.

www.armorcastprod.com

Tel: (818) 982-3600 Fax: (818) 982-7742

POLYMER CONCRETE
VAULTS & MANHOLE