

36" x 36" VAULT ASSEMBLY

36" DEPTH



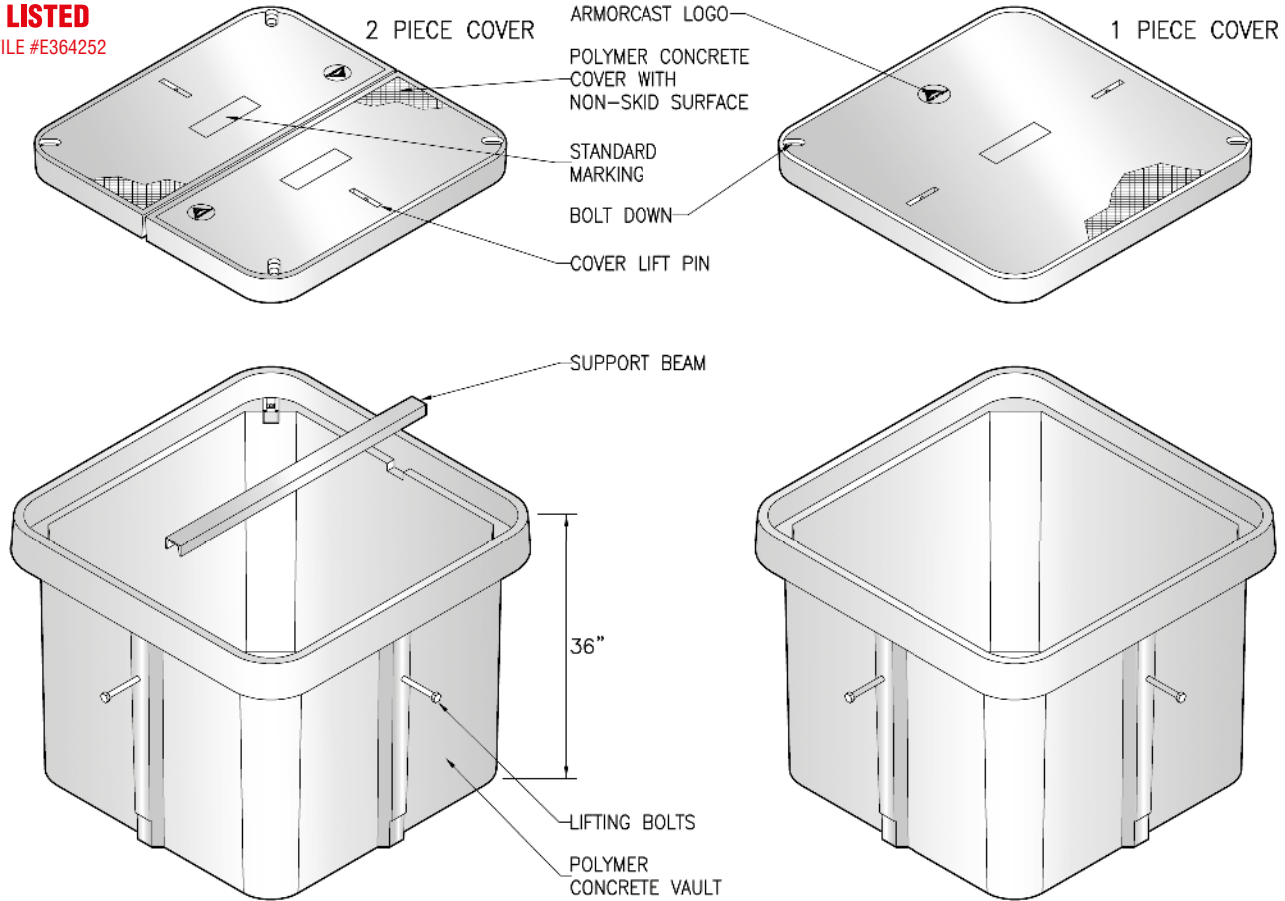
POLYMER CONCRETE

ARMORCAST PRODUCTS COMPANY

A6001441



LISTED
FILE #E364252



36"W x 36"L BOX ASSEMBLIES

DESCRIPTION	NOMINAL SIZE W x L x D	LOAD RATING	ANSI TIER	PART NUMBER	APPROX. WEIGHT	PALLET QTY.
Box & Cover Assembly	36" x 36" x 36"	10K	8	A6001441APCX36	510 lbs.	1
	36" x 36" x 36"	20K	15 / 22	A6001441TAPCX36 / A6001441HDAPCX36	510 lbs.	1

COMPONANTS

DESCRIPTION	NOMINAL SIZE W x L x D	LOAD RATING	ANSI TIER	PART NUMBER	APPROX. WEIGHT	PALLET QTY.
Replacement Covers	36" x 36"	10K	8	A6003636-CVR	202 lbs.	10
	36" x 36"	20K	15 / 22	A6003636T-CVR / A6003636HD-CVR	202 lbs.	10
Replacement Covers	36" x 36" - 2 pc.	10K	8	A6001443 (2-pc. Req.)	108 lbs. ea.	20
	36" x 36" - 2 pc.	20K	15 / 22	A6001443T / A6001443HD (2-pc. Req.)	108 lbs. ea.	20
Replacement Box	36" x 36" x 36"	10K / 20	22	A6001441PCX36	306 lbs.	1

- Boxes are Open Bottom and Stackable, also available with Solid Bottoms.
- For sizes not shown please contact Armorcast Products for more information

THIS PRODUCT IS LISTED TO APPLICABLE UL STANDARDS AND REQUIREMENTS BY UL.

www.armorcastprod.com

Tel: (818) 982-3600 Fax: (818) 982-7742



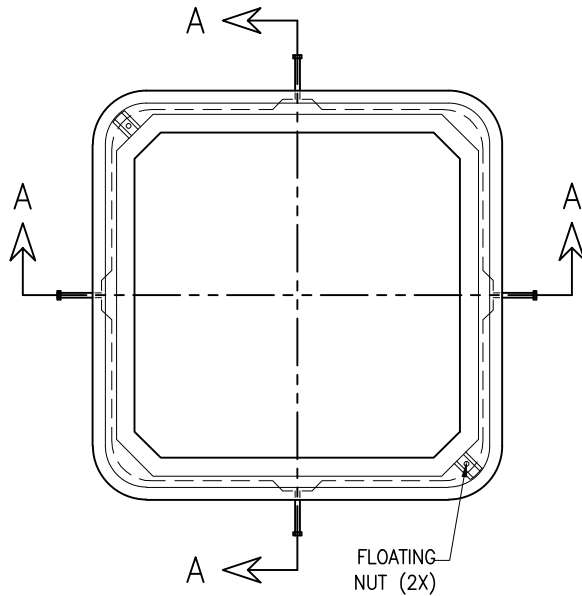
ARMORCAST PRODUCTS COMPANY

36" x 36" VAULT ASSEMBLY

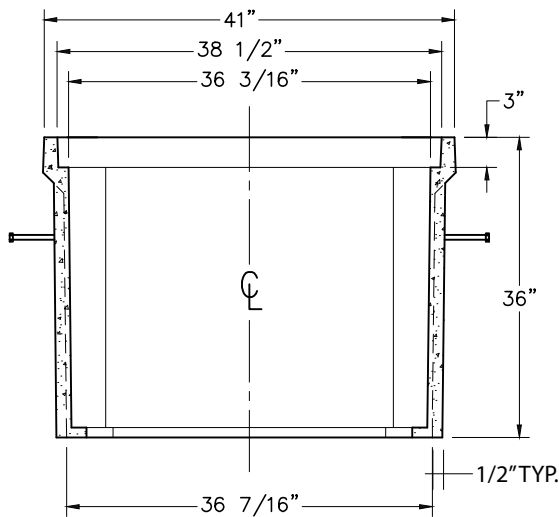
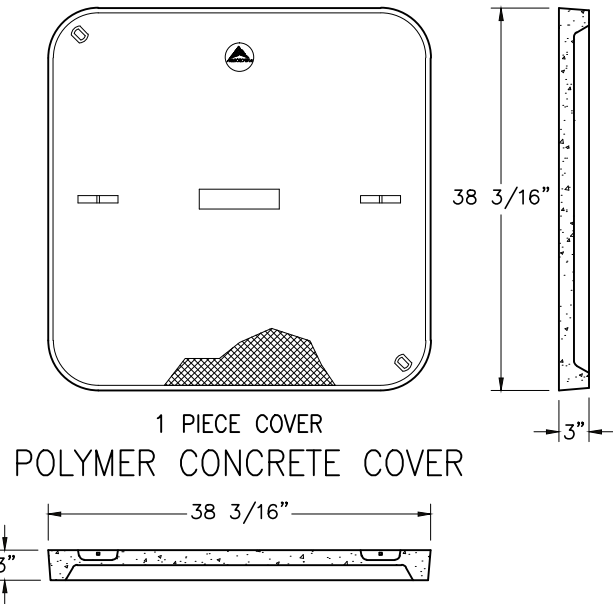
STANDARD DIMENSIONS

POLYMER CONCRETE

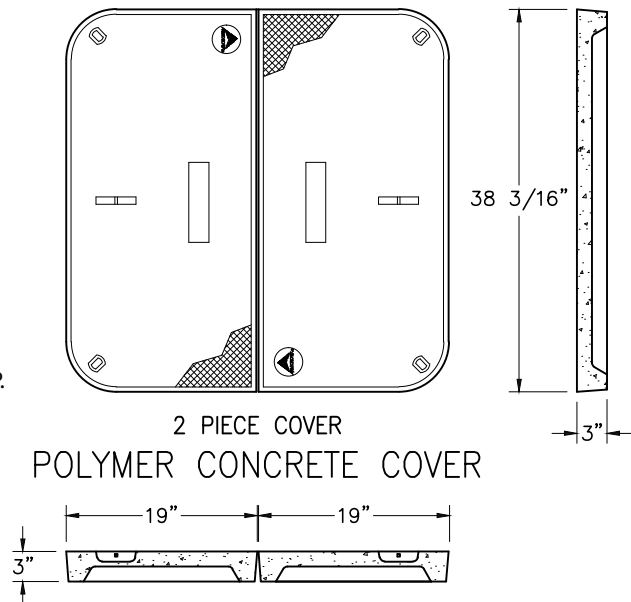
A6001441



PLAN VIEW



SECTION A-A



POLYMER CONCRETE
VAULTS & MANHOLES

Armorcast Products Company reserves the right to update or discontinue product information at any time without notice.

THIS PRODUCT IS LISTED TO APPLICABLE UL STANDARDS AND REQUIREMENTS BY UL.

www.armorcastprod.com

Tel: (818) 982-3600 Fax: (818) 982-7742