

36" x 36" FRP VAULT ASSEMBLY

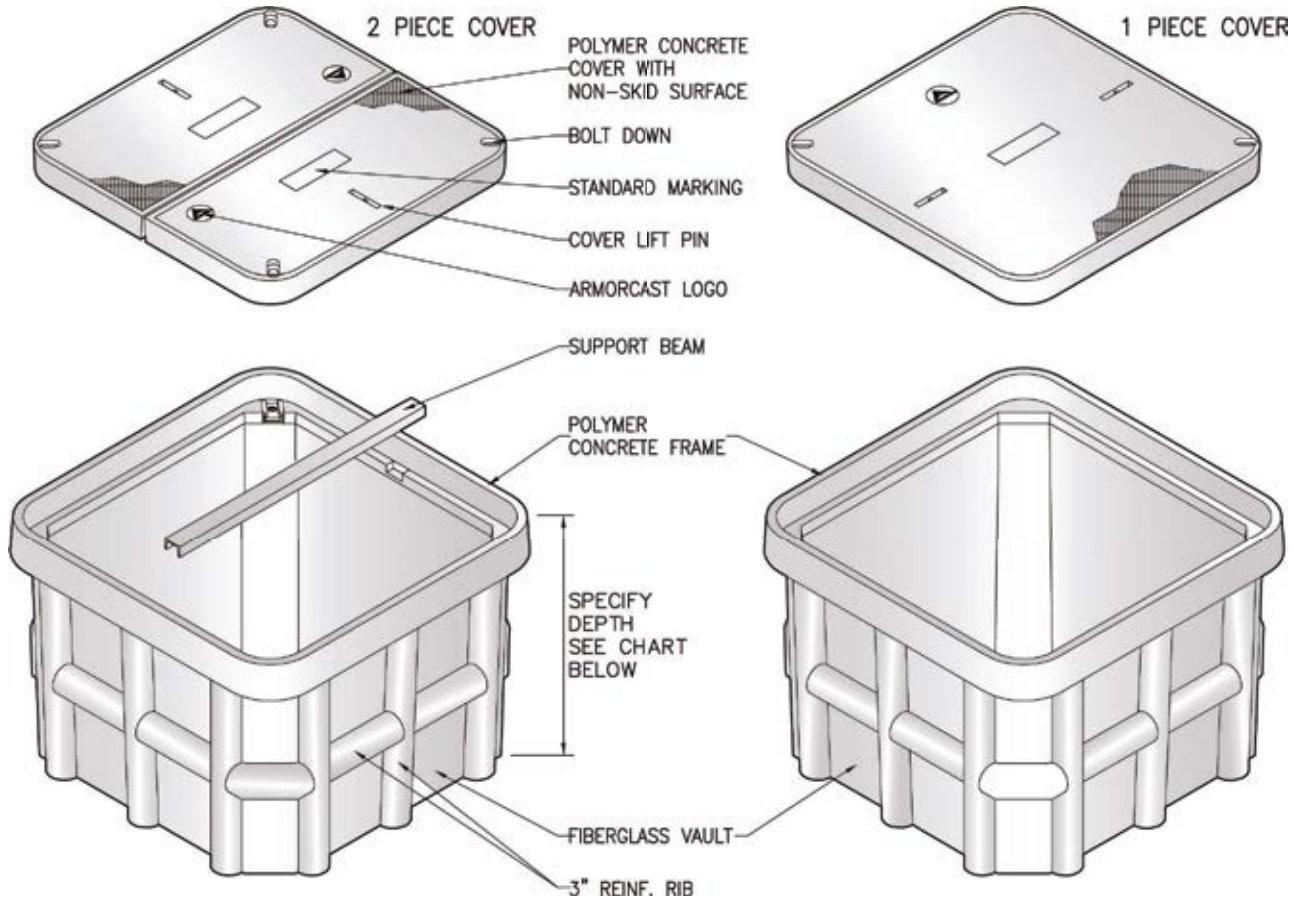
24" to 36" DEPTHS



FIBERGLASS

ARMORCAST PRODUCTS COMPANY

A6001441



36"W x 36"L FRP VAULT ASSEMBLIES Specify Depth Below

| DESCRIPTION | NOMINAL SIZE W x L x D | LOAD RATING | ANSI TIER | PART NUMBER | APPROX. WEIGHT | PALLET QTY. |
|---------------------------|---------------------------|----------------|--------------|---------------|-------------------|----------------|
| Vault & Cover Assembly | 36" x 36" x 24" | 10K | 8 | A6001441AX24 | 360 lbs. | 1 |
| | 36" x 36" x 24" | 20K | 15 | A6001441TAX24 | 360 lbs. | 1 |
| Vault & Cover Assembly | 36" x 36" x 36" | 10K | 8 | A6001441AX36 | 390 lbs. | 1 |
| | 36" x 36" x 36" | 20K | 15 | A6001441TAX36 | 390 lbs. | 1 |

COMPONENTS

| DESCRIPTION | NOMINAL SIZE W x L x D | LOAD RATING | ANSI TIER | PART NUMBER | APPROX. WEIGHT | PALLET QTY. |
|-----------------------|---------------------------|----------------|--------------|---------------|-------------------|----------------|
| Replacement Covers | 36" x 36" - 1 pc. | 10K | 8 | A60013636-CVR | 202 lbs. | 20 |
| | 36" x 36" - 1 pc. | 20K | 15 | A6003636T-CVR | 202 lbs. | 20 |
| Replacement Covers | 36" x 36" - 2 pc. | 10K | 8 | A6001443 | 108 lbs. | 20 |
| | 36" x 36" - 2 pc. | 20K | 15 | A6001443T | 108 lbs. | 20 |
| Replacement Vault | 36" x 36" x 24" | 10K / 20K | 8 / 15 | A6001441X24F | 145 lbs. | 1 |
| | 36" x 36" x 36" | 10K / 20K | 8 / 15 | A6001441X36F | 170 lbs. | 1 |

- Boxes are Open Bottom and Stackable, also available with Solid Bottoms.
- For sizes not shown please contact Armorcast Products for more information

www.armorcastprod.com

Tel: (818) 982-3600 Fax: (818) 982-7742



ARMORCAST PRODUCTS COMPANY

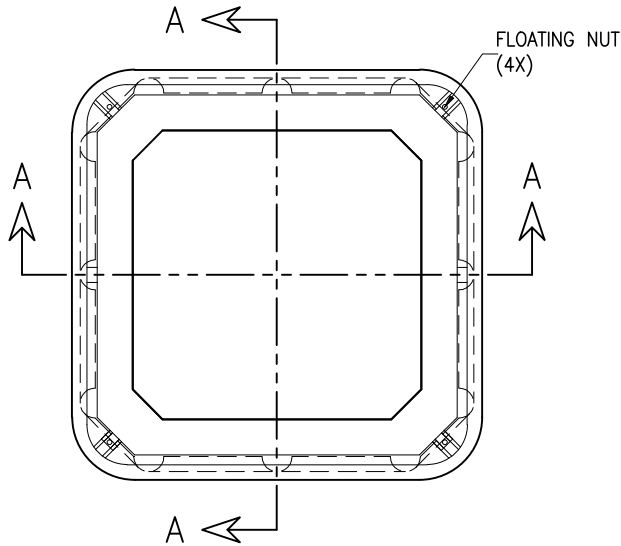
36" x 36" FRP VAULT ASSEMBLY

STANDARD DIMENSIONS

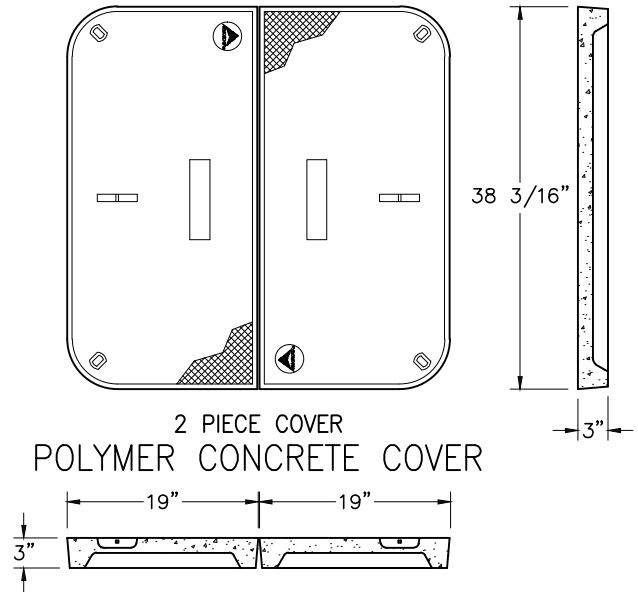
FIBERGLASS

A6001441

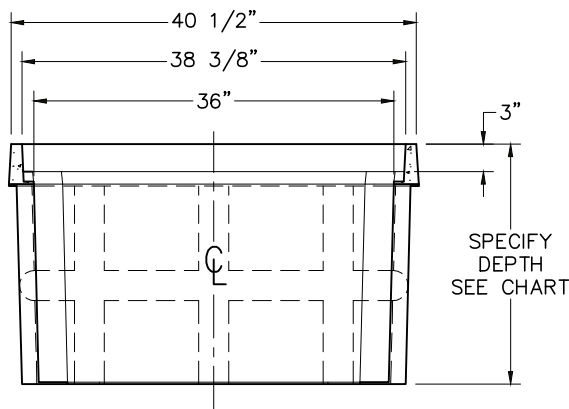
FIBERGLASS
VAULT & MANHOLE



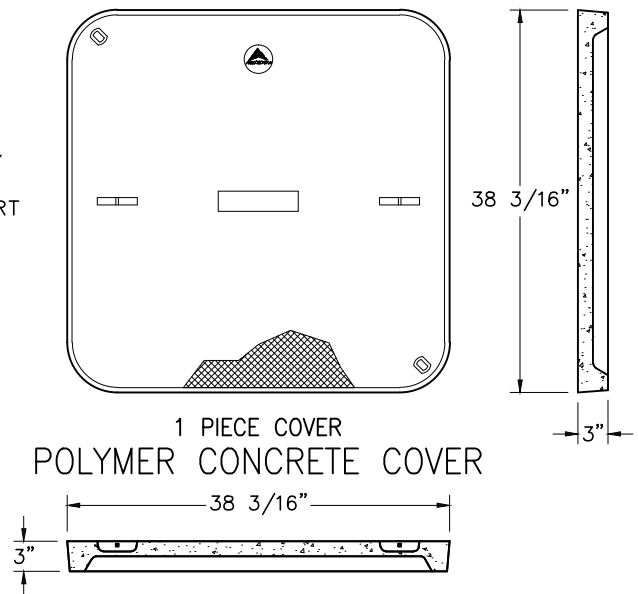
TOP VIEW



2 PIECE COVER
POLYMER CONCRETE COVER



SECTION A-A



1 PIECE COVER
POLYMER CONCRETE COVER

Armorcast Products Company reserves the right to update or discontinue product information at any time without notice.

www.armorcastprod.com

Tel: (818) 982-3600 Fax: (818) 982-7742