

36" x 60" FRP VAULT ASSEMBLY

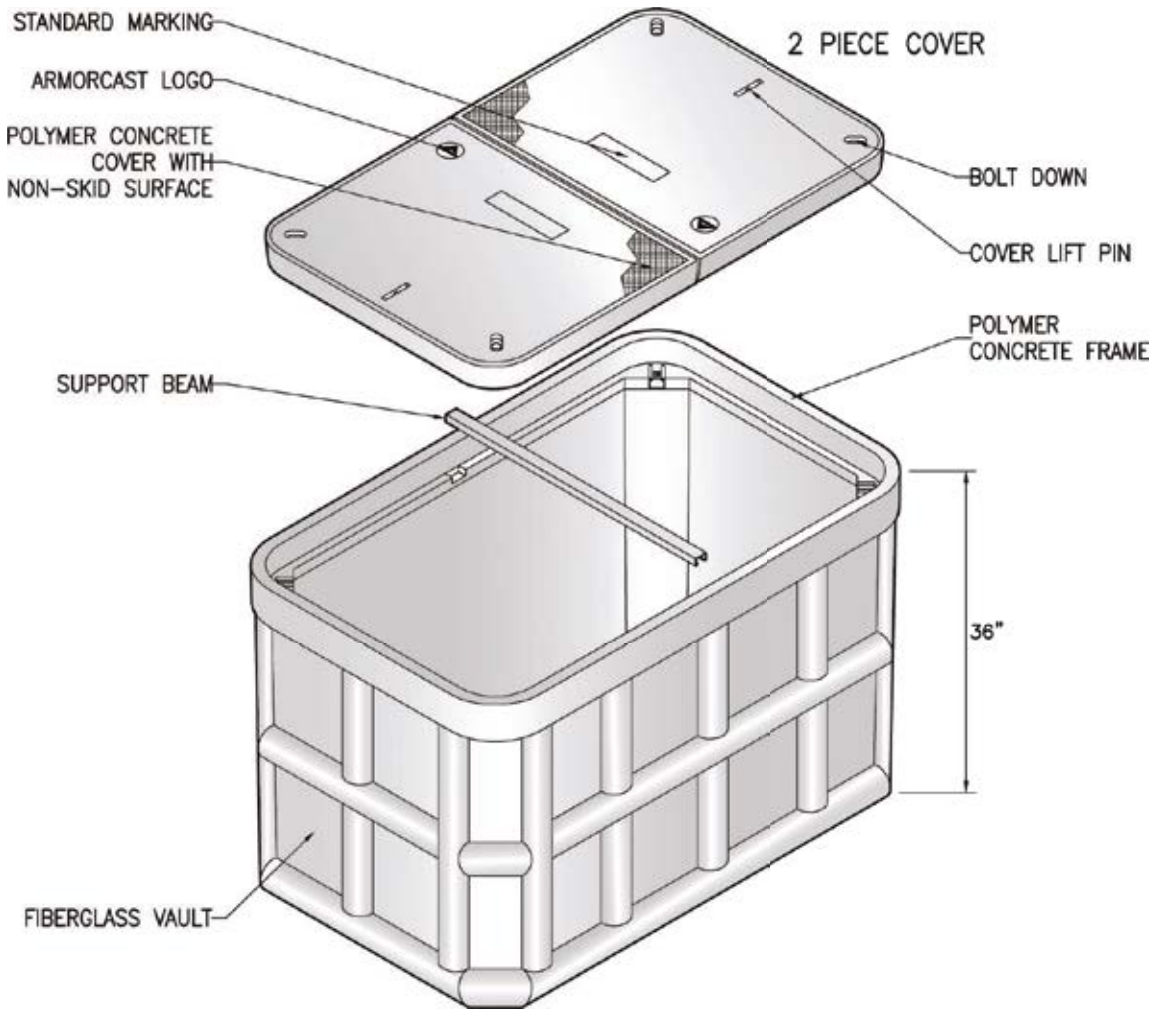
36" DEPTH



FIBERGLASS

ARMORCAST PRODUCTS COMPANY

A6001437



36"W x 60"L FRP VAULT ASSEMBLIES Specify Depth Below

DESCRIPTION	NOMINAL SIZE W x L x D	LOAD RATING	ANSI TIER	PART NUMBER	APPROX. WEIGHT	PALLET QTY.
Vault & Cover Assembly	36" x 60" x 36"	10K	8	A6001437AX36	540 lbs.	1
	36" x 60" x 36"	20K	15	A6001437TAX36	550 lbs.	1

COMPONENTS

DESCRIPTION	NOMINAL SIZE W x L x D	LOAD RATING	ANSI TIER	PART NUMBER	APPROX. WEIGHT	PALLET QTY.
Replacement Covers	36" x 60"	10K	8	A6001457	147 lbs.	10
	36" x 60"	20K	15	A6001457T	150 lbs.	1
Replacement Vaults	36" x 60" x 36"	10K / 20K	8 / 15	A6001437X36F	240 lbs.	1

- Vaults are Open Bottom. Also available with Solid Bottoms.
- For sizes not shown please contact Armorcast Products for more information



36" x 60" FRP VAULT ASSEMBLY

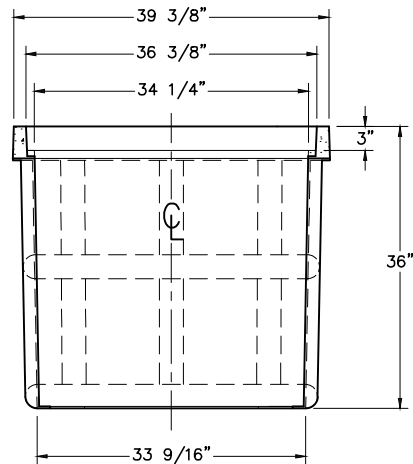
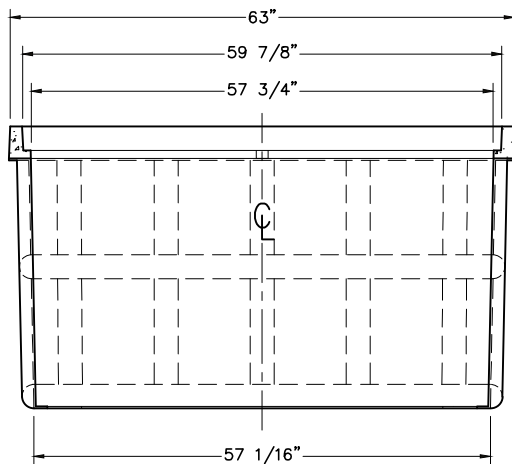
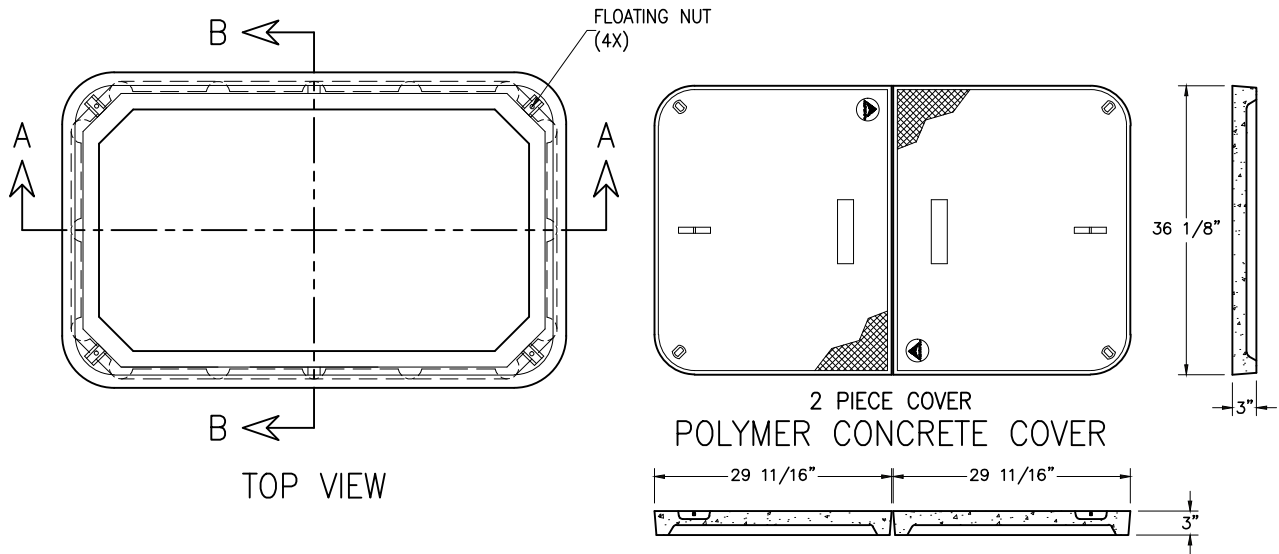
STANDARD DIMENSIONS

ARMORCAST PRODUCTS COMPANY

FIBERGLASS

A6001437

FIBERGLASS
VAULT & MANHOLE



Armorcast Products Company reserves the right to update or discontinue product information at any time without notice.

www.armorcastprod.com

Tel: (818) 982-3600 Fax: (818) 982-7742