

# 32" ROUND VAULT ASSEMBLY

24" & 36"



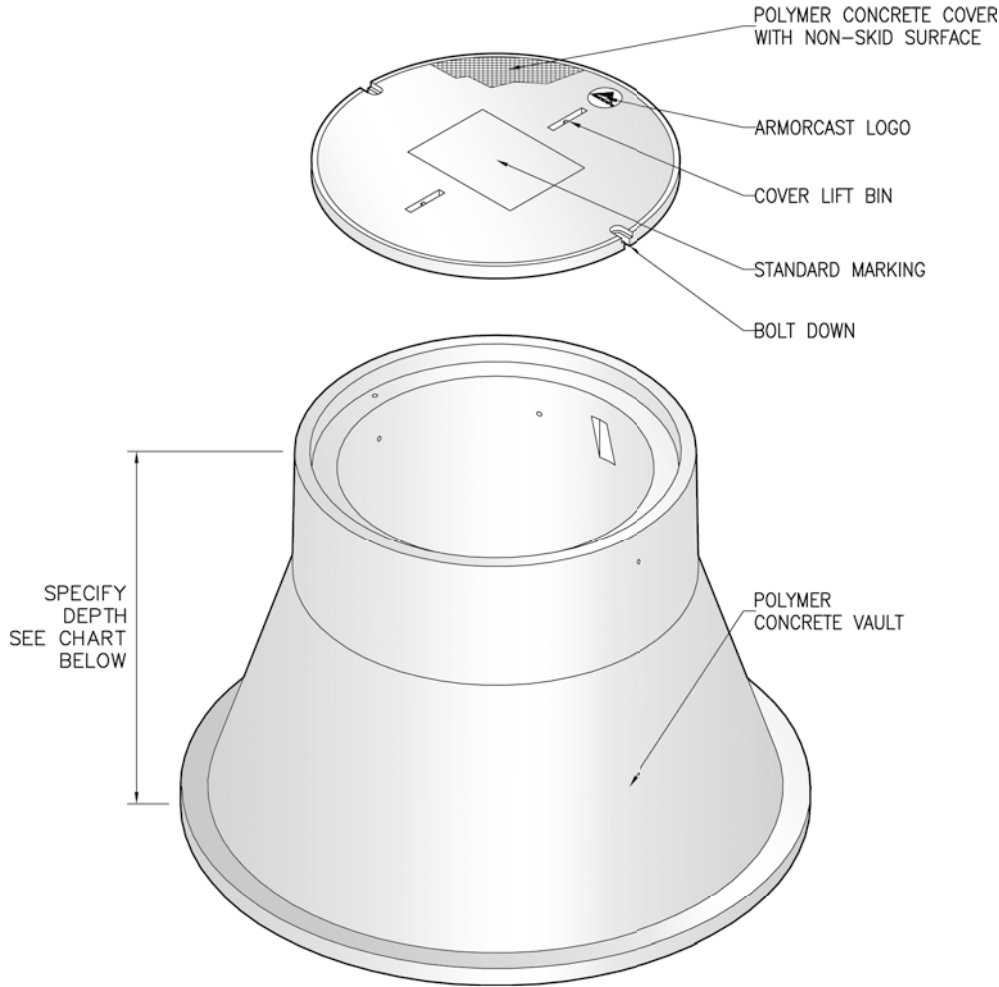
**POLYMER CONCRETE**

**ARMORCAST PRODUCTS COMPANY**

A6000185



**LISTED**  
FILE #E364252



POLYMER CONCRETE VAULTS & MANHOLE

## 32" DIA. VAULT ASSEMBLY

DESCRIPTION	NOMINAL SIZE DIA. X DEPTH	LOAD RATING	ANSI TIER	PART NUMBER	APPROX. WEIGHT	PALLET QTY.
Round Vault & Cover Assembly	32" x 24"	10K	8	A6000185AX24	376 lbs.	5
	32" x 24"	20K	15 / 22	A6000185TAX24 / A6000185HDAX24	442 lbs.	4
Round Vault & Cover Assembly	32" x 36"	10K	8	A6000185AX36	376 lbs.	5
	32" x 36"	20K	15 / 22	A6000185TAX36 / A6000185HDAX36	442 lbs.	4

## COMPONENTS

DESCRIPTION	NOMINAL SIZE	LOAD RATING	ANSI TIER	PART NUMBER	APPROX. WEIGHT	PALLET QTY.
Replacement Cover	32"	10K / 20K	8 / 15 / 22	A6000186 / A6000186T / A6000186HD	80 lbs.	10
Replacement Vault	32" x 24"	10K / 20K	22	A6000185X24	296 lbs.	5
Replacement Vault	32" x 36"	10K / 20K	22	A6000185X36	362 lbs.	4

• For sizes not shown please contact Armorcast Products for more information.

THIS PRODUCT IS LISTED TO APPLICABLE UL STANDARDS AND REQUIREMENTS BY UL.

[www.armorcastprod.com](http://www.armorcastprod.com)

Tel: (818) 982-3600 Fax: (818) 982-7742



# 32" ROUND PC VAULT ASSEMBLY

## STANDARD DIMENSIONS

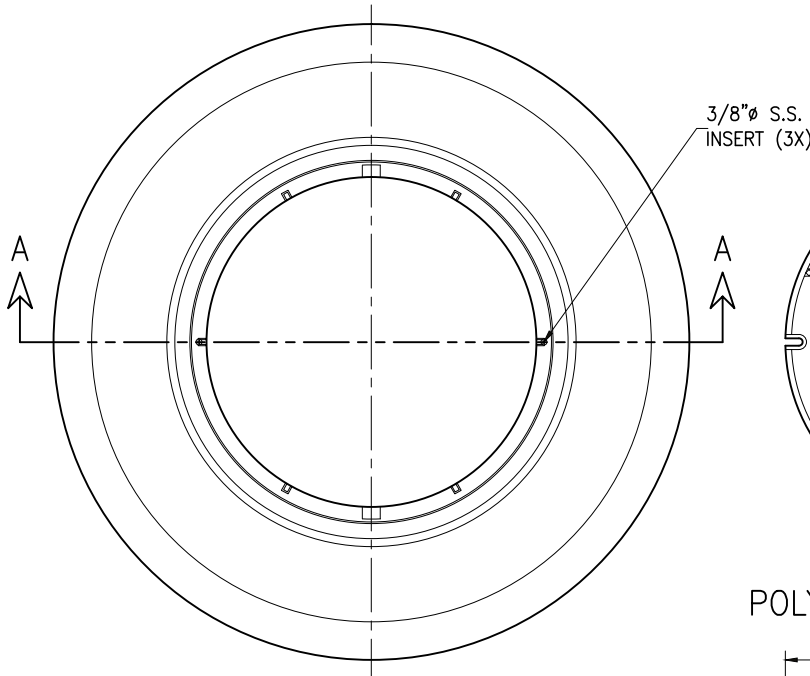
ARMORCAST PRODUCTS COMPANY

POLYMER CONCRETE

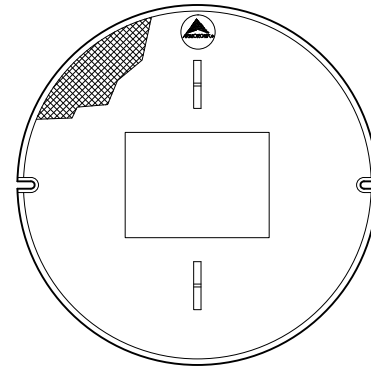
A6000185



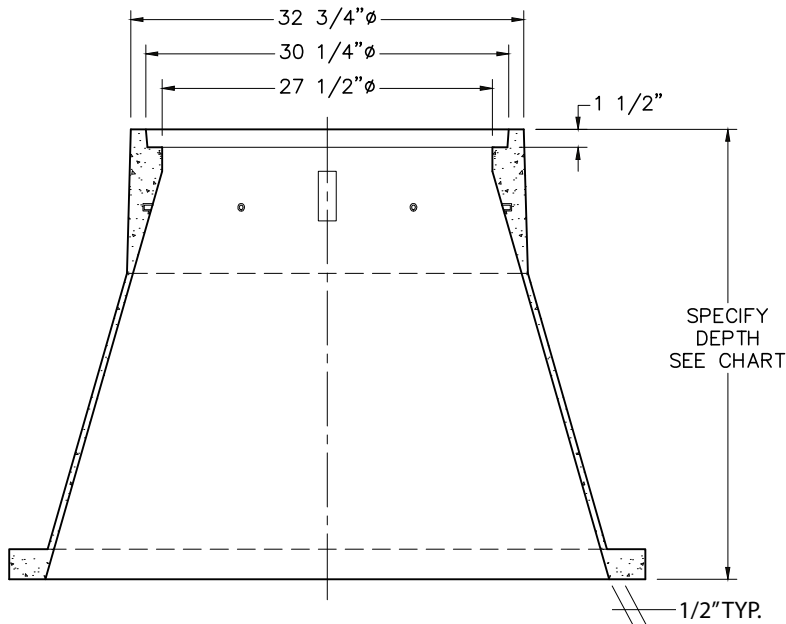
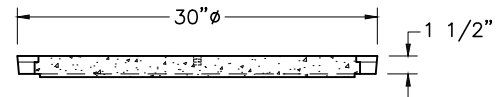
LISTED  
FILE #E364252



PLAN VIEW



POLYMER CONCRETE COVER



SECTION A-A

Armorcast Products Company reserves the right to update or discontinue product information at any time without notice.

THIS PRODUCT IS LISTED TO APPLICABLE UL STANDARDS AND REQUIREMENTS BY UL.

[www.armorcastprod.com](http://www.armorcastprod.com)

Tel: (818) 982-3600 Fax: (818) 982-7742

POLYMER CONCRETE  
VAULTS & MANHOLE