

# 30" x 60" VAULT ASSEMBLY

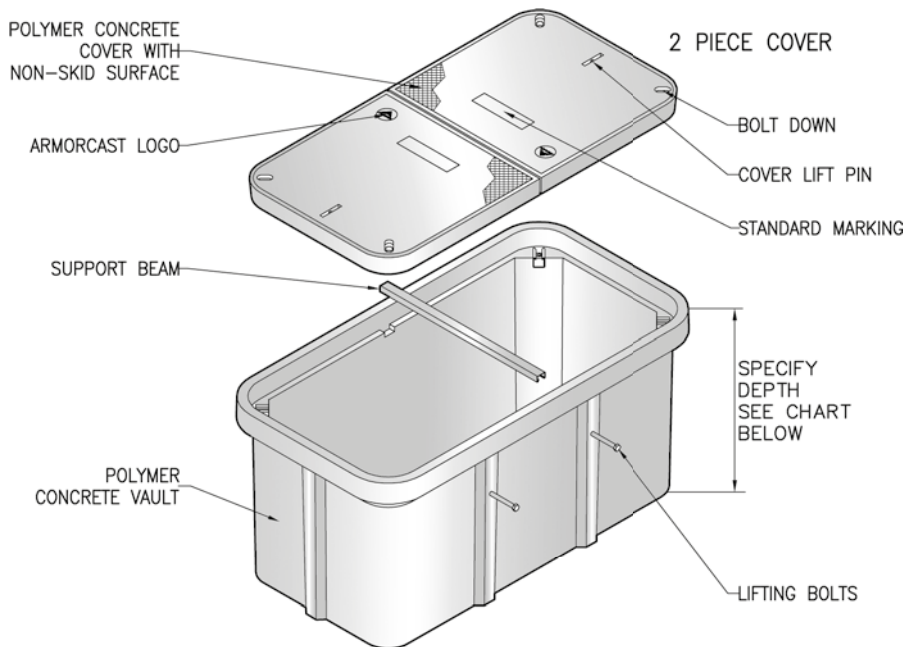
## 12" x 48" DEPTHS



**POLYMER CONCRETE**

**ARMORCAST PRODUCTS COMPANY**

A6001460



### 30"W x 60"L VAULT ASSEMBLIES Specify Depth Below

DESCRIPTION	NOMINAL SIZE W x L x D	LOAD RATING	ANSI TIER	PART NUMBER	APPROX. WEIGHT	PALLET QTY.
Vault & Cover Assembly	30" x 60" x 12"	10K	8	A6001460APCX12	480 lbs.	5
	30" x 60" x 12"	20K	15 / 22	A6001460TAPCX12 / A6001460HDAPCX12	480 lbs.	5
Vault & Cover Assembly	30" x 60" x 18"	10K	8	A6001460APCX18	522 lbs.	2
	30" x 60" x 18"	20K	15 / 22	A6001460TAPCX18 / A6001460HDAPCX18	522 lbs.	2
Vault & Cover Assembly	30" x 60" x 24"	10K	8	A6001460APCX24	572 lbs.	3
	30" x 60" x 24"	20K	15 / 22	A6001460TAPCX24 / A6001460HDAPCX24	572 lbs.	3
Vault & Cover Assembly	30" x 60" x 30"	10K	8	A6001460APCX30	615 lbs.	3
	30" x 60" x 30"	20K	15 / 22	A6001460TAPCX30 / A6001460HDAPCX30	615 lbs.	3
Vault & Cover Assembly	30" x 60" x 36"	10K	8	A6001460APCX36	680 lbs.	1
	30" x 60" x 36"	20K	15 / 22	A6001460TAPCX36 / A6001460HDAPCX36	680 lbs.	1
Vault & Cover Assembly	30" x 60" x 48"	10K	8	A6001460APCX48	756 lbs.	1
	30" x 60" x 48"	20K	15 / 22	A6001460TAPCX48 / A6001460HDAPCX48	756 lbs.	1

### COMPONENTS

DESCRIPTION	NOMINAL SIZE W x L x D	LOAD RATING	ANSI TIER	PART NUMBER	APPROX. WEIGHT	PALLET QTY.
Replacement Covers	30" x 60" - 2 pc.	10K	8	A6001456 (2 pc. Req.)	128 lbs. ea.	20
	30" x 60" - 2 pc.	20K	15 / 22	A6001456T / A6001456HD (2 pc. Req.)	128 lbs. ea.	20
Replacement Vaults	30" x 60" x 12"	10K / 20K	22	A6001460PCX12	220 lbs.	5
	30" x 60" x 18"	10K / 20K	22	A6001460PCX18	265 lbs.	2
	30" x 60" x 24"	10K / 20K	22	A6001460PCX24	315 lbs.	2
	30" x 60" x 30"	10K / 20K	22	A6001460PCX30	355 lbs.	2
	30" x 60" x 36"	10K / 20K	22	A6001460PCX36	420 lbs.	1
	30" x 60" x 48"	10K / 20K	22	A6001460PCX48	500 lbs.	1

- Vaults are Open Bottom, and Stackable. Also available with Split Base or Solid Bottoms. THIS PRODUCT IS LISTED TO APPLICABLE UL STANDARDS AND REQUIREMENTS BY UL.
- For sizes not shown please contact Armorcast Products for more information

[www.armorcastprod.com](http://www.armorcastprod.com)

Tel: (818) 982-3600 Fax: (818) 982-7742

POLYMER CONCRETE VAULTS & MANHOLES



ARMORCAST PRODUCTS COMPANY

# 30" x 60" VAULT ASSEMBLY

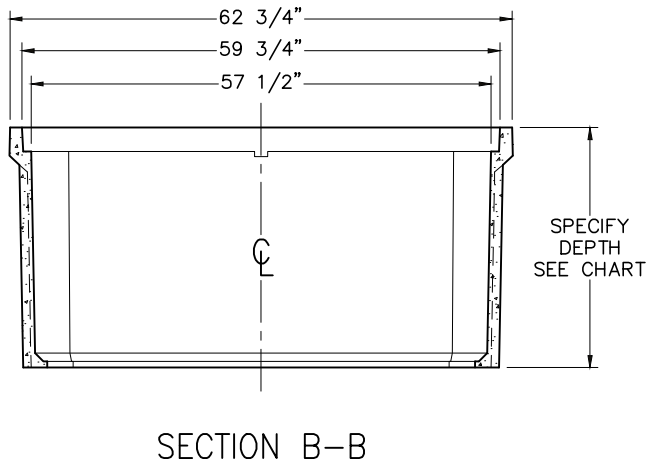
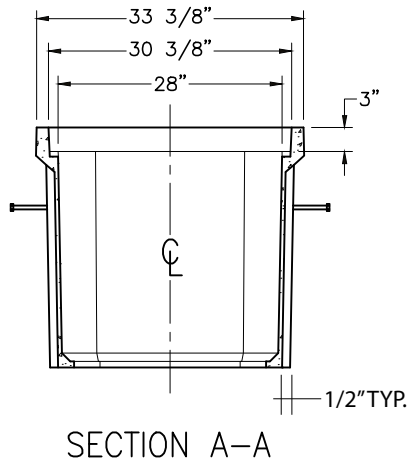
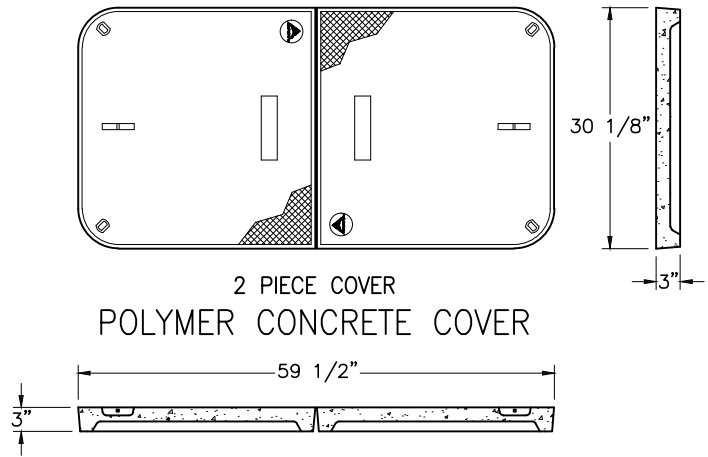
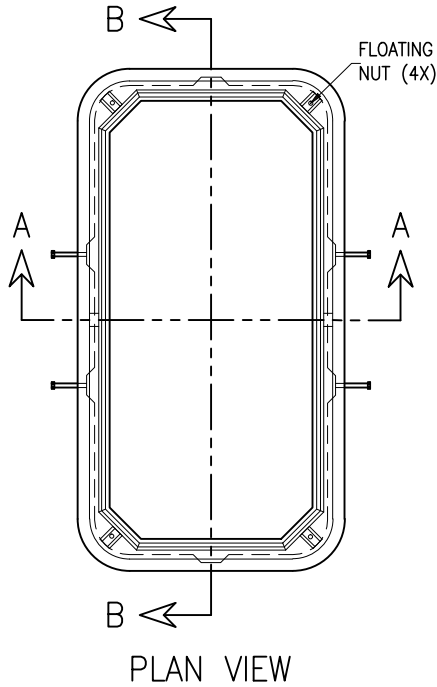
## STANDARD DIMENSIONS

POLYMER CONCRETE

A6001460



LISTED  
FILE #E364252



POLYMER CONCRETE  
VAULTS & MANHOLE

Armorcast Products Company reserves the right to update or discontinue product information at any time without notice.

THIS PRODUCT IS LISTED TO APPLICABLE UL STANDARDS AND REQUIREMENTS BY UL.

[www.armorcastprod.com](http://www.armorcastprod.com)

Tel: (818) 982-3600 Fax: (818) 982-7742