

30" x 60" FRP VAULT ASSEMBLY

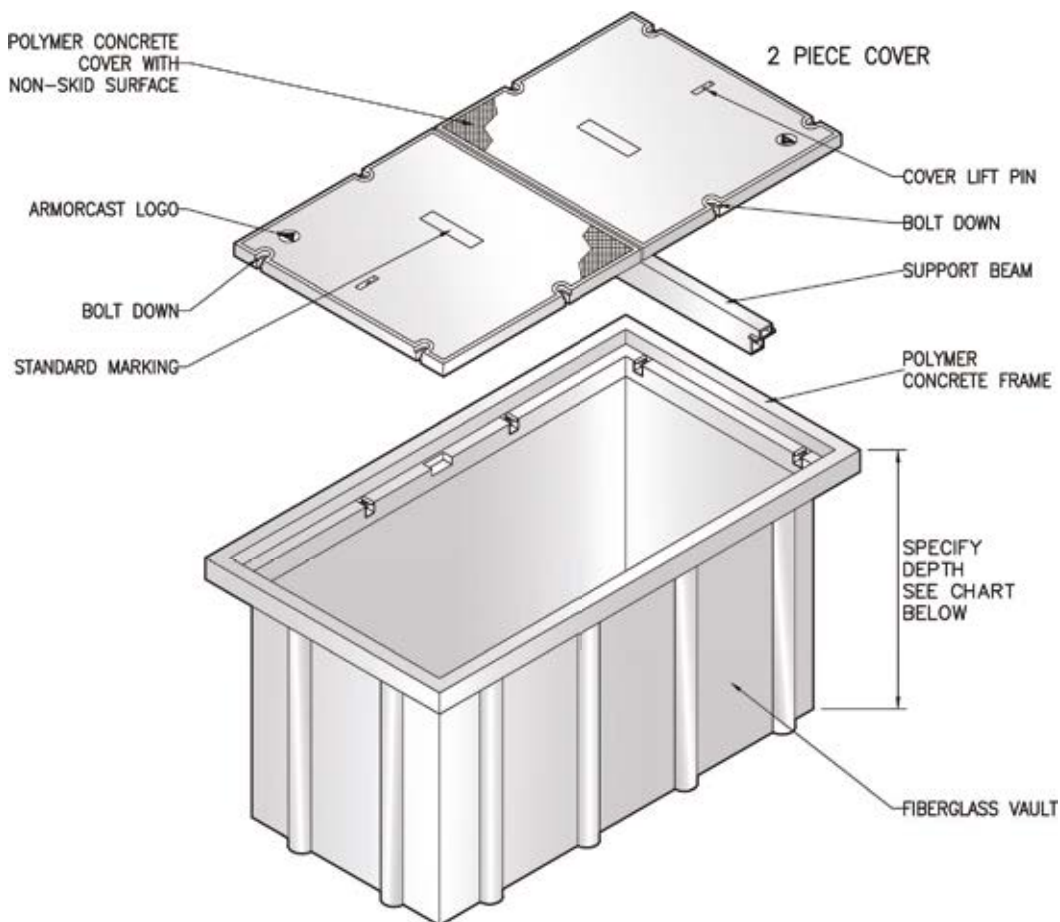
24" to 48" DEPTHS



FIBERGLASS

ARMORCAST PRODUCTS COMPANY

A6001460



30"W x 60"L FRP VAULT ASSEMBLIES Specify Depth Below

DESCRIPTION	NOMINAL SIZE W x L x D	LOAD RATING	ANSI TIER	PART NUMBER	APPROX. WEIGHT	PALLET QTY.
Vault & Cover Assembly	30" x 60" x 24"	10K	8	A6001460AX24	490 lbs.	1
	30" x 60" x 24"	20K	15	A6001460TAX24	530 lbs.	1
Vault & Cover Assembly	30" x 60" x 36"	10K	8	A6001460AX36	520 lbs.	1
	30" x 60" x 36"	20K	15	A6001460TAX36	560 lbs.	1
Vault & Cover Assembly	30" x 60" x 48"	10K	8	A6001460AX48	550 lbs.	1
	30" x 60" x 48"	20K	15	A6001460TAX48	580 lbs.	1

COMPONENTS

DESCRIPTION	NOMINAL SIZE W x L x D	LOAD RATING	ANSI TIER	PART NUMBER	APPROX. WEIGHT	PALLET QTY.
Replacement Covers	30" x 60" - 2 pc.	10K	8	A6001504	125 lbs.	10
	30" x 60" - 2pc.	20K	15	A6001504T	125 lbs.	10
Replacement Vaults	30" x 60" x 24"	10K / 20K	8 / 15	A6001460X24	165 lbs.	1
	30" x 60" x 36"	10K / 20K	8 / 15	A6001460X36	180 lbs.	1
	30" x 60" x 48"	10K / 20K	8 / 15	A6001460X48	195 lbs.	1

- Boxes are Open Bottom. Also available with Solid Bottoms.
- For sizes not shown please contact Armorcast Products for more information

www.armorcastprod.com

Tel: (818) 982-3600 Fax: (818) 982-7742



30" x 60" FRP VAULT ASSEMBLY

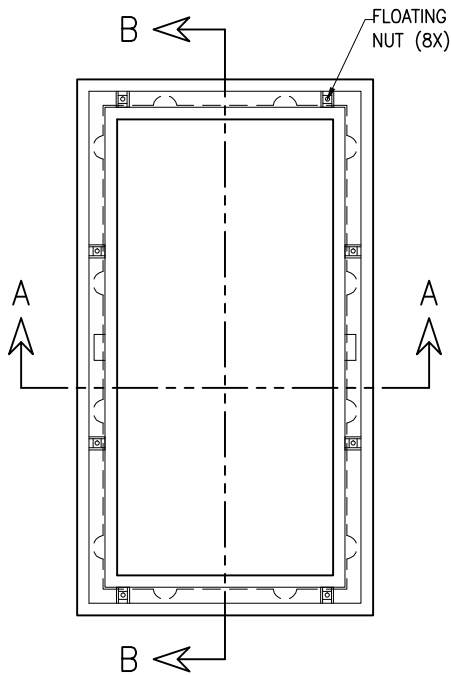
STANDARD DIMENSIONS

ARMORCAST PRODUCTS COMPANY

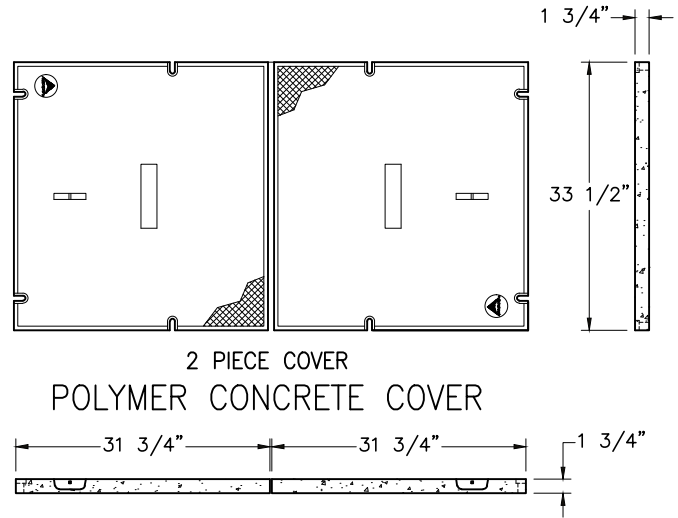
FIBERGLASS

A6001460

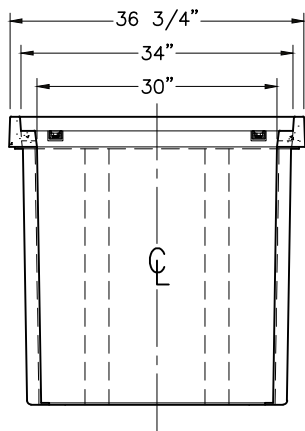
FIBERGLASS
VAULT & MANHOLE



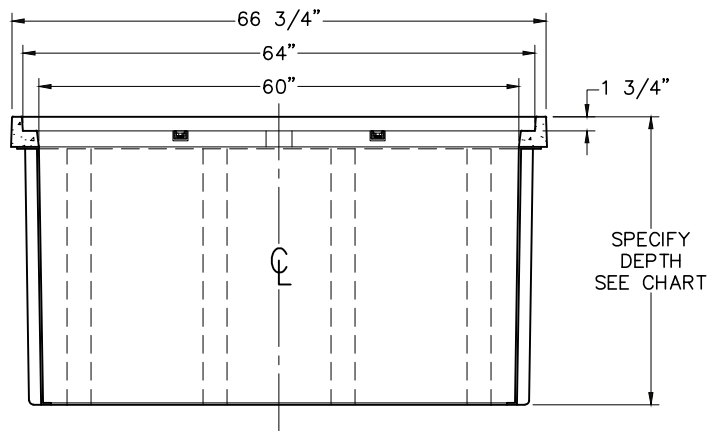
TOP VIEW



2 PIECE COVER
POLYMER CONCRETE COVER



SECTION A-A



SECTION B-B

Armorcast Products Company reserves the right to update or discontinue product information at any time without notice.

www.armorcastprod.com

Tel: (818) 982-3600 Fax: (818) 982-7742