

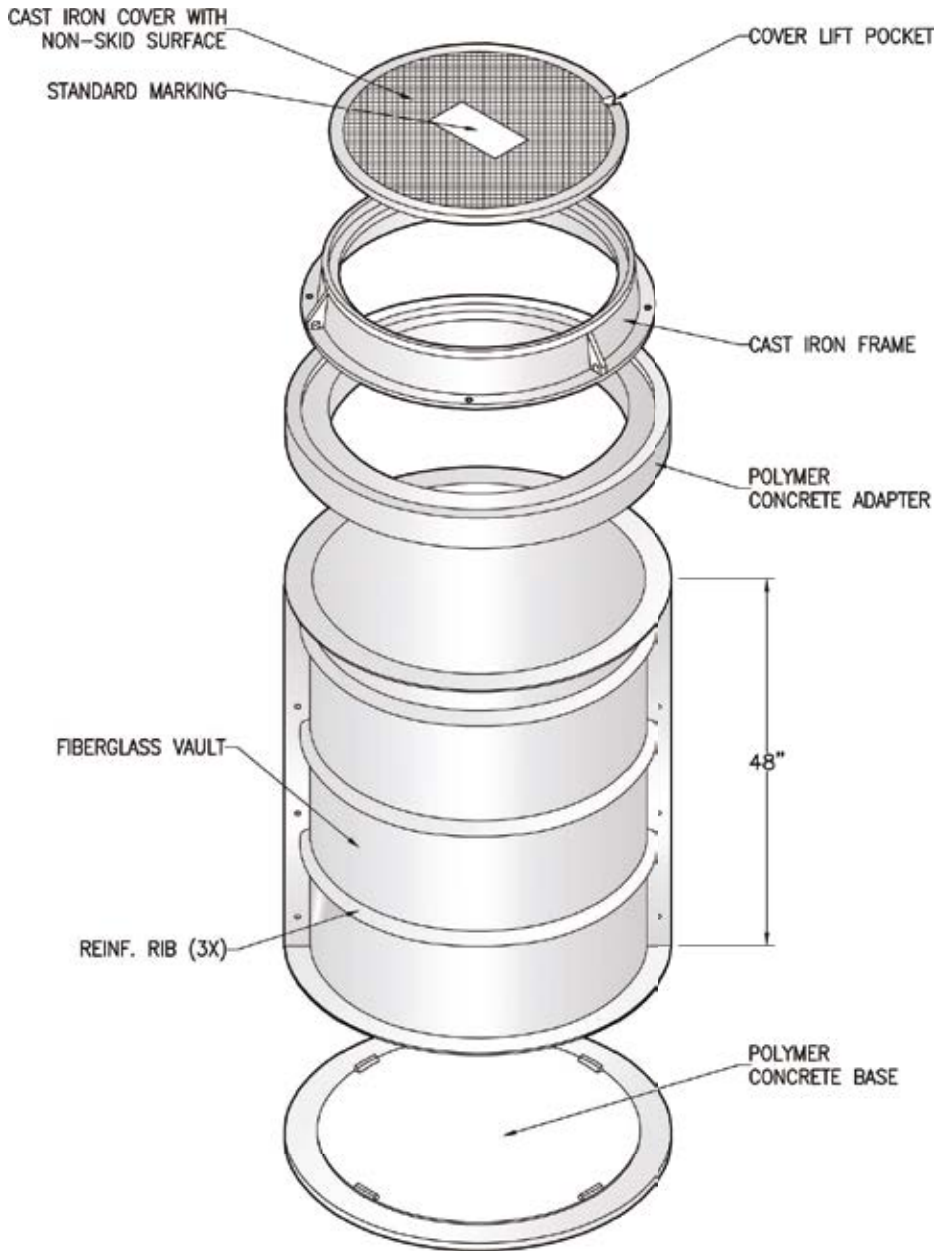
30" ROUND FRP MANHOLE ASSEMBLY



FIBERGLASS

ARMORCAST PRODUCTS COMPANY

A6001473



30" DIA. FRP MANHOLE ASSEMBLY

DESCRIPTION	NOMINAL SIZE DIA. X DEPTH	LOAD RATING	ANSI TIER	PART NUMBER	APPROX. WEIGHT	PALLET QTY.
Vault & Cover Assembly	30" x 48"	H20	-	A6001473HTAX48B	750 lbs.	1

- Solid Bottom and includes Cast Iron Ring & Cover
- For sizes not shown please contact Armorcast Products for more information



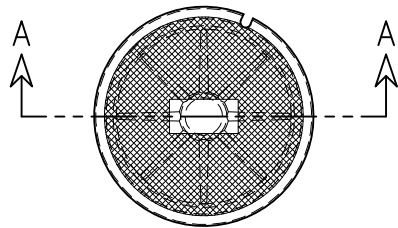
ARMORCAST PRODUCTS COMPANY

30" ROUND FRP MANHOLE ASSEMBLY STANDARD DIMENSIONS

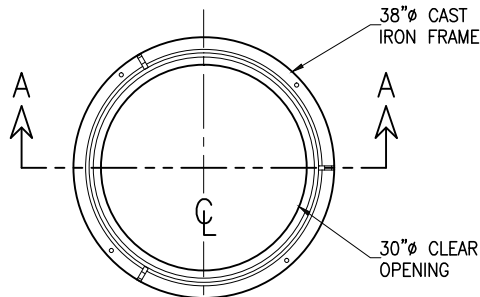
FIBERGLASS

A6001473

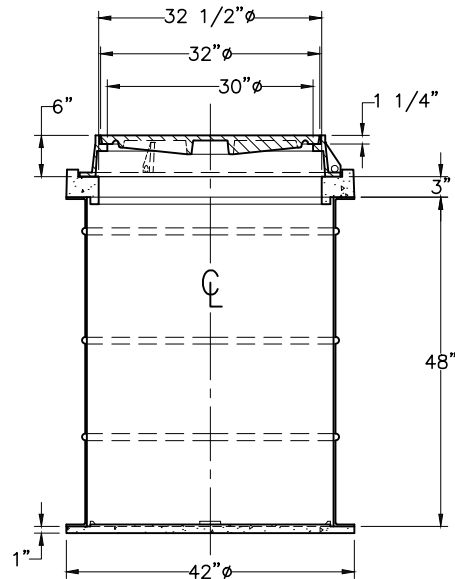
FIBERGLASS
VAULT & MANHOLE



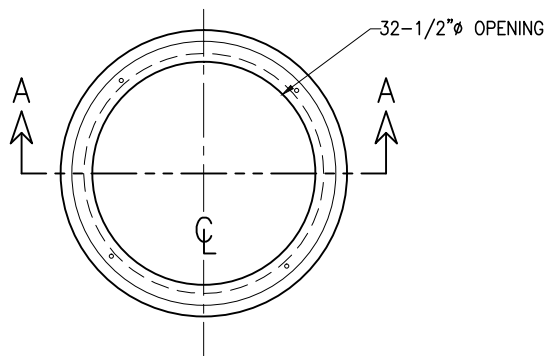
TOP VIEW
32" C.I. COVER



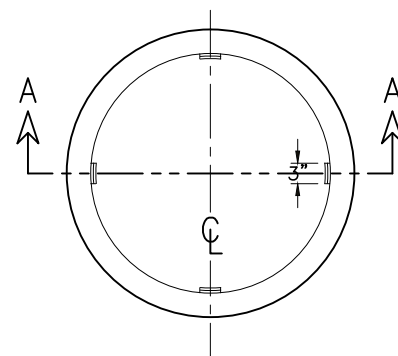
TOP VIEW
CAST IRON FRAME



SECTION A-A



TOP VIEW
42" ϕ POLYMER
CONCRETE ADAPTER



TOP VIEW
42" ϕ POLYMER
CONCRETE BASE

Armorcast Products Company reserves the right to update or discontinue product information at any time without notice.

www.armorcastprod.com

Tel: (818) 982-3600 Fax: (818) 982-7742