

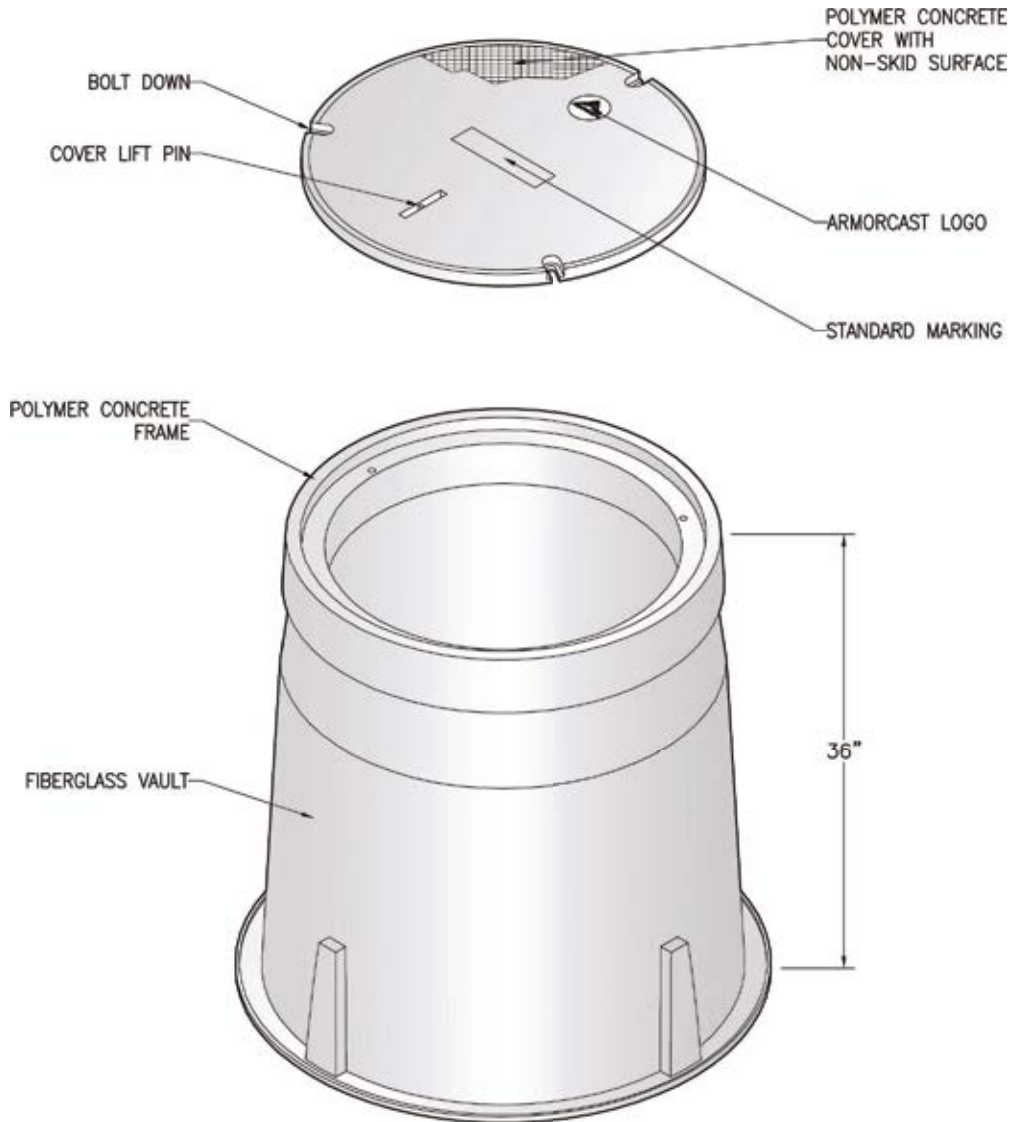
29" ROUND FRP VAULT ASSEMBLY



FIBERGLASS

ARMORCAST PRODUCTS COMPANY

A6000183



29" DIA. FRP VAULT ASSEMBLY

DESCRIPTION	NOMINAL SIZE DIA. X DEPTH	LOAD RATING	ANSI TIER	PART NUMBER	APPROX. WEIGHT	PALLET QTY.
Round Vault & Cover Assembly	29" x 36"	10K	8	A6000183AX36	147 lbs.	5
	29" x 36"	20K	15	A6000183TAX36	147 lbs.	5

COMPONENTS

DESCRIPTION	NOMINAL SIZE	LOAD RATING	ANSI TIER	PART NUMBER	APPROX. WEIGHT	PALLET QTY.
Replacement Cover	29"	10K / 20K	8 / 15	A6000181 / A6000181T	57 lbs.	20
Replacement Vault	26" x 36"	10K / 20K	8 / 15	A6000183X36	90 lbs.	5

• For sizes not shown please contact Armorcast Products for more information



ARMORCAST PRODUCTS COMPANY

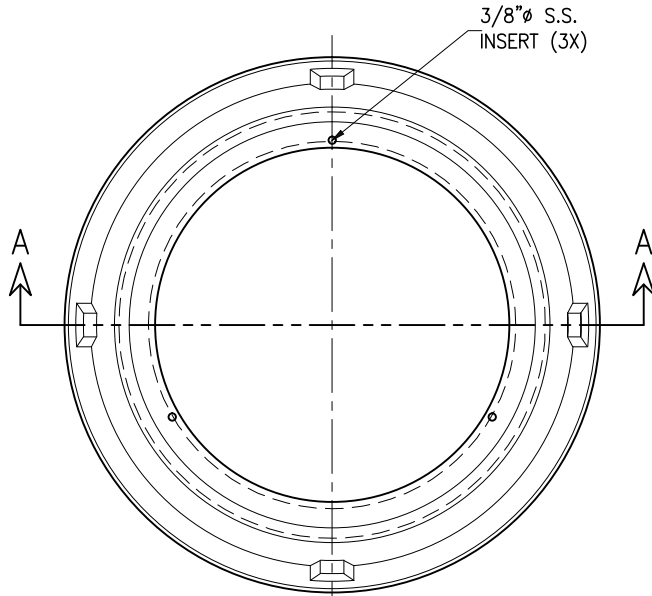
29" ROUND FRP VAULT ASSEMBLY

STANDARD DIMENSIONS

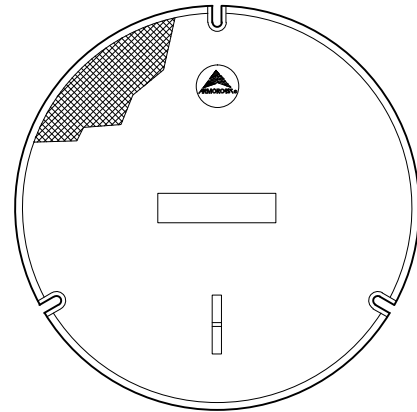
FIBERGLASS

A6000183

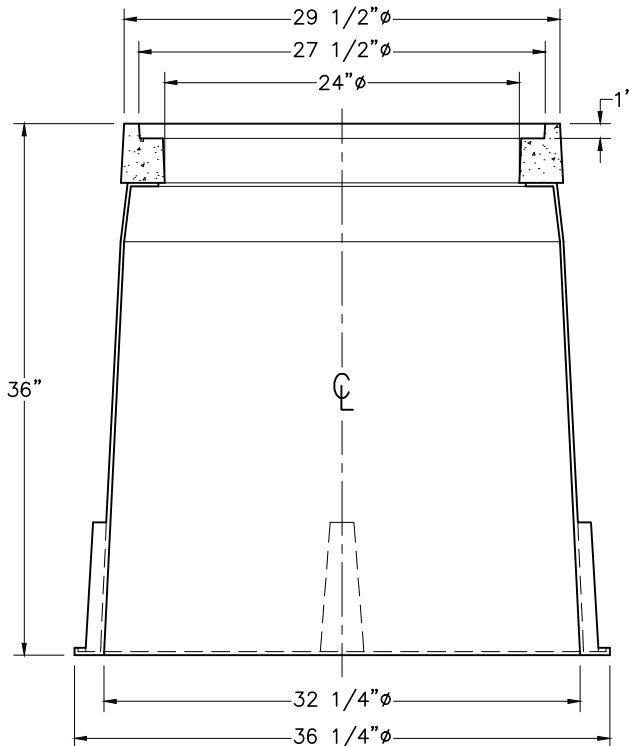
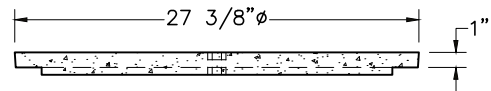
FIBERGLASS
VAULT & MANHOLE



PLAN VIEW



POLYMER CONCRETE COVER



SECTION A-A

Armorcast Products Company reserves the right to update or discontinue product information at any time without notice.

www.armorcastprod.com

Tel: (818) 982-3600 Fax: (818) 982-7742