

28" ROUND VAULT ASSEMBLY



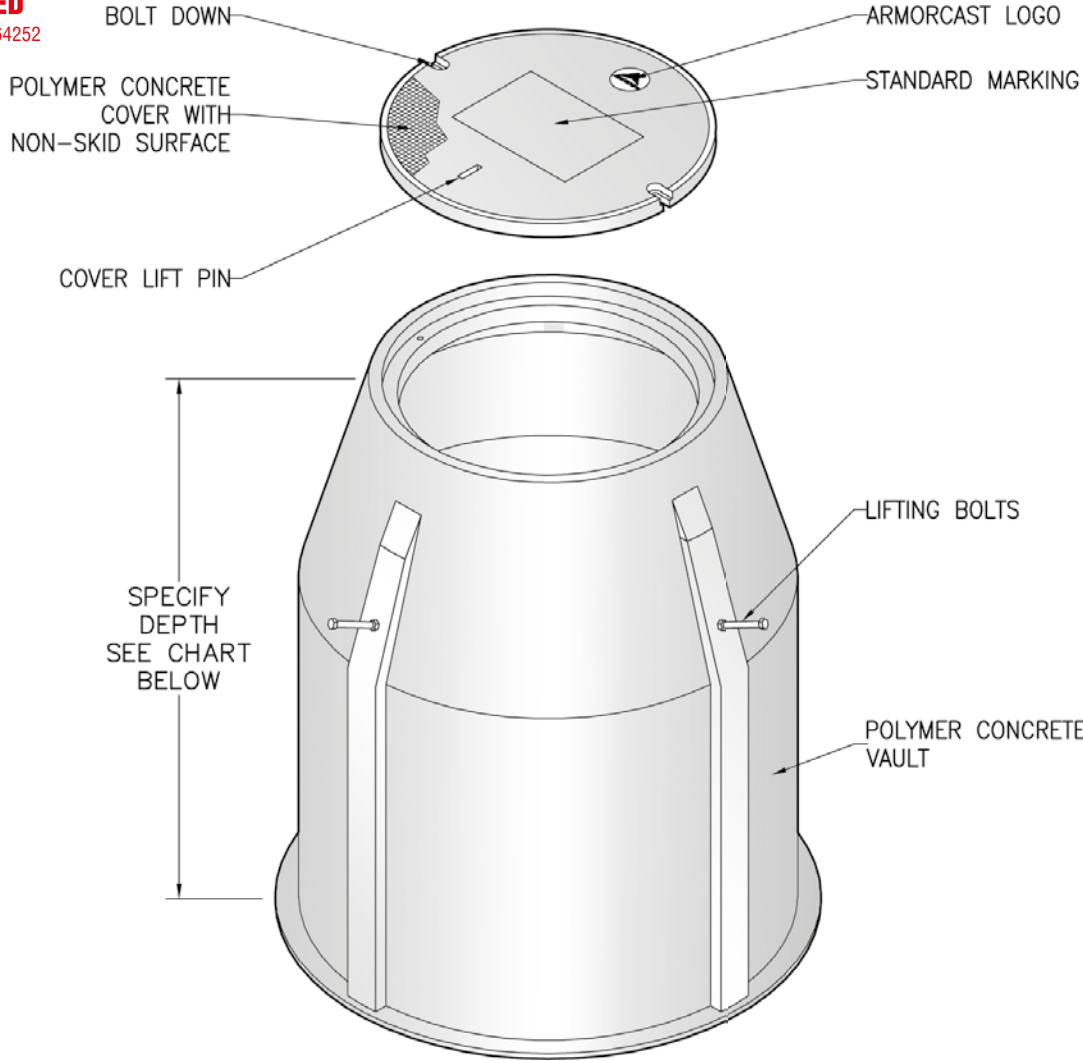
POLYMER CONCRETE

ARMORCAST PRODUCTS COMPANY

A6000178



LISTED
FILE #E364252



POLYMER CONCRETE VAULTS & MANHOLE

28" DIA. VAULT ASSEMBLY

DESCRIPTION	NOMINAL SIZE DIA. X DEPTH	LOAD RATING	ANSI TIER	PART NUMBER	APPROX. WEIGHT	PALLET QTY.
Round Vault & Cover Assembly	28" x 48"	10K	8	A6000178APCX48	353lbs.	1
	28" x 48"	20K	15 / 22	A6000178TAPCX48 / A6000178HDAPCX48	353lbs.	1

COMPONENTS

DESCRIPTION	NOMINAL SIZE	LOAD RATING	ANSI TIER	PART NUMBER	APPROX. WEIGHT	PALLET QTY.
Replacement Cover	28"	10K / 20K	8 / 15 / 22	A6000180 / A6000180T / A6000180HD	52 lbs.	10
Replacement Vault	28" x 48"	10K / 20K	22	A6000178PCX48	301 lbs.	1

• For sizes not shown please contact Armorcast Products for more information.

THIS PRODUCT IS LISTED TO APPLICABLE UL STANDARDS AND REQUIREMENTS BY UL.

www.armorcastprod.com

Tel: (818) 982-3600 Fax: (818) 982-7742



28" ROUND PC VAULT ASSEMBLY

STANDARD DIMENSIONS

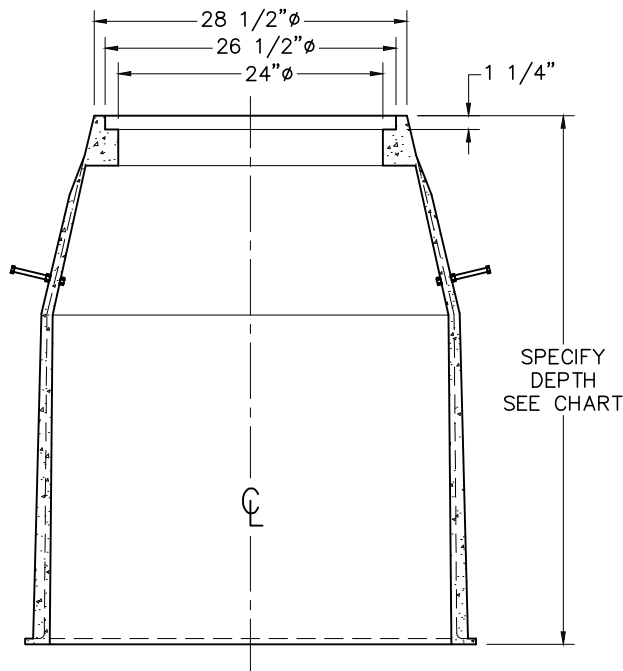
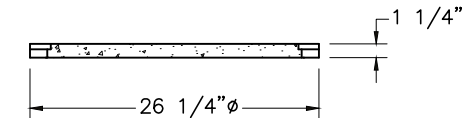
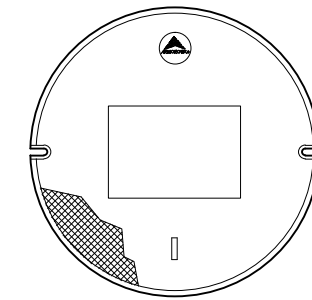
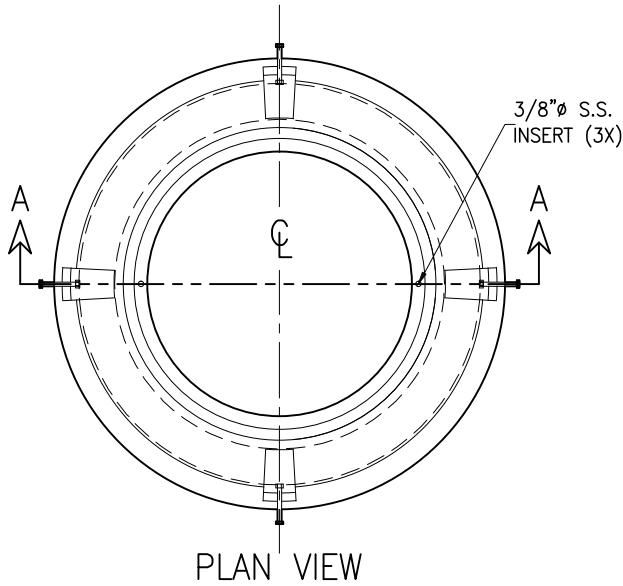
ARMORCAST PRODUCTS COMPANY

POLYMER CONCRETE

A6000178



FILE #E364252



SECTION A-A
POLYMER CONCRETE SPLICE VAULT

POLYMER CONCRETE
VAULTS & MANHOLE

Armorcast Products Company reserves the right to update or discontinue product information at any time without notice.

THIS PRODUCT IS LISTED TO APPLICABLE UL STANDARDS AND REQUIREMENTS BY UL.

www.armorcastprod.com

Tel: (818) 982-3600 Fax: (818) 982-7742