

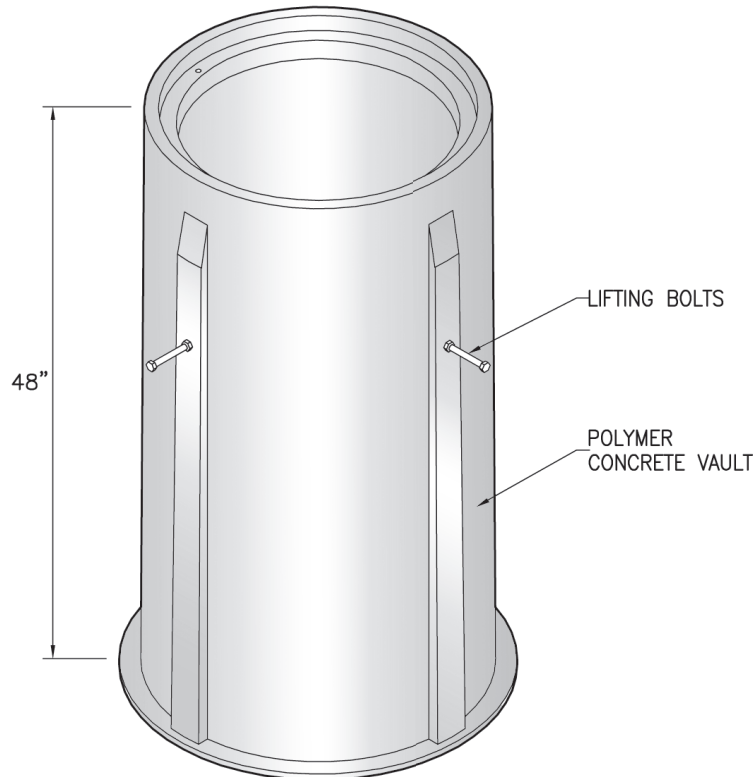
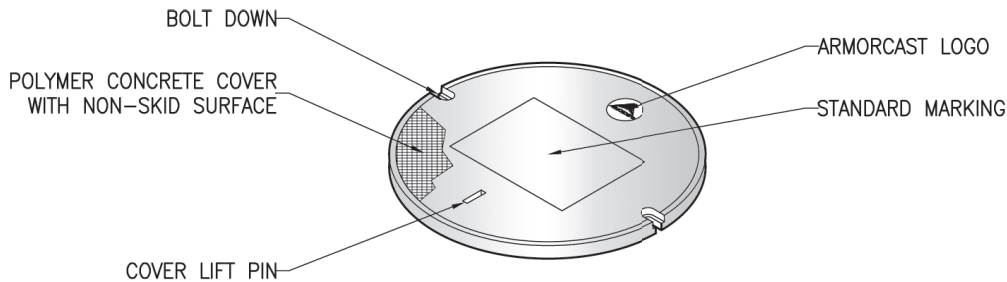
26" ROUND VAULT ASSEMBLY



POLYMER CONCRETE

ARMORCAST PRODUCTS COMPANY

A6000177



POLYMER CONCRETE VAULTS & MANHOLE

26" DIA. VAULT ASSEMBLY

DESCRIPTION	NOMINAL SIZE DIA. X DEPTH	LOAD RATING	ANSI TIER	PART NUMBER	APPROX. WEIGHT	PALLET QTY.
Round Vault & Cover Assembly	26" x 48"	10K	8	A6000177APCX48	245 lbs.	2
	26" x 48"	20K	15 / 22	A6000177APCX48 / A6000177HD-APCX48	245 lbs.	2

COMPONENTS

DESCRIPTION	NOMINAL SIZE	LOAD RATING	ANSI TIER	PART NUMBER	APPROX. WEIGHT	PALLET QTY.
Replacement Cover	26	10K / 20K	15/22	A6000179 / A6000179HD	42 lbs.	10
Replacement Vault	26" x 48"	10K / 20K	15/22	A6000177PCX48	202 lbs.	2

• For sizes not shown please contact Armorcast Products for more information.

THIS PRODUCT IS LISTED TO APPLICABLE UL STANDARDS AND REQUIREMENTS BY UL.

www.armorcastprod.com

Tel: (818) 982-3600 Fax: (818) 982-7742



26" ROUND PC VAULT ASSEMBLY

STANDARD DIMENSIONS

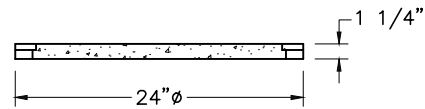
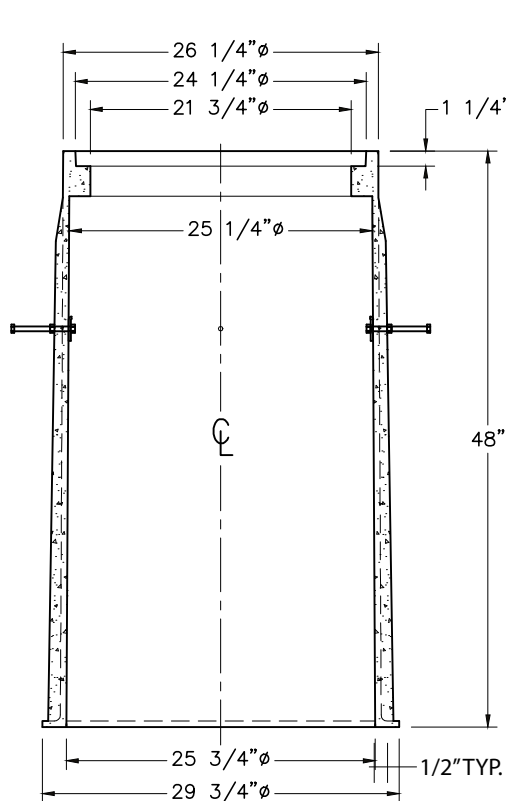
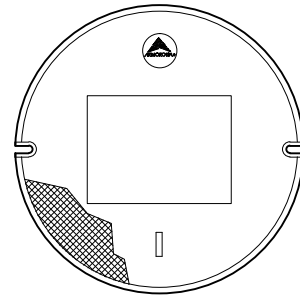
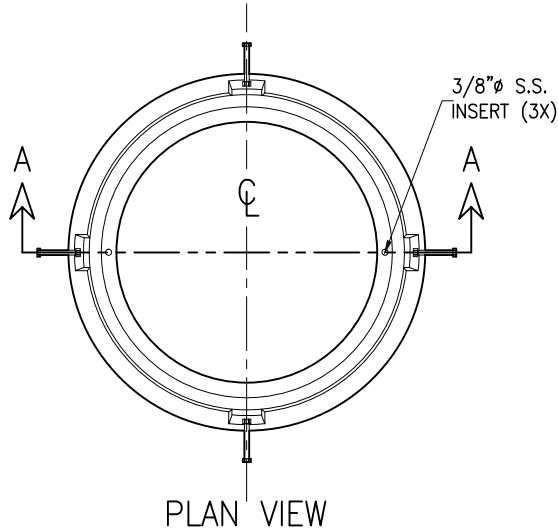
ARMORCAST PRODUCTS COMPANY

POLYMER CONCRETE

A6000177



FILE #E364252



SECTION A-A
POLYMER CONCRETE SPLICE VAULT

Armorcast Products Company reserves the right to update or discontinue product information at any time without notice.

THIS PRODUCT IS LISTED TO APPLICABLE UL STANDARDS AND REQUIREMENTS BY UL.

www.armorcastprod.com

Tel: (818) 982-3600 Fax: (818) 982-7742

POLYMER CONCRETE
VAULTS & MANHOLE