

24" x 36" FRP FLARED BOX ASSEMBLY

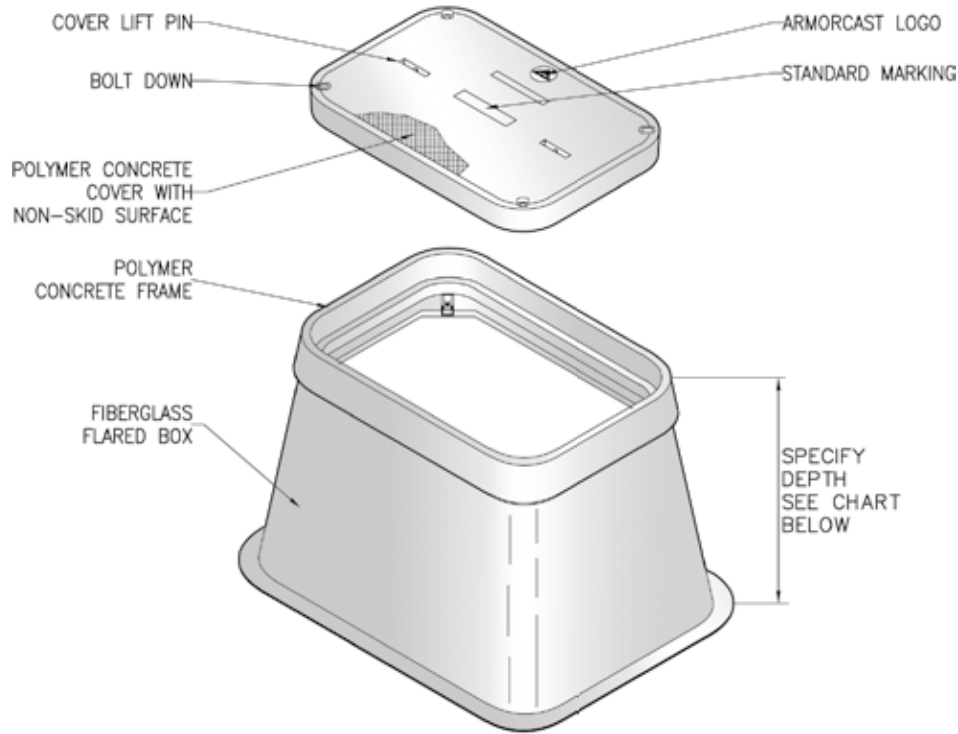
18" to 36" DEPTHS



FIBERGLASS

ARMORCAST PRODUCTS COMPANY

A6001974



24"W x 36"L FRP FLARED BOX ASSEMBLIES Specify Depth Below

DESCRIPTION	NOMINAL SIZE W x L x D	LOAD RATING	ANSI TIER	PART NUMBER	APPROX. WEIGHT	PALLET QTY.
Box & Cover Assembly	24" x 36" x 18"	10K	8	A6001974AX18	173 lbs.	5
	24" x 36" x 18"	20K	15	A6001974TAX18	242 lbs.	5
Box & Cover Assembly	24" x 36" x 24"	10K	8	A6001974AX24	174 lbs.	5
	24" x 36" x 24"	20K	15	A6001974TAX24	241 lbs.	5
Box & Cover Assembly	24" x 36" x 30"	10K	8	A6001974AX30	207 lbs.	5
	24" x 36" x 30"	20K	15	A6001974TAX30	276 lbs.	5
Box & Cover Assembly	24" x 36" x 36"	10K	8	A6001974AX36	210 lbs.	5
	24" x 36" x 36"	20K	15	A6001974TAX36	280 lbs.	5

COMPONENTS

DESCRIPTION	NOMINAL SIZE W x L x D	LOAD RATING	ANSI TIER	PART NUMBER	APPROX. WEIGHT	PALLET QTY.
Replacement Covers	24" x 36"	10K	8	A6001975	95 lbs.	20
	24" x 36"	20K	15	A6001975T	157 lbs.	20
Replacement Boxes	24" x 36" x 18"	10K / 20K	8 / 15	A6001974X18	78 lbs.	5
	24" x 36" x 24"	10K / 20K	8 / 15	A6001974X24	79 lbs.	5
	24" x 36" x 30"	10K / 20K	8 / 15	A6001974X30	112 lbs.	5
	24" x 36" x 36"	10K / 20K	8 / 15	A6001974X36	115 lbs.	5
Extensions 18" Boxes Only	24" x 36" x 8"	10K / 20K	8 / 15	A6001974EX8	50 lbs.	5
	24" x 36" x 16"	10K / 20K	8 / 15	A6001974EX16	62 lbs.	3

- Boxes are Open Bottom.
- For sizes not shown please contact Armorcast Products for more information

www.armorcastprod.com

Tel: (818) 982-3600 Fax: (818) 982-7742



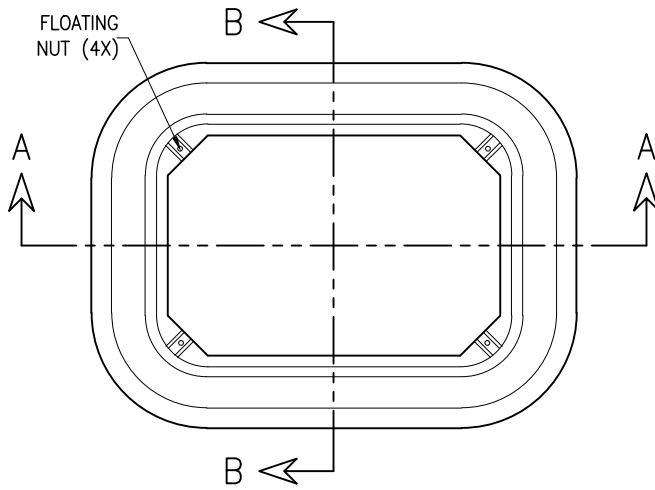
24" x 36" FRP FLARED BOX ASSEMBLY

STANDARD DIMENSIONS

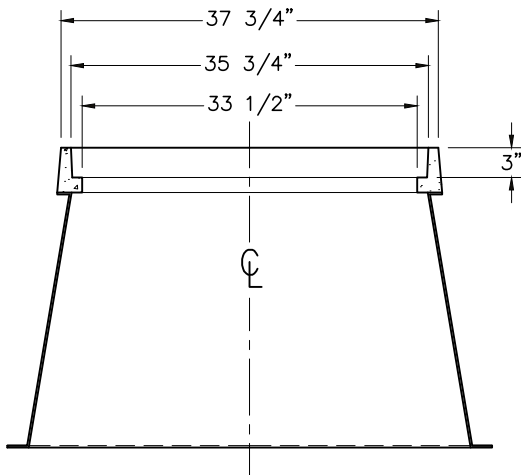
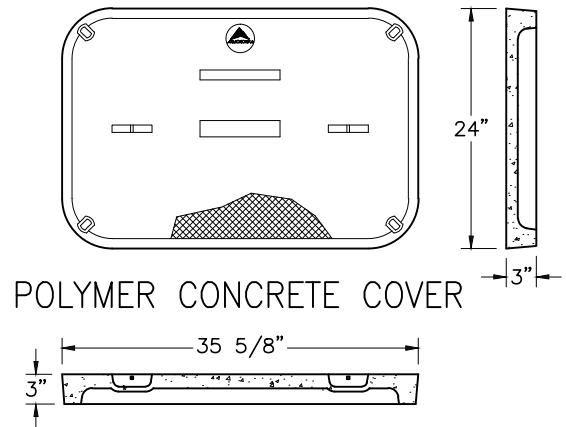
ARMORCAST PRODUCTS COMPANY

FIBERGLASS

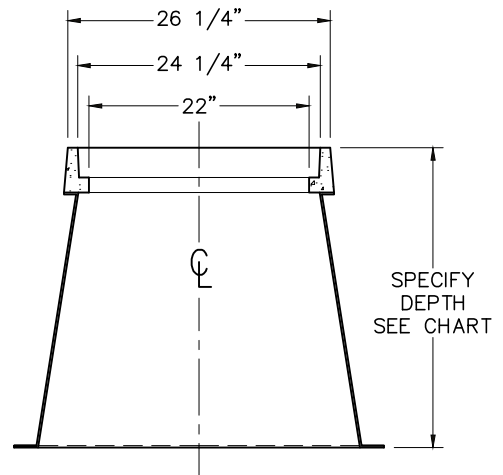
A6001974



PLAN VIEW



SECTION A-A



SECTION B-B

Armorcast Products Company reserves the right to update or discontinue product information at any time without notice.

www.armorcastprod.com

Tel: (818) 982-3600 Fax: (818) 982-7742

FIBERGLASS
BOXES