

24" x 24" BOX ASSEMBLY

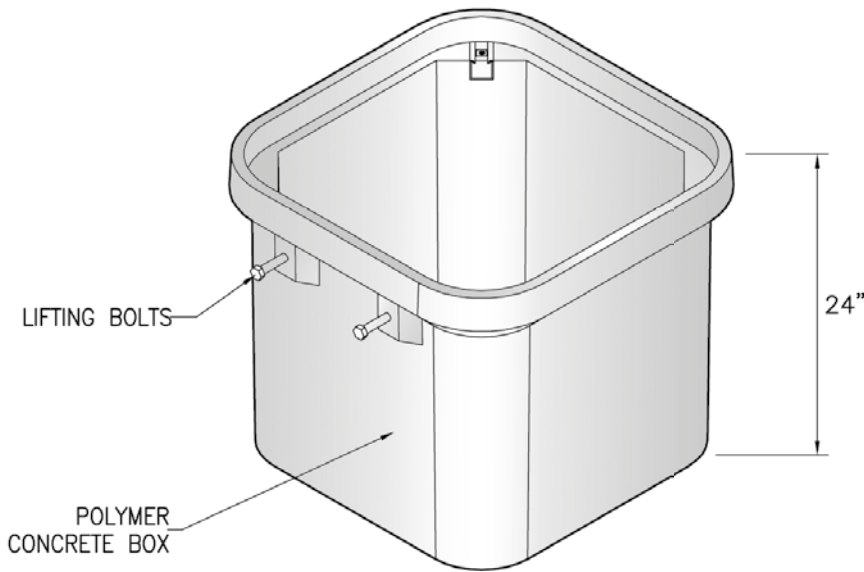
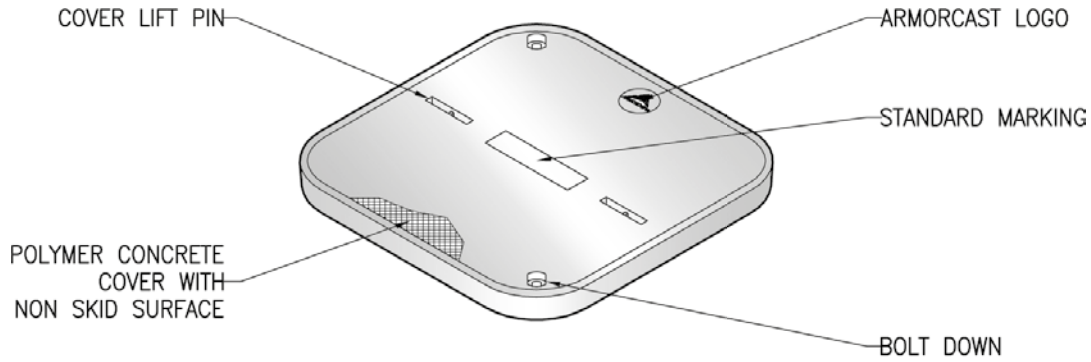
24" DEPTH



POLYMER CONCRETE

ARMORCAST PRODUCTS COMPANY

A6002424



POLYMER CONCRETE BOXES

DESCRIPTION						
Box & Cover Assembly	24" x 24" x 24"	10K	8	A600 2424APCX24	236 lbs.	2
	24" x 24" x 24"	20K	15 / 22	A6002424TAPCX24 / A6002424HDAPCX24	240 lbs.	2

COMPONENTS

MORE COVER VARIATIONS ARE AVAILABLE IN OUR "COVER SECTION"

DESCRIPTION	NOMINAL SIZE W x L x D	LOAD RATING	ANSI TIER	PART NUMBER	APPROX. WEIGHT	PALLET QTY.
Replacement Covers	24" x 24"	10K	8	A6002424-CVR	71 lbs.	20
	24" x 24"	20K	15 / 22	A6002424T-CVR / A6002424HD-CVR	75 lbs.	20
Replacement Box	24" x 24" x 24"	10K / 20K	22	A6002424PCX24	165 lbs.	2

- Boxes are Open Bottom and Stackable, also available with Solid Bottoms.
- For sizes not shown please contact Armorcast Products for more information.

THIS PRODUCT IS LISTED TO APPLICABLE UL STANDARDS AND REQUIREMENTS BY UL.

www.armorcastprod.com

Tel: (818) 982-3600 Fax: (818) 982-7742



ARMORCAST PRODUCTS COMPANY

24" x 24" BOX ASSEMBLY

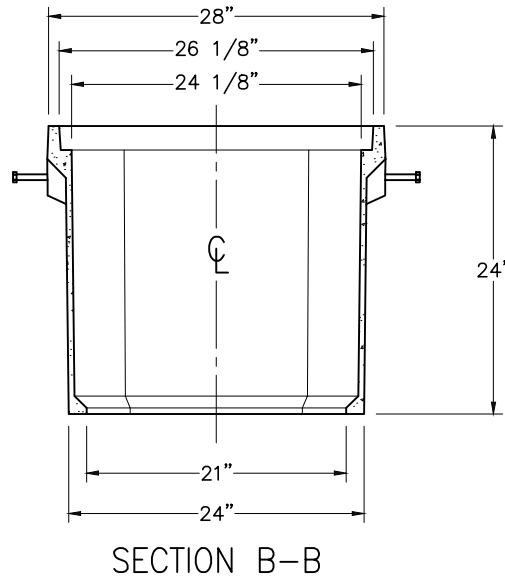
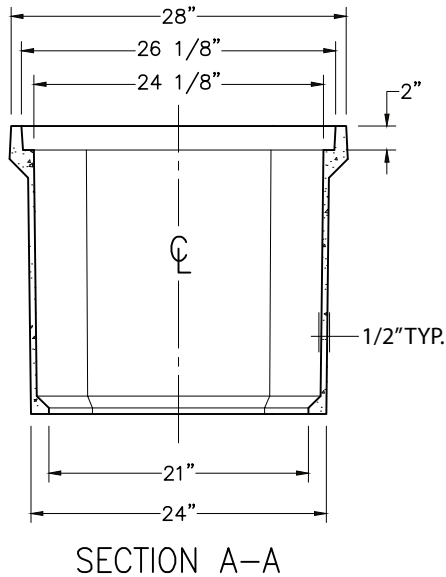
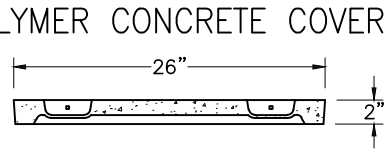
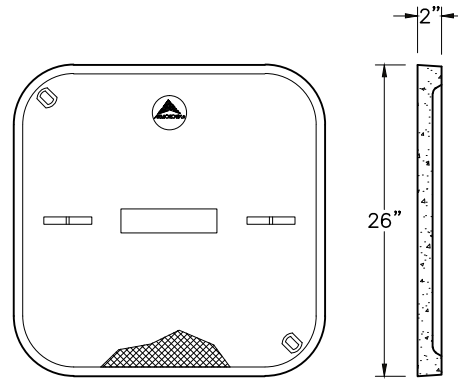
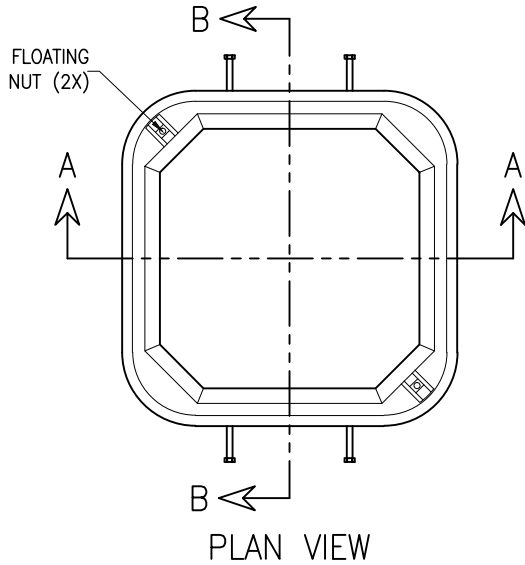
STANDARD DIMENSIONS

POLYMER CONCRETE

A6002424



LISTED
FILE #E364252



POLYMER CONCRETE
BOXES

Armorcast Products Company reserves the right to update or discontinue product information at any time without notice.

THIS PRODUCT IS LISTED TO APPLICABLE UL STANDARDS AND REQUIREMENTS BY UL.

www.armorcastprod.com

Tel: (818) 982-3600 Fax: (818) 982-7742