

# 20" x 21" BOX ASSEMBLY

## 12" & 24" DEPTH



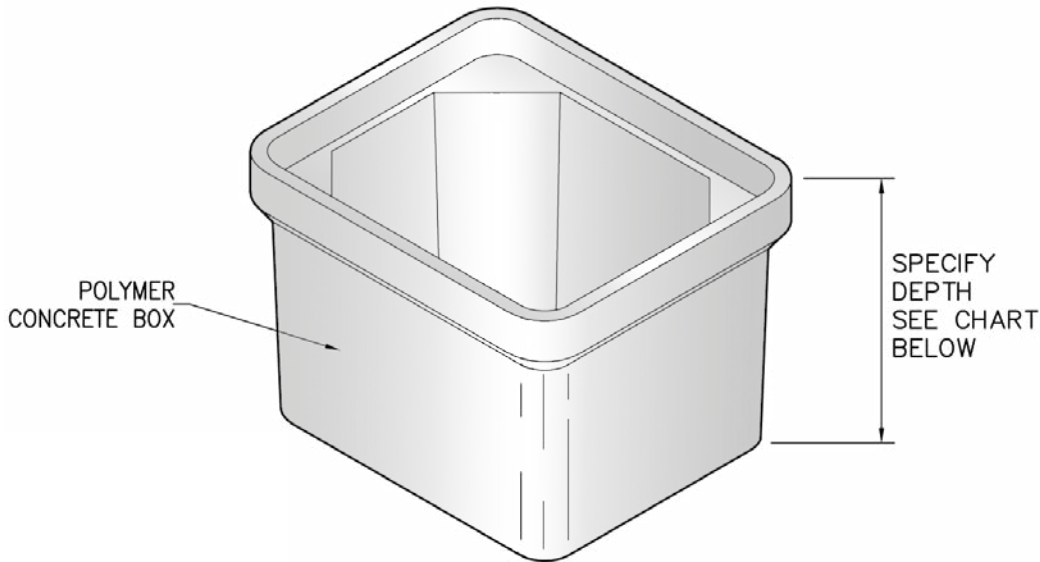
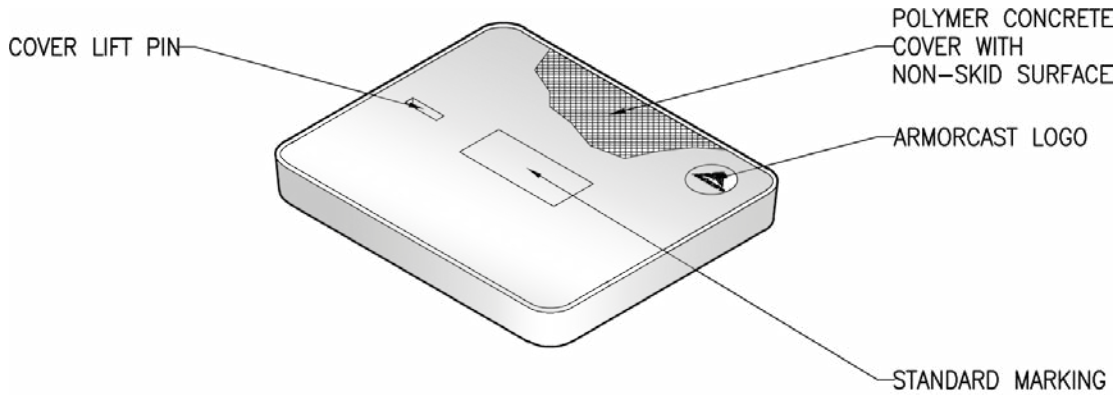
**POLYMER CONCRETE**

**ARMORCAST PRODUCTS COMPANY**

A6000490



LISTED  
FILE #E364252



POLYMER CONCRETE BOXES

### 20"W x 21"L BOX ASSEMBLIES Specify Depth Below

DESCRIPTION	NOMINAL SIZE W x L x D	LOAD RATING	ANSI TIER	PART NUMBER	APPROX. WEIGHT	PALLET QTY.
Box & Cover Assembly	20" x 21" x 12"	10K	8	A6000490A	100 lbs.	16
	20" x 21" x 12"	20K	15	A6000490TA	102 lbs.	16
Box & Cover Assembly	20" x 21" x 24"	10K	8	A6000490AX24	112 lbs.	8
	20" x 21" x 24"	20K	15	A6000490TAX24	114 lbs.	8

### COMPONENTS

MORE COVER VARIATIONS ARE AVAILABLE IN OUR "COVER SECTION"

DESCRIPTION	NOMINAL SIZE W x L x D	LOAD RATING	ANSI TIER	PART NUMBER	APPROX. WEIGHT	PALLET QTY.
Replacement Covers	20" x 21"	10K	8	A6000491	35 lbs.	40
	20" x 21"	20K	15	A6000491T	37 lbs.	40
Replacement Boxes	20" x 21" x 12"	10K / 20K	8 / 15	A6000490	65 lbs.	16
	20" x 21" x 24"	10K / 20K	8 / 15	A6000490X24	77 lbs.	8

- Boxes are Open Bottom and Stackable, also available with Solid Bottoms.
- For sizes not shown please contact Armorcast Products for more information.

THIS PRODUCT IS LISTED TO APPLICABLE UL STANDARDS AND REQUIREMENTS BY UL.

[www.armorcastprod.com](http://www.armorcastprod.com)

Tel: (818) 982-3600 Fax: (818) 982-7742



ARMORCAST PRODUCTS COMPANY

# 20" x 21" BOX ASSEMBLY

## STANDARD DIMENSIONS

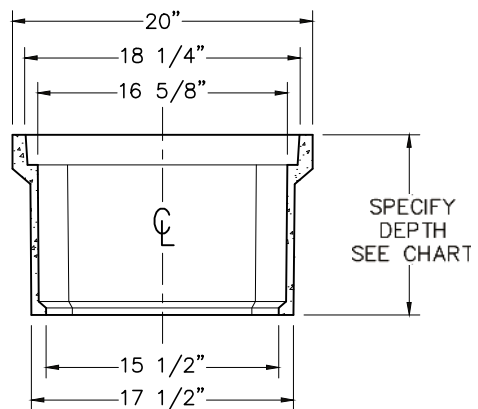
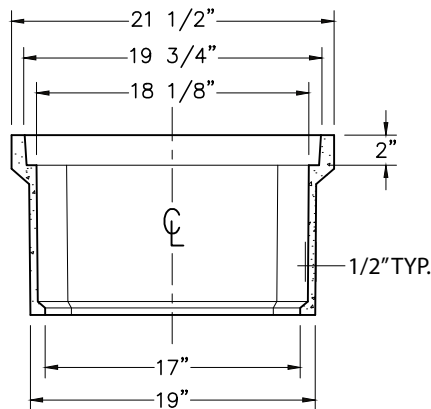
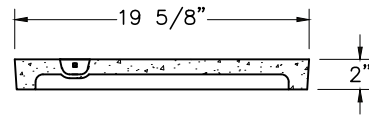
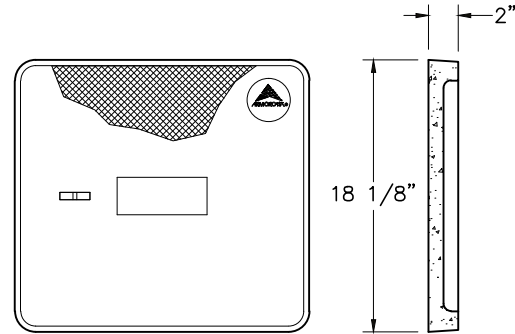
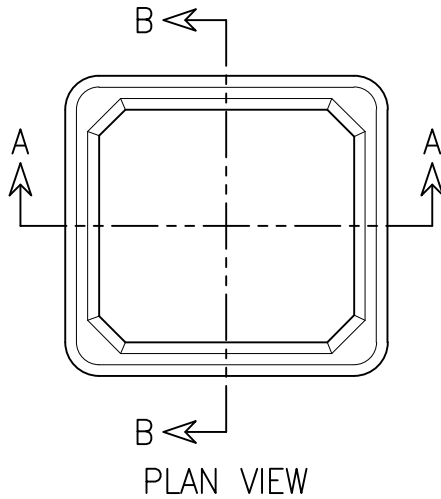
POLYMER CONCRETE

A6000490



LISTED

FILE #E364252



POLYMER CONCRETE BOXES

Armorcast Products Company reserves the right to update or discontinue product information at any time without notice.

THIS PRODUCT IS LISTED TO APPLICABLE UL STANDARDS AND REQUIREMENTS BY UL.

[www.armorcastprod.com](http://www.armorcastprod.com)

Tel: (818) 982-3600 Fax: (818) 982-7742