

# 17" x 30" FRP FLARED BOX ASSEMBLY

## 12" to 30" DEPTHS

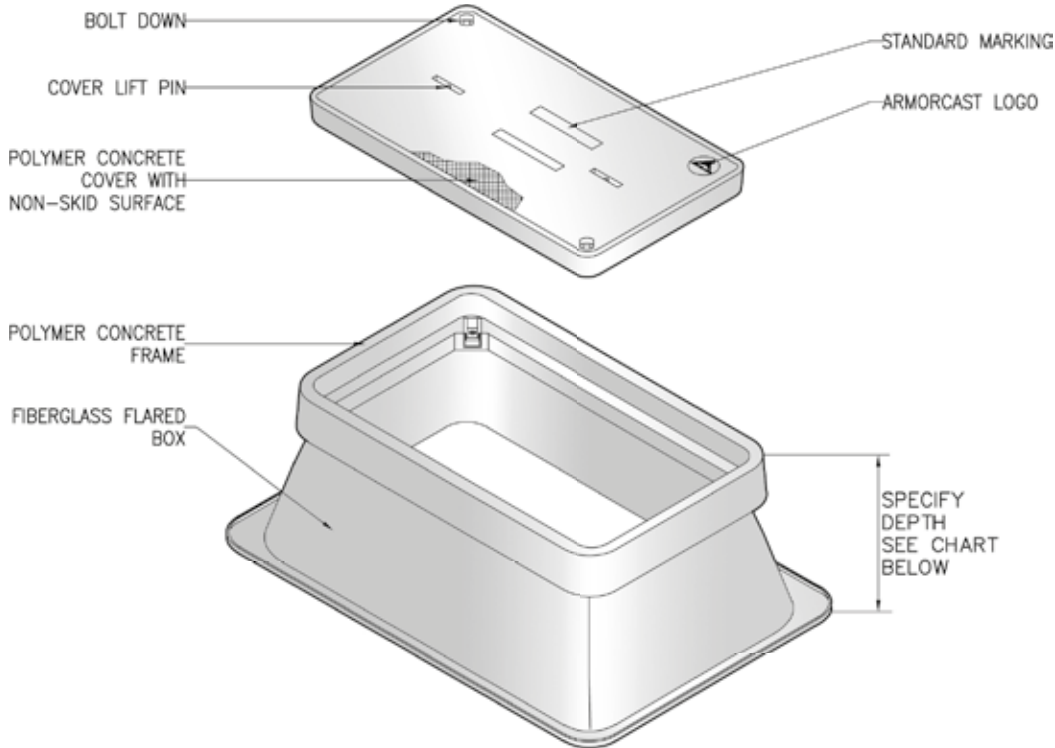


**FIBERGLASS**

**ARMORCAST PRODUCTS COMPANY**

A6001640

A6001946



### 17"W x 30"L FRP FLARED BOX ASSEMBLIES Specify Depth Below

DESCRIPTION	NOMINAL SIZE W x L x D	LOAD RATING	ANSI TIER	PART NUMBER	APPROX. WEIGHT	PALLET QTY.
Box & Cover Assembly	17" x 30" x 12"	10K	8	A6001640AX12	84 lbs.	16
	17" x 30" x 12"	20K	15	A6001640TAX12	112 lbs.	16
Box & Cover Assembly	17" x 30" x 18"	10K	8	A6001640AX18	93 lbs.	16
	17" x 30" x 18"	20K	15	A6001640TAX18	123 lbs.	16
Box & Cover Assembly	17" x 30" x 24"	10K	8	A6001640AX24	109 lbs.	12
	17" x 30" x 24"	20K	15	A6001640TAX24	142 lbs.	12
Box & Cover Assembly	17" x 30" x 30"	10K	8	A6001640AX30	126 lbs.	10
	17" x 30" x 30"	20K	15	A6001640TAX30	157 lbs.	10

### COMPONENTS

DESCRIPTION	NOMINAL SIZE W x L x D	LOAD RATING	ANSI TIER	PART NUMBER	APPROX. WEIGHT	PALLET QTY.
Replacement Covers	17" x 30"	10K	8	A6001643	44 lbs.	30
	17" x 30"	20K	15	A6001947T	70 lbs.	30
Replacement Boxes	17" x 30" x 12"	10K / 20K	8 / 15	A6001640X12	40 lbs.	16
	17" x 30" x 18"	10K / 20K	8 / 15	A6001640X18	49 lbs.	16
	17" x 30" x 24"	10K / 20K	8 / 15	A6001640X24	65 lbs.	12
	17" x 30" x 30"	10K / 20K	8 / 15	A6001640X30	82 lbs.	12
Extensions 18" Boxes Only	17" x 30" x 8"	10K / 20K	8 / 15	A6001640EX8	38 lbs.	16
	17" x 30" x 16"	10K / 20K	8 / 15	A6001640EX16	48 lbs.	8

- Boxes are Open Bottom.
- For sizes not shown please contact Armorcast Products for more information

[www.armorcastprod.com](http://www.armorcastprod.com)

Tel: (818) 982-3600 Fax: (818) 982-7742



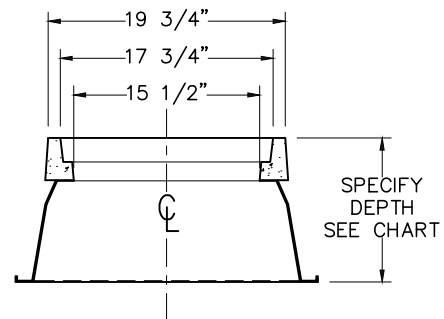
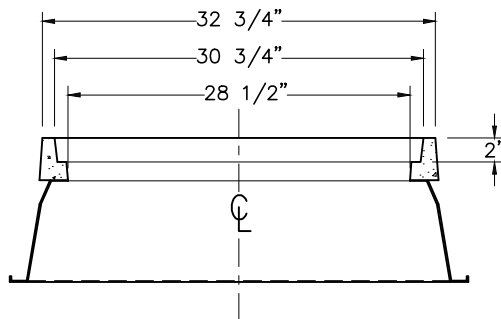
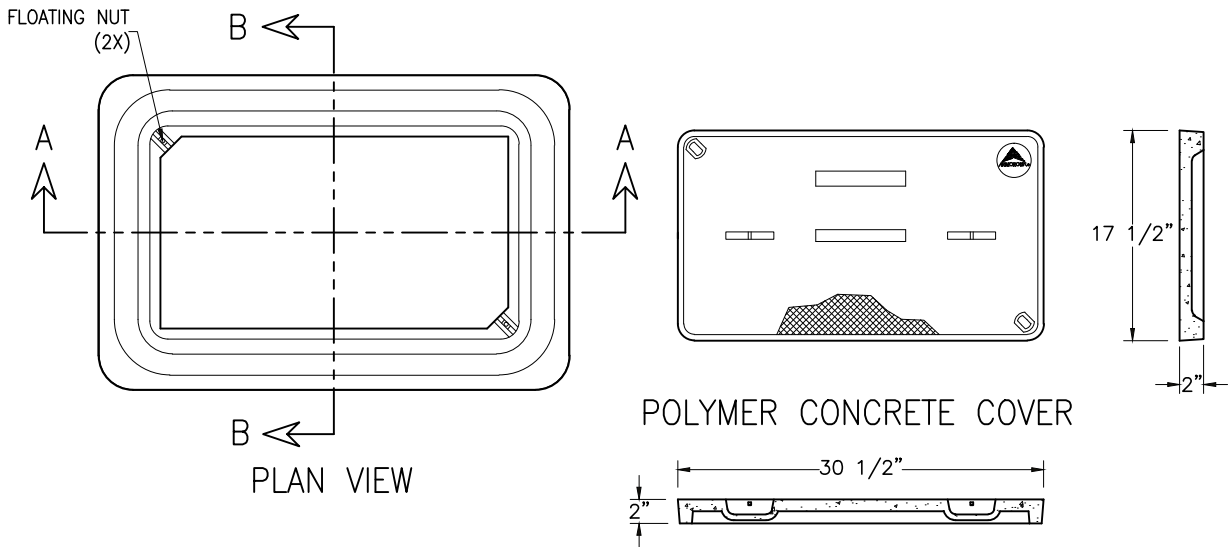
# 17" x 30" FRP FLARED BOX ASSEMBLY

## STANDARD DIMENSIONS

ARMORCAST PRODUCTS COMPANY

FIBERGLASS

A6001640



Armorcast Products Company reserves the right to update or discontinue product information at any time without notice.

[www.armorcastprod.com](http://www.armorcastprod.com)

Tel: (818) 982-3600 Fax: (818) 982-7742