

17" x 30" FRP BOX ASSEMBLY

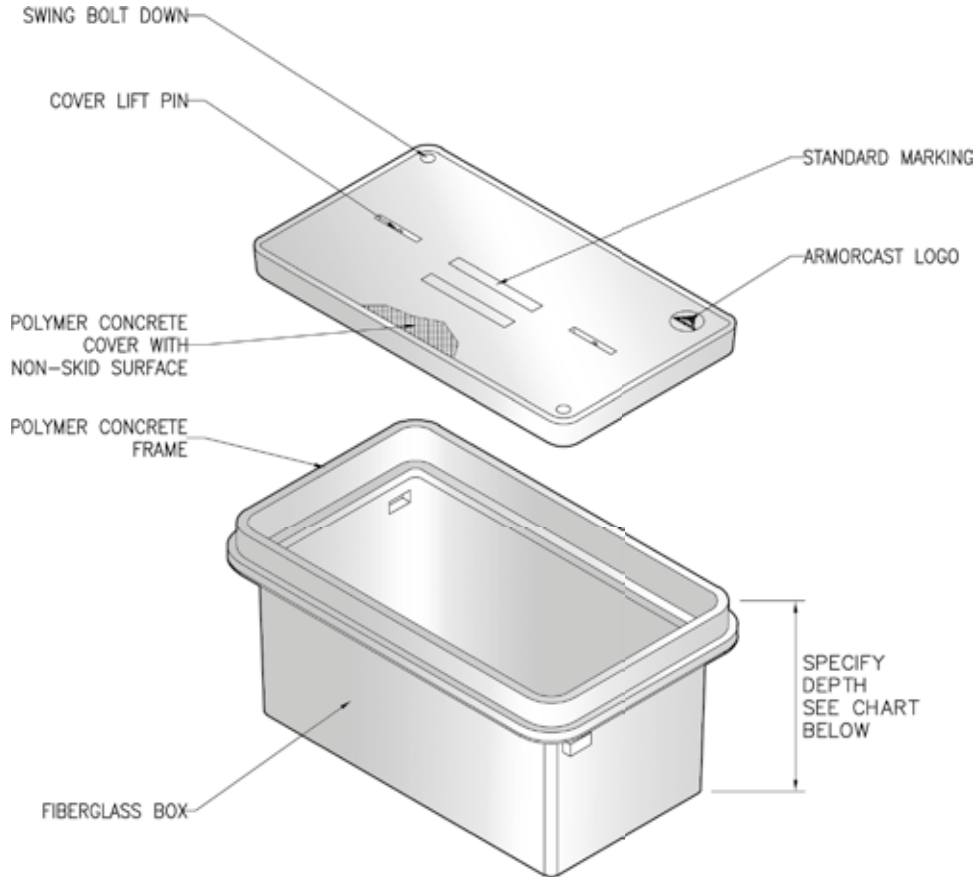
18" to 30" DEPTHS



FIBERGLASS

ARMORCAST PRODUCTS COMPANY

A6001785 / A6001534 / A6001989



17"W x 30"L FRP BOX ASSEMBLIES Specify Depth Below

DESCRIPTION	NOMINAL SIZE W x L x D	LOAD RATING	ANSI TIER	PART NUMBER	APPROX. WEIGHT	PALLET QTY.
Box & Cover Assembly	17" x 30" x 18"	10K	8	A6001785AX18	86 lbs.	6
	17" x 30" x 18"	20K	15	A6001785TAX18	112 lbs.	6
Box & Cover Assembly	17" x 30" x 22"	10K	8	A6001534AX22	94 lbs.	6
	17" x 30" x 22"	20K	15	A6001534TAX22	120 lbs.	6
Box & Cover Assembly	17" x 30" x 30"	10K	8	A6001989AX30	105 lbs.	3
	17" x 30" x 30"	20K	15	A6001989TAX30	131 lbs.	3

COMPONENTS

MORE COVER VARIATIONS ARE AVAILABLE IN OUR "COVER SECTION"

DESCRIPTION	NOMINAL SIZE W x L x D	LOAD RATING	ANSI TIER	PART NUMBER	APPROX. WEIGHT	PALLET QTY.
Replacement Covers	17" x 30"	10K	8	A6001643	44 lbs.	30
	17" x 30"	20K	15	A6001947T	70 lbs.	30
Replacement Boxes	17" x 30" x 15"	10K / 20K	8 / 15	A6001785X18	42 lbs.	6
	17" x 30" x 22"	10K / 20K	8 / 15	A6001534X22	50 lbs.	6
	17" x 30" x 30"	10K / 20K	8 / 15	A6001989X30	61 lbs.	3

- Boxes are Open Bottom.
- For sizes not shown please contact Armorcast Products for more information

www.armorcastprod.com

Tel: (818) 982-3600 Fax: (818) 982-7742



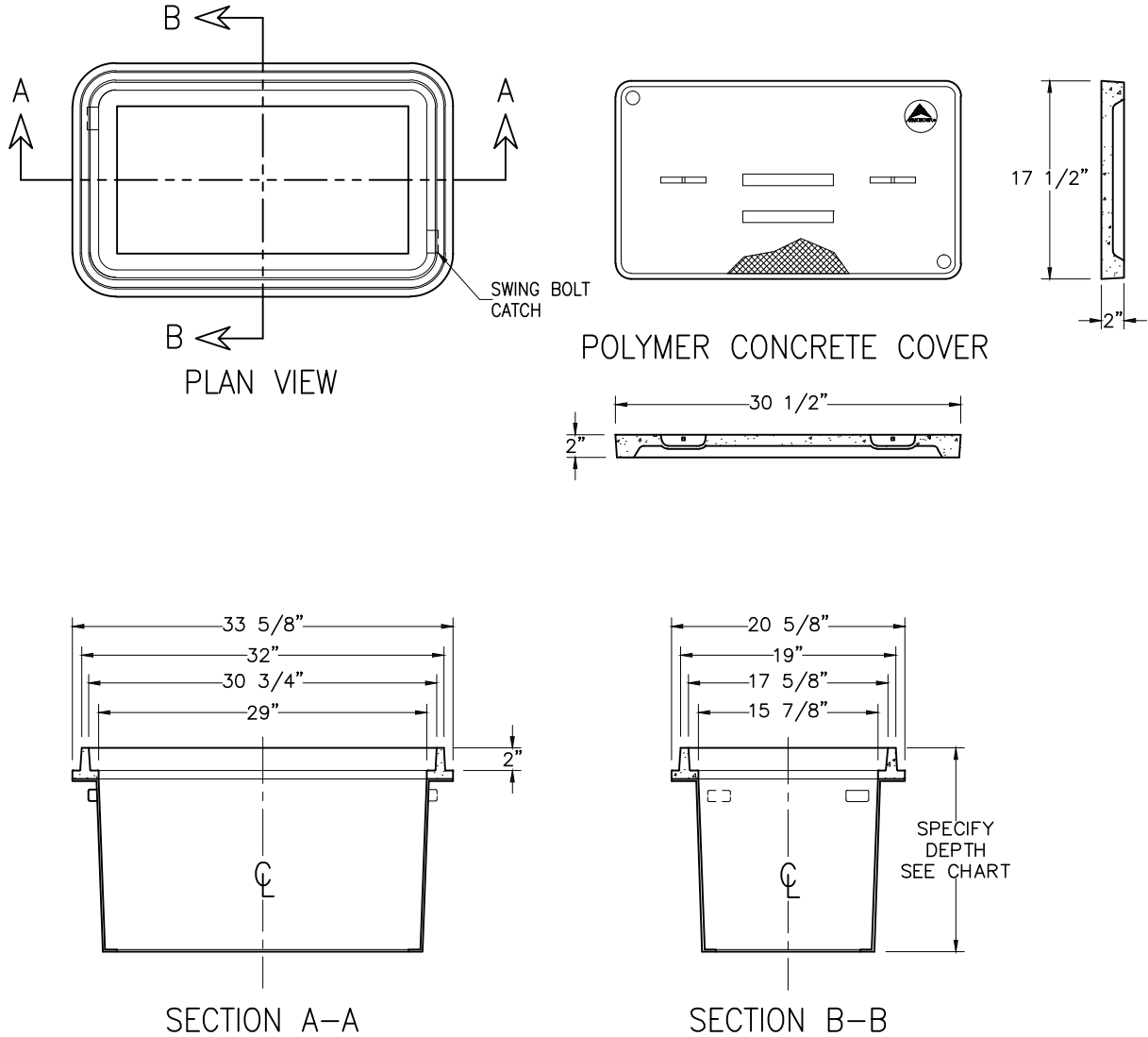
ARMORCAST PRODUCTS COMPANY

17" x 30" FRP BOX ASSEMBLY

STANDARD DIMENSIONS

FIBERGLASS

A6001785 / A6001534 / A6001989



Armorcast Products Company reserves the right to update or discontinue product information at any time without notice.

www.armorcastprod.com

Tel: (818) 982-3600 Fax: (818) 982-7742

FIBERGLASS
BOXES