

14" x 22" PEDESTAL ASSEMBLY

STRAIGHT LINE

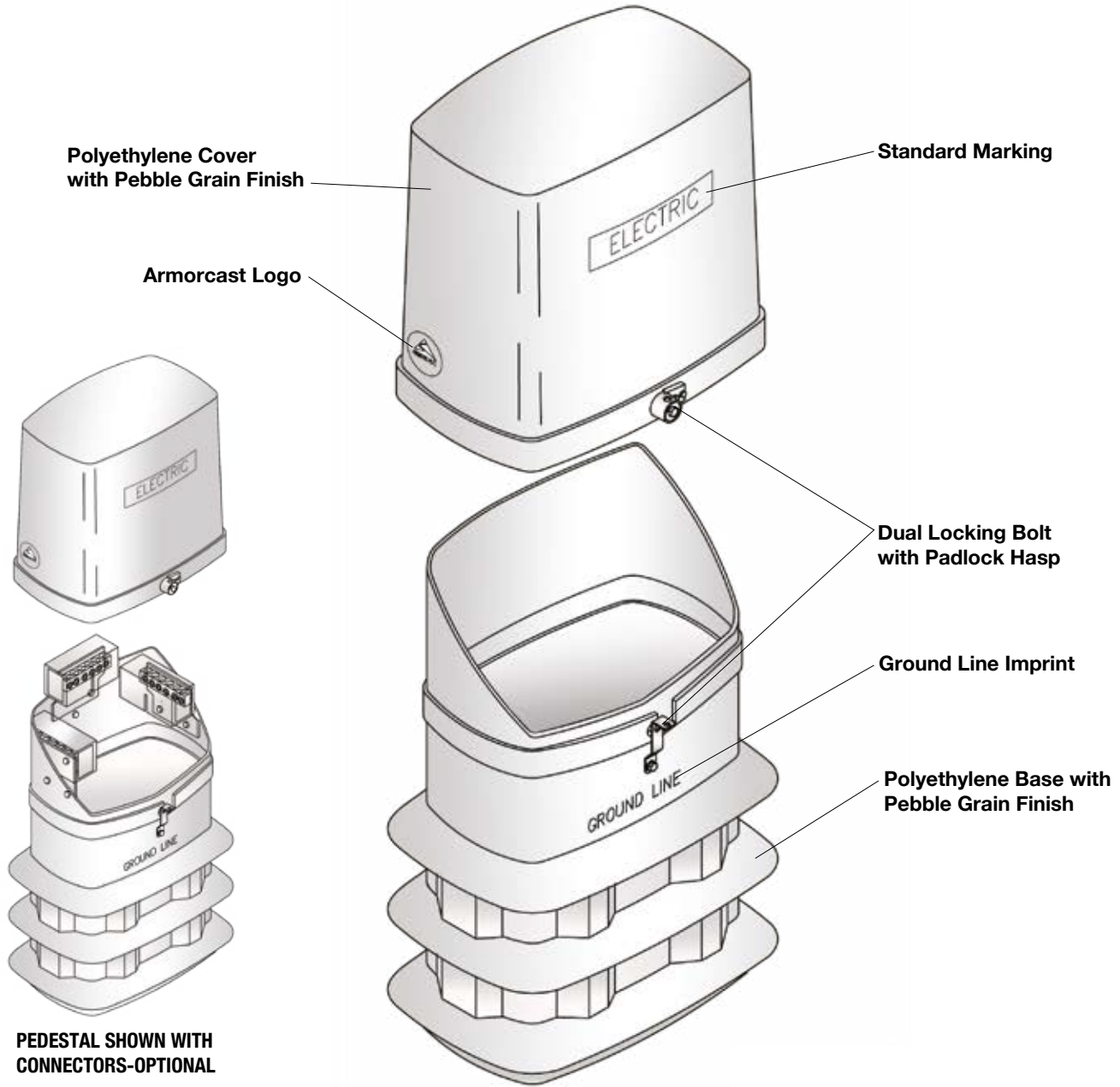


POLYETHYLENE

ARMORCAST PRODUCTS COMPANY

P6001686

PEDESTALS



PEDESTAL SHOWN WITH CONNECTORS-OPTIONAL

14" x 22" STRAIGHT LINE PEDESTAL ASSEMBLY

DESCRIPTION	NOMINAL SIZE W x L x D	DOMES HEIGHT	ABOVE GRADE	PART NUMBER	APPROX. WEIGHT	PALLET QTY.
Straight Line Pedestal	14" x 22" x 34"	20	26	P6001686A	46 lbs	6



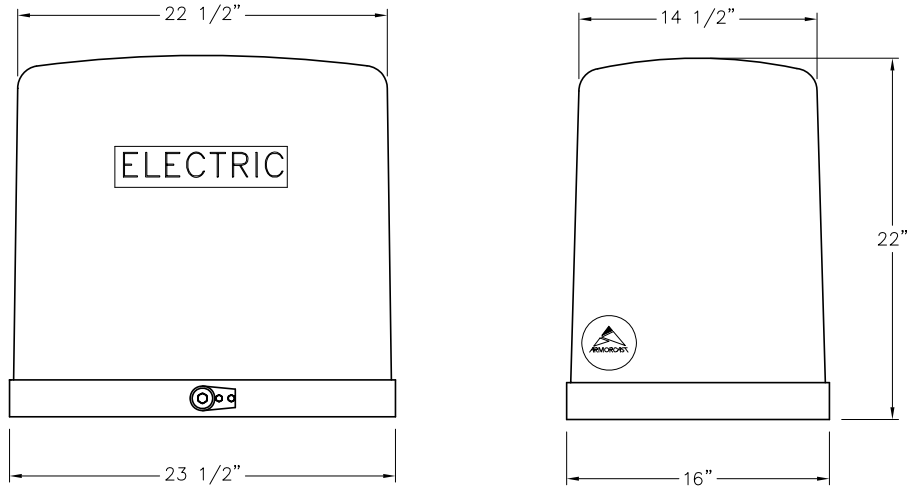
14" x 22" PEDESTAL ASSEMBLY

STRAIGHT LINE

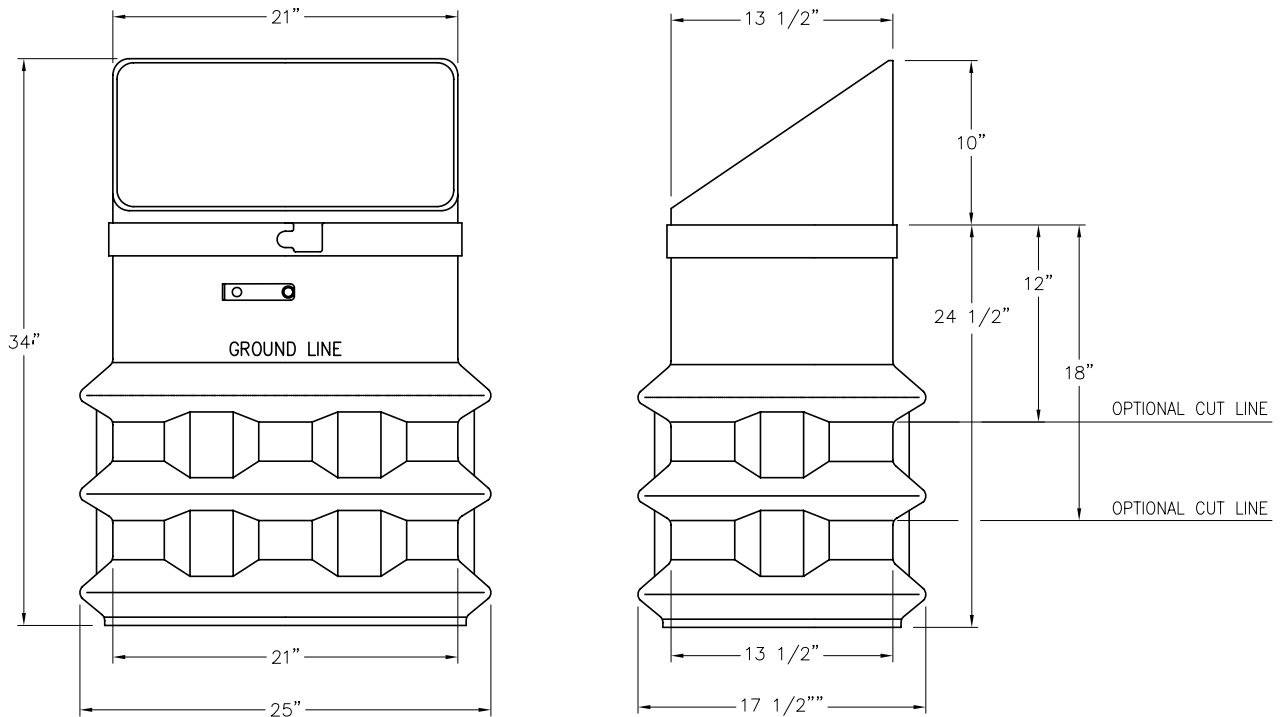
ARMORCAST PRODUCTS COMPANY

POLYETHYLENE

P6001686



POLYETHYLENE COVER



POLYETHYLENE BASE

Armorcast Products Company reserves the right to update or discontinue product information at any time without notice.

www.armorcastprod.com

Tel: (818) 982-3600 Fax: (818) 982-7742

PEDESTALS