

# 13" x 24" FRP BOX ASSEMBLY

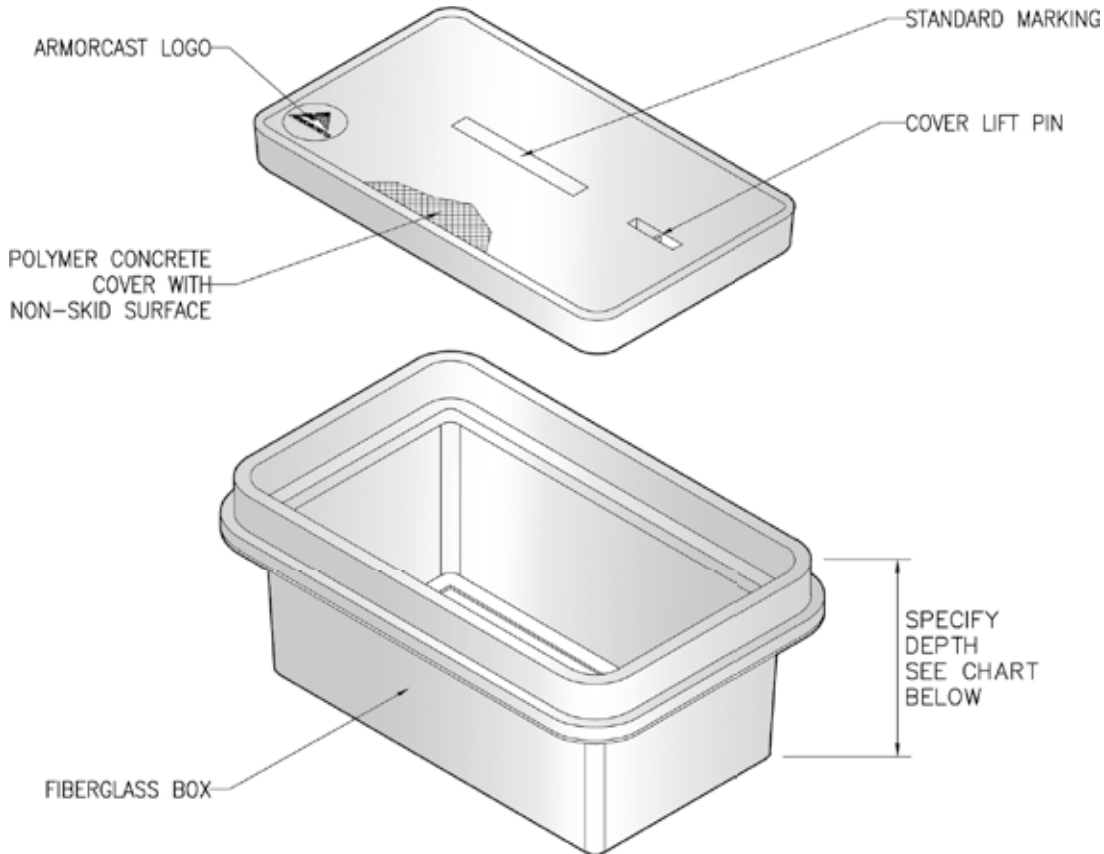
## 15" & 18" DEPTHS



**FIBERGLASS**

**ARMORCAST PRODUCTS COMPANY**

A6001868



### 13"W x 24"L FRP BOX ASSEMBLIES Specify Depth Below

DESCRIPTION	NOMINAL SIZE W x L x D	LOAD RATING	ANSI TIER	PART NUMBER	APPROX. WEIGHT	PALLET QTY.
Box & Cover Assembly	13" x 24" x 15"	10K	8	A6001868AX15	58 lbs.	15
	13" x 24" x 15"	20K	15	A6001868TAX15	66 lbs.	15
Box & Cover Assembly	13" x 24" x 18"	10K	8	A6001868AX18	66 lbs.	10
	13" x 24" x 18"	20K	15	A6001868TAX18	74 lbs.	10

### COMPONENTS

MORE COVER VARIATIONS ARE AVAILABLE IN OUR "COVER SECTION"

DESCRIPTION	NOMINAL SIZE W x L x D	LOAD RATING	ANSI TIER	PART NUMBER	APPROX. WEIGHT	PALLET QTY.
Replacement Covers	13" x 24"	10K	8	A6001866	33 lbs.	50
	13" x 24"	20K	15	A6001969	41 lbs.	50
Replacement Boxes	13" x 24" x 15"	10K / 20K	8 / 15	A6001868X15	25 lbs.	15
	13" x 24" x 18"	10K / 20K	8 / 15	A6001868X18	33 lbs.	10

- Boxes are Open Bottom.
- For sizes not shown please contact Armorcast Products for more information

[www.armorcastprod.com](http://www.armorcastprod.com)

Tel: (818) 982-3600 Fax: (818) 982-7742



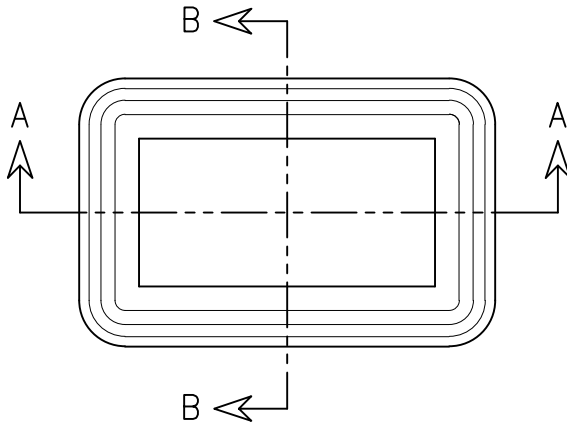
# 13" x 24" FRP BOX ASSEMBLY

## STANDARD DIMENSIONS

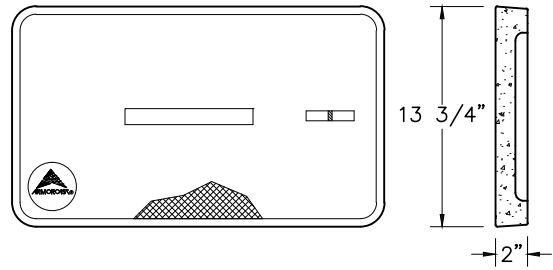
ARMORCAST PRODUCTS COMPANY

FIBERGLASS

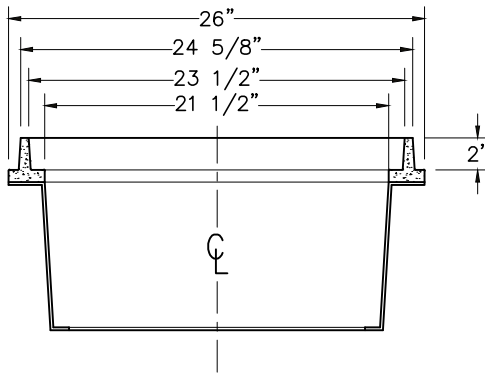
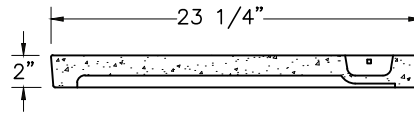
A6001868



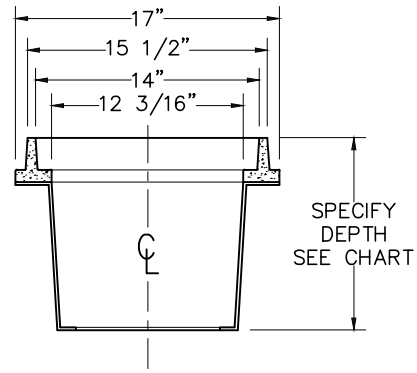
PLAN VIEW



POLYMER CONCRETE COVER



SECTION A-A



SECTION B-B

Armorcast Products Company reserves the right to update or discontinue product information at any time without notice.

[www.armorcastprod.com](http://www.armorcastprod.com)

Tel: (818) 982-3600 Fax: (818) 982-7742

FIBERGLASS  
BOXES