

# 13" x 24" FRP FLARED BOX ASSEMBLY

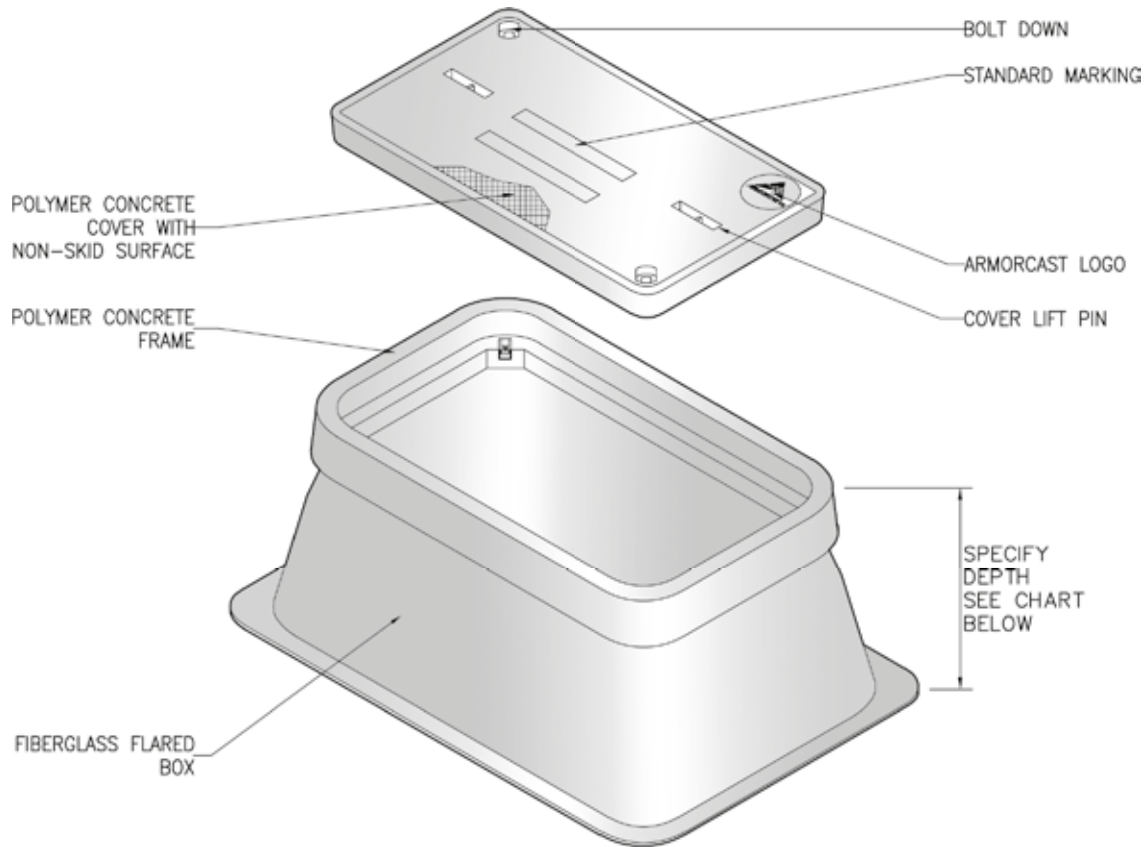
## 12" & 24" DEPTHS



**FIBERGLASS**

**ARMORCAST PRODUCTS COMPANY**

A6001946



### 13"W x 24"L FRP FLARED BOX ASSEMBLIES Specify Depth Below

DESCRIPTION	NOMINAL SIZE W x L x D	LOAD RATING	ANSI TIER	PART NUMBER	APPROX. WEIGHT	PALLET QTY.
Box & Cover Assembly	13" x 24" x 12"	10K	8	A6001946AX12	70 lbs.	16
	13" x 24" x 12"	20K	15	A6001946TAX12	81 lbs.	16
Box & Cover Assembly	13" x 24" x 18"	10K	8	A6001946AX18	74 lbs.	16
	13" x 24" x 18"	20K	15	A6001946TAX18	85 lbs.	16
Box & Cover Assembly	13" x 24" x 24"	10K	8	A6001946AX24	87 lbs.	12
	13" x 24" x 24"	20K	15	A6001946TAX24	98 lbs.	12

### COMPONENTS

DESCRIPTION	NOMINAL SIZE W x L x D	LOAD RATING	ANSI TIER	PART NUMBER	APPROX. WEIGHT	PALLET QTY.
Replacement Covers	13" x 24"	10K	8	A6001866	33 lbs.	50
	13" x 24"	20K	15	A6001969	41 lbs.	50
Replacement Boxes	13" x 24" x 12"	10K / 20K	8 / 15	A6001946X12	36 lbs.	16
	13" x 24" x 18"	10K / 20K	8 / 15	A6001946X18	46 lbs.	16
	13" x 24" x 24"	10K / 20K	8 / 15	A6001946X24	58 lbs.	12
Extensions 18" Boxes Only	13" x 24" x 8"	10K / 20K	8 / 15	A6001946EX8	31 lbs.	16
	13" x 24" x 16"	10K / 20K	8 / 15	A6001946EX16	43 lbs.	8

- Boxes are Open Bottom.
- For sizes not shown please contact Armorcast Products for more information

[www.armorcastprod.com](http://www.armorcastprod.com)

Tel: (818) 982-3600 Fax: (818) 982-7742



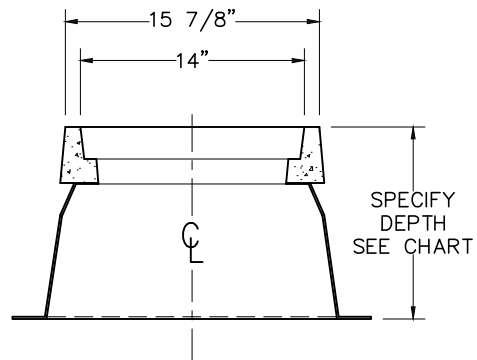
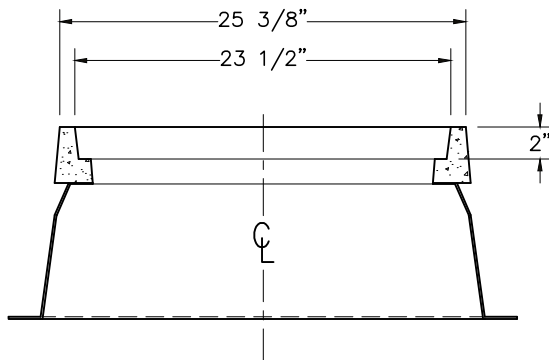
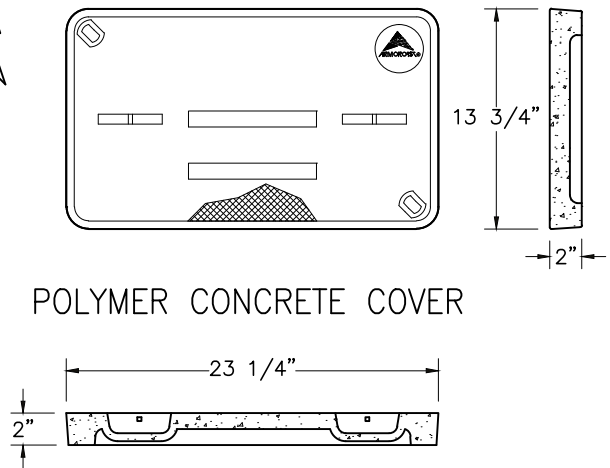
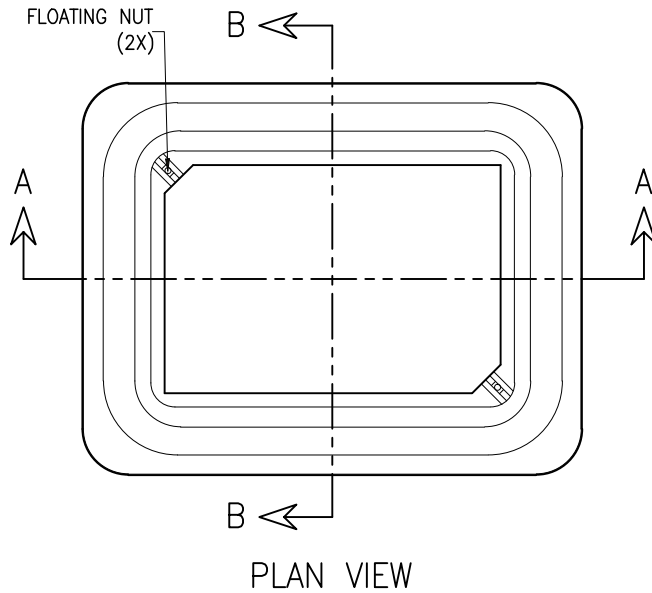
# 13" x 24" FRP FLARED BOX ASSEMBLY

## STANDARD DIMENSIONS

ARMORCAST PRODUCTS COMPANY

FIBERGLASS

A6001946



Armorcast Products Company reserves the right to update or discontinue product information at any time without notice.

[www.armorcastprod.com](http://www.armorcastprod.com)

Tel: (818) 982-3600 Fax: (818) 982-7742