

12" x 20" PEDESTAL ASSEMBLY

STRAIGHT LINE

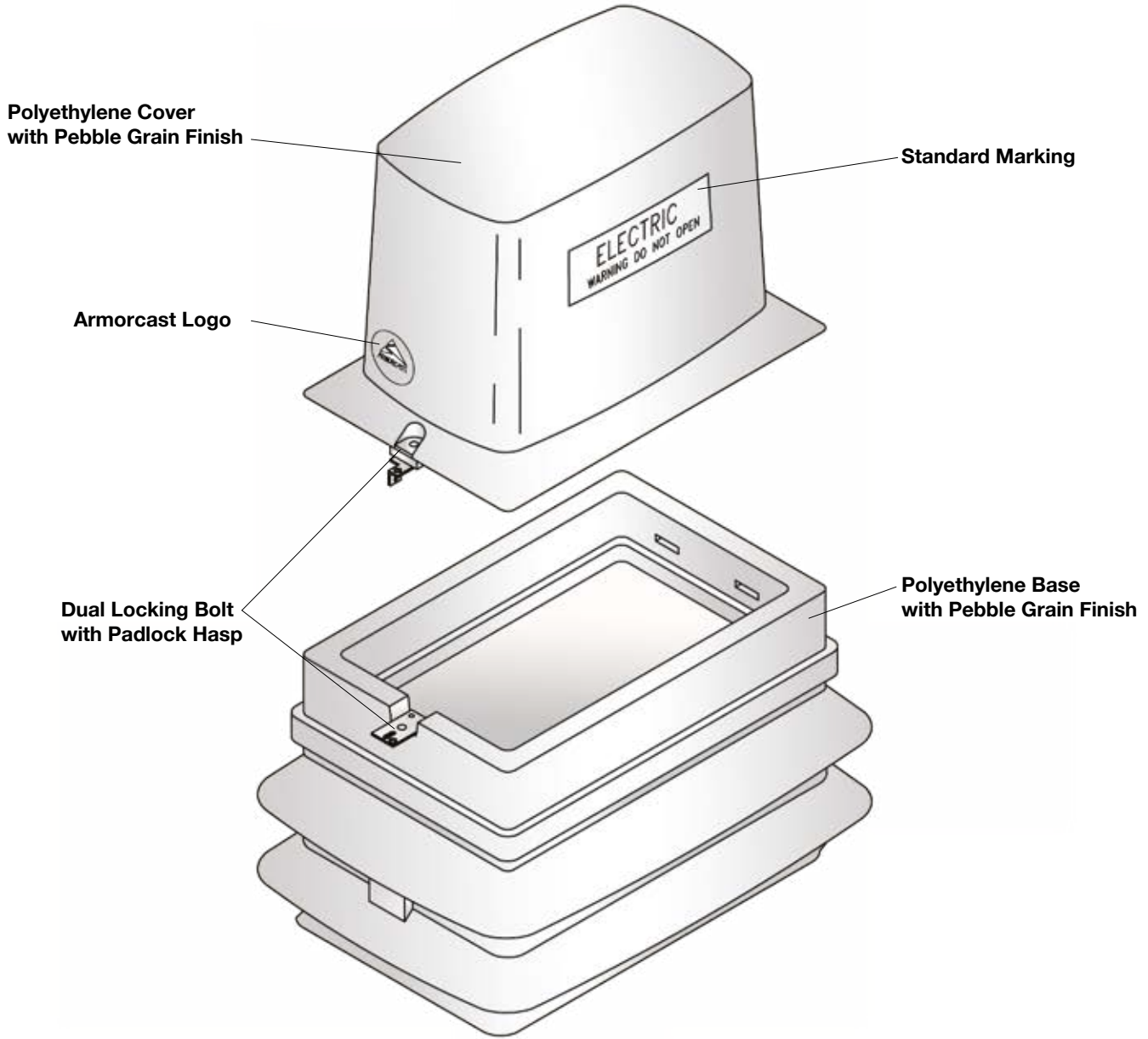


POLYETHYLENE

ARMORCAST PRODUCTS COMPANY

P6001682

PEDESTALS



12" x 20" LOW PROFILE / FLUSH MOUNT PEDESTAL ASSEMBLY

DESCRIPTION	NOMINAL SIZE W x L x D	DOMES HEIGHT	ABOVE GRADE	PART NUMBER	APPROX. WEIGHT	PALLET QTY.
Low Profile Pedestal	12" x 20" x 15"	17	19	P6001682A	23 lbs.	20
Flush Mount Pedestal	12" x 20" x 15"	0	0	P6001682AF	23 lbs.	20



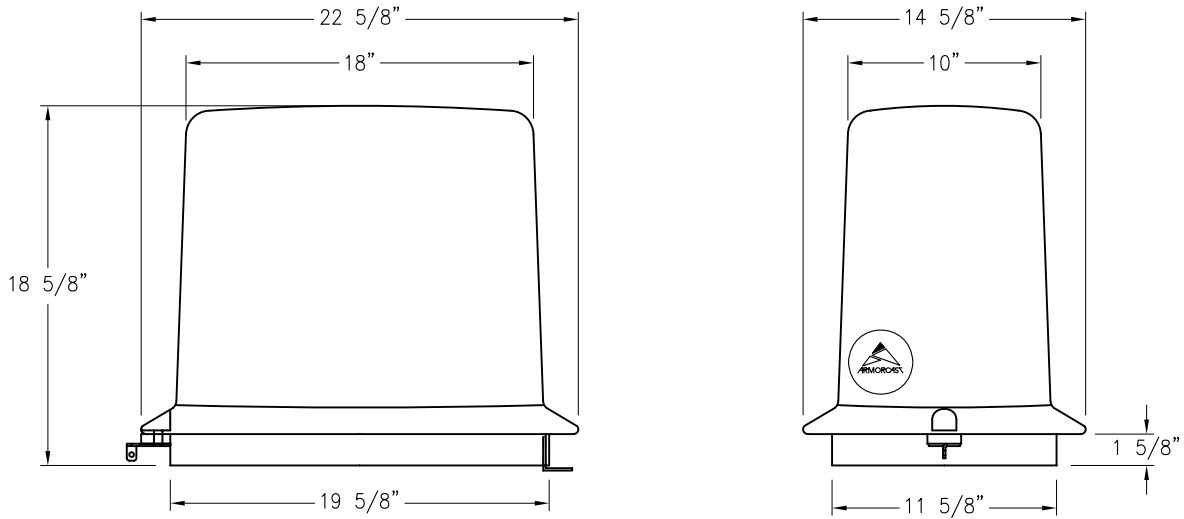
12" x 20" PEDESTAL ASSEMBLY

STRAIGHT LINE

ARMORCAST PRODUCTS COMPANY

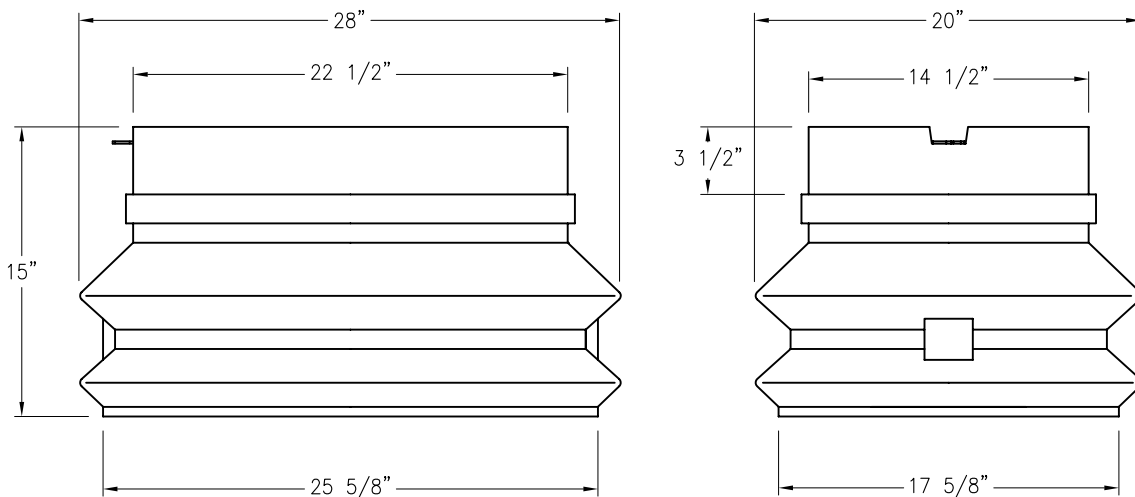
POLYETHYLENE

P6001682



PEDESTALS

POLYETHYLENE COVER



POLYETHYLENE BASE

Armorcast Products Company reserves the right to update or discontinue product information at any time without notice.

www.armorcastprod.com

Tel: (818) 982-3600 Fax: (818) 982-7742