

# 12" x 18" BOX ASSEMBLY

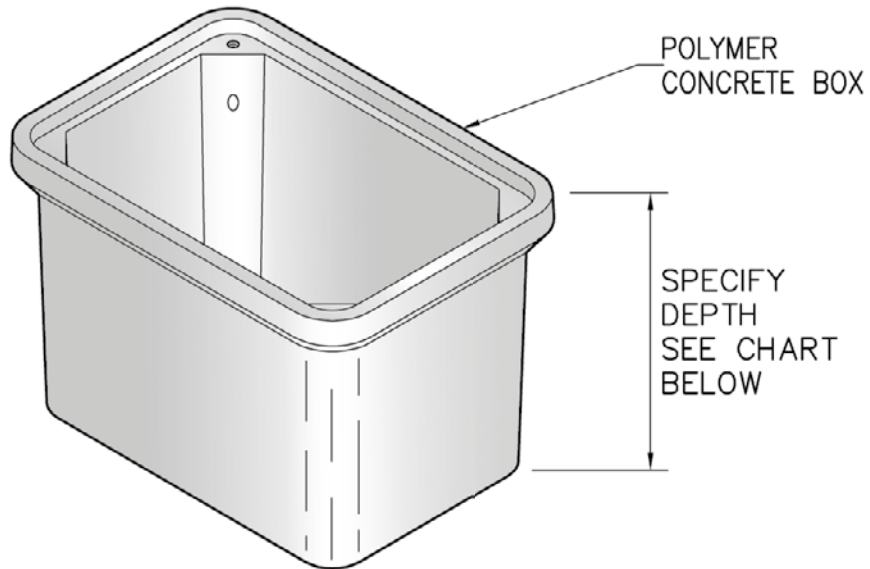
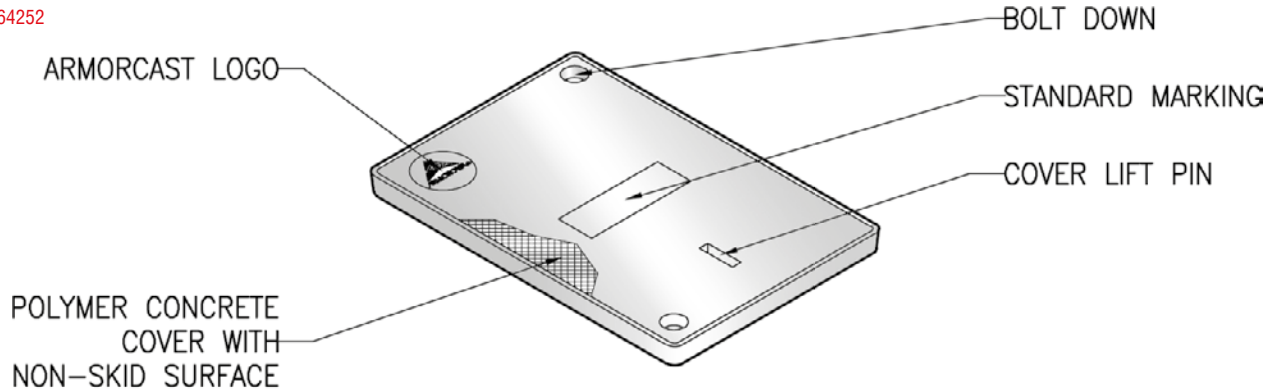
## 12" DEPTH



**POLYMER CONCRETE**

**ARMORCAST PRODUCTS COMPANY**

A6001425



POLYMER CONCRETE BOXES

### 12"W x 18"L BOX ASSEMBLIES Specify Depth Below

DESCRIPTION	NOMINAL SIZE W x L x D	LOAD RATING	ANSI TIER	PART NUMBER	APPROX. WEIGHT	PALLET QTY.
Box & Cover Assembly	12" x 18" x 12"	10K	8	A6001425A	58 lbs.	18
	12" x 18" x 12"	20K	15 / 22	A6001425TA / A6001425HDA	58 lbs.	18

### COMPONENTS

MORE COVER VARIATIONS ARE AVAILABLE IN OUR "COVER SECTION"

DESCRIPTION	NOMINAL SIZE W x L x D	LOAD RATING	ANSI TIER	PART NUMBER	APPROX. WEIGHT	PALLET QTY.
Replacement Covers	12" x 18"	10K	8	A6001426	17 lbs.	50
	12" x 18"	20K	15	A6001426T	17 lbs.	50
Replacement Box	12" x 18" x 12"	10K / 20K	22	A6001425	41 lbs.	18

- Boxes are Open Bottom and Stackable, also available with Solid Bottoms.
- For sizes not shown please contact Armorcast Products for more information.

THIS PRODUCT IS LISTED TO APPLICABLE UL STANDARDS AND REQUIREMENTS BY UL.

[www.armorcastprod.com](http://www.armorcastprod.com)

Tel: (818) 982-3600 Fax: (818) 982-7742



ARMORCAST PRODUCTS COMPANY

# 12" x 18" BOX ASSEMBLY

## STANDARD DIMENSIONS

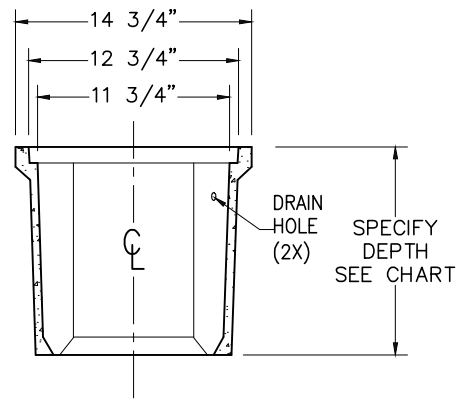
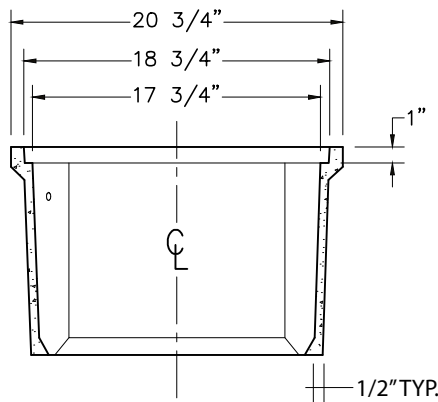
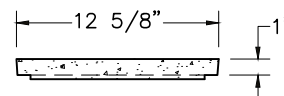
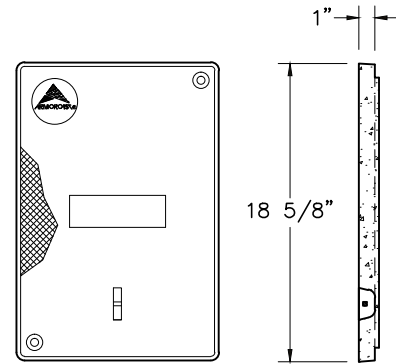
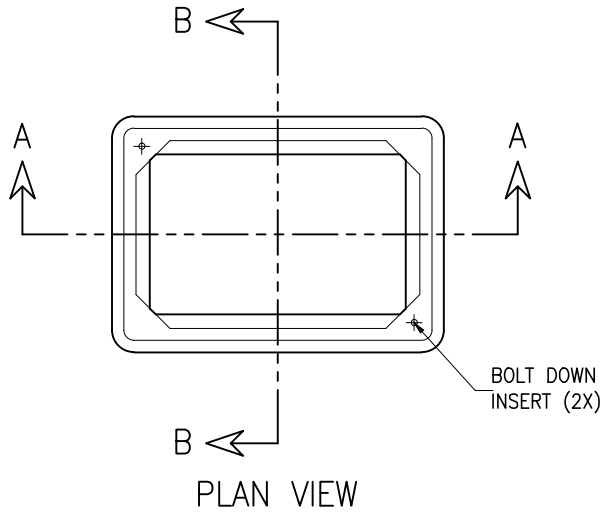
POLYMER CONCRETE

A6001425



LISTED

FILE #E364252



POLYMER CONCRETE BOXES

Armorcast Products Company reserves the right to update or discontinue product information at any time without notice.

THIS PRODUCT IS LISTED TO APPLICABLE UL STANDARDS AND REQUIREMENTS BY UL.

[www.armorcastprod.com](http://www.armorcastprod.com)

Tel: (818) 982-3600 Fax: (818) 982-7742