

12" x 16" PEDESTAL ASSEMBLY

STRAIGHT LINE

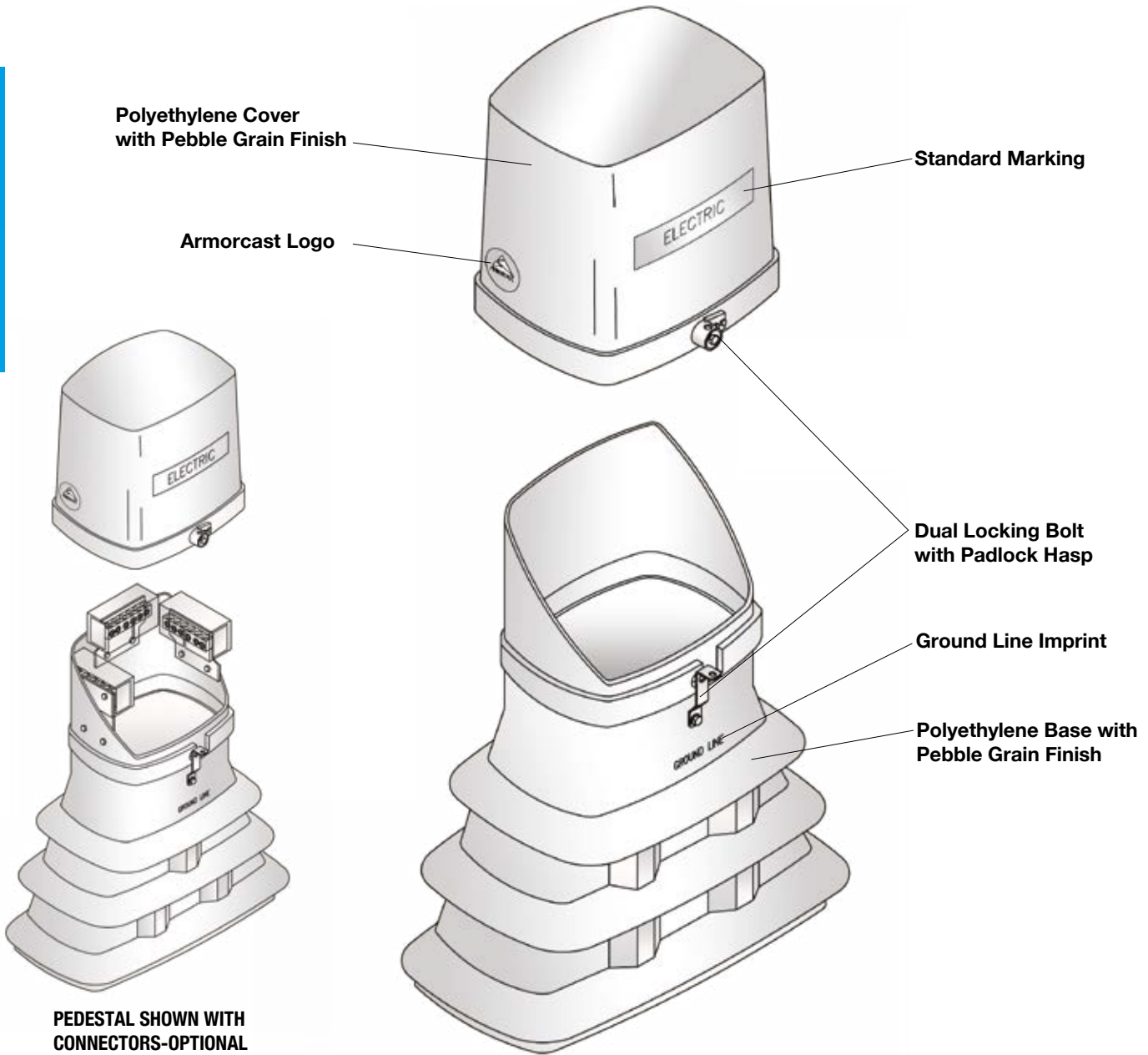


POLYETHYLENE

ARMORCAST PRODUCTS COMPANY

P6001685

PEDESTALS



12" x 16" WIDE BASE PEDESTAL ASSEMBLY

DESCRIPTION	NOMINAL SIZE W x L x D	DOVE HEIGHT	ABOVE GRADE	PART NUMBER	APPROX. WEIGHT	PALLET QTY.
Wide Base Pedestal	12" x 16" x 34"	17	22	P6001685A	26 lbs.	6



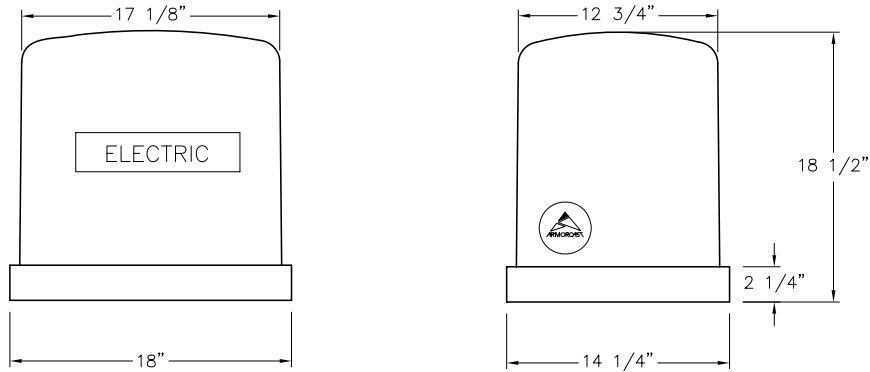
12" x 16" PEDESTAL ASSEMBLY

STRAIGHT LINE

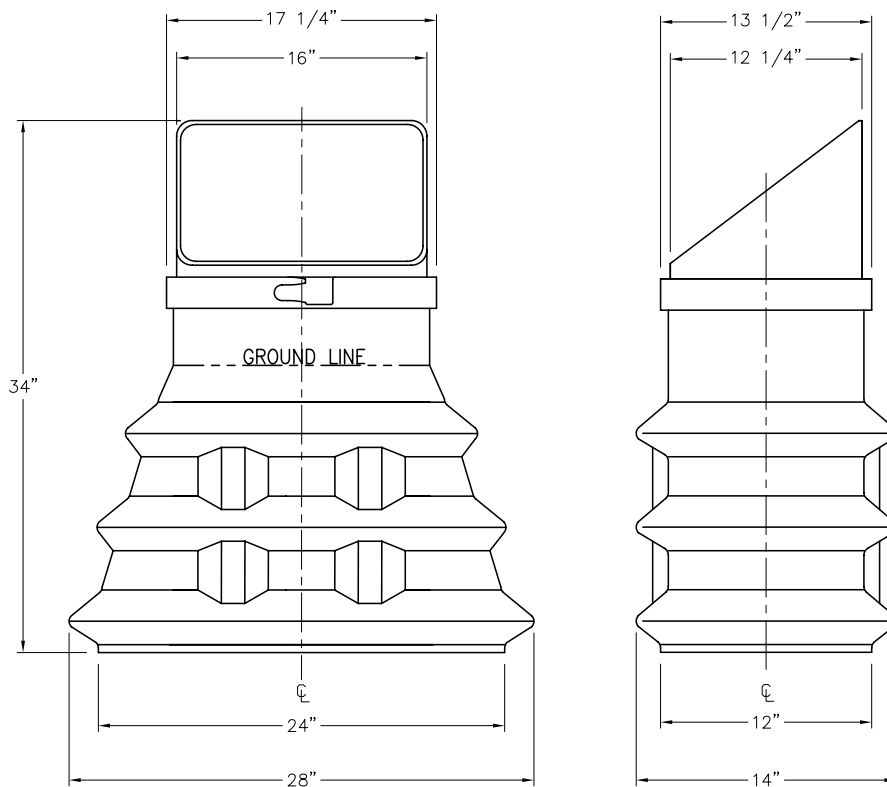
ARMORCAST PRODUCTS COMPANY

POLYETHYLENE

P6001685



POLYETHYLENE COVER



POLYETHYLENE BASE

Armorcast Products Company reserves the right to update or discontinue product information at any time without notice.

www.armorcastprod.com

Tel: (818) 982-3600 Fax: (818) 982-7742

PEDESTALS