

12" x 12" BOX ASSEMBLY

12" & 24" DEPTHS



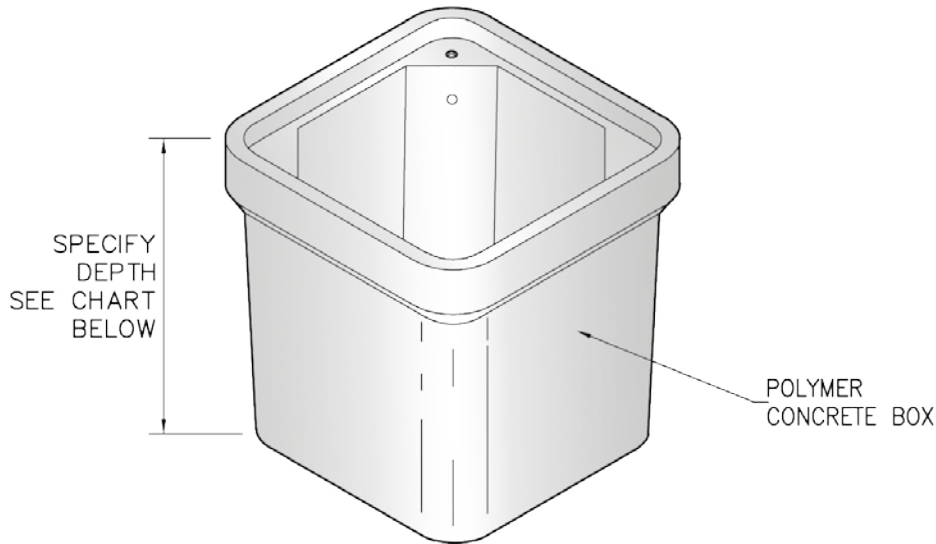
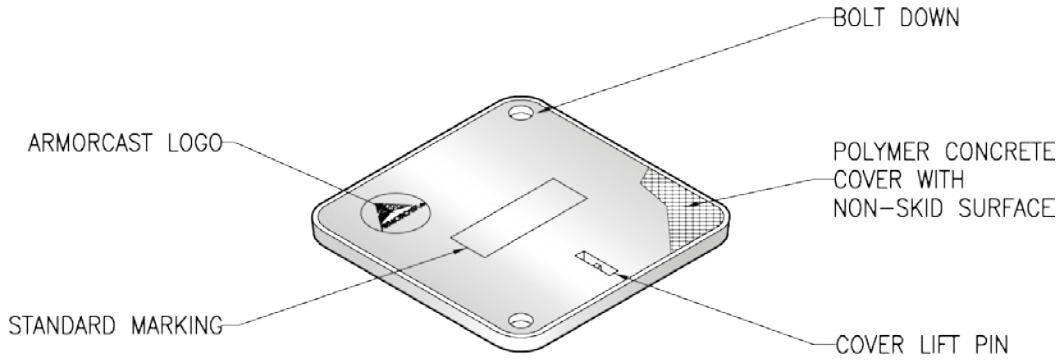
POLYMER CONCRETE

ARMORCAST PRODUCTS COMPANY

A6001423



LISTED
FILE #E364252



POLYMER CONCRETE BOXES

12"W x 12"L BOX ASSEMBLIES Specify Depth Below

DESCRIPTION	NOMINAL SIZE W x L x D	LOAD RATING	ANSI TIER	PART NUMBER	APPROX. WEIGHT	PALLET QTY.
Box & Cover Assembly	12" x 12" x 12"	10K	8	A6001423A	42 lbs.	27
	12" x 12" x 12"	20K	15 / 22	A6001423TA / A6001423HD	46 lbs.	27
Box & Cover Assembly	12" x 12" x 24"	10K	8	A6001423AX24	72 lbs.	9
	12" x 12" x 24"	20K	15 / 22	A6001423TAX24 / A6001423HDAX24	76 lbs.	9

COMPONENTS

MORE COVER VARIATIONS ARE AVAILABLE IN OUR "COVER SECTION"

DESCRIPTION	NOMINAL SIZE W x L x D	LOAD RATING	ANSI TIER	PART NUMBER	APPROX. WEIGHT	PALLET QTY.
Replacement Covers	12" x 12"	10K	8	A6001422	15 lbs.	50
	12" x 12"	20K	15	A6001422T	19 lbs.	50
Replacement Boxes	12" x 12" x 12"	10K / 20K	22	A6001423	27 lbs.	18
	12" x 12" x 24"	10K / 20K	22	A6001423X24	57 lbs.	9

- Boxes are Open Bottom and Stackable, also available with Solid Bottoms.
- For sizes not shown please contact Armorcast Products for more information.

THIS PRODUCT IS LISTED TO APPLICABLE UL STANDARDS AND REQUIREMENTS BY UL.

www.armorcastprod.com

Tel: (818) 982-3600 Fax: (818) 982-7742



ARMORCAST PRODUCTS COMPANY

12" x 12" BOX ASSEMBLY

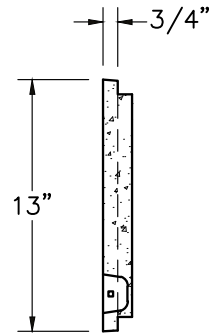
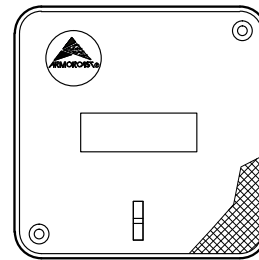
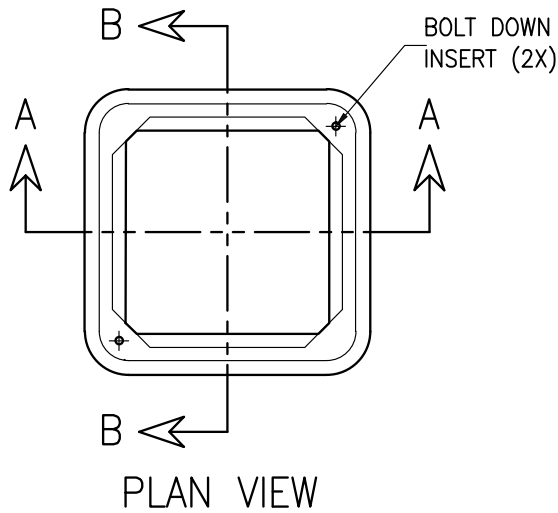
STANDARD DIMENSIONS

POLYMER CONCRETE

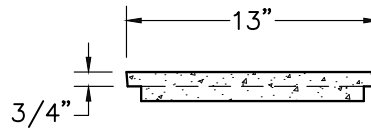
A6001423



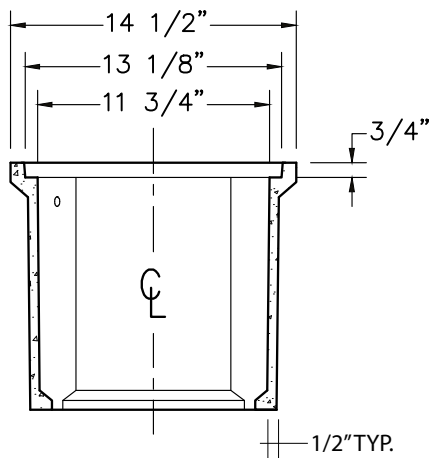
FILE #E364252



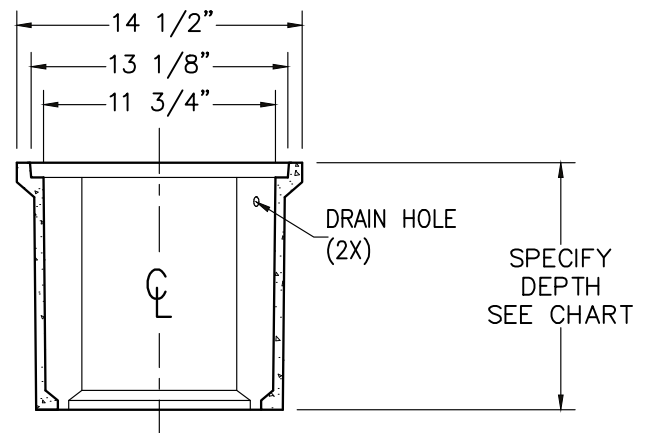
POLYMER CONCRETE COVER



POLYMER CONCRETE BOXES



SECTION A-A



SECTION B-B

Armorcast Products Company reserves the right to update or discontinue product information at any time without notice.

THIS PRODUCT IS LISTED TO APPLICABLE UL STANDARDS AND REQUIREMENTS BY UL.

www.armorcastprod.com

Tel: (818) 982-3600 Fax: (818) 982-7742