

# 12" x 12" FLARED BOX ASSEMBLY

## 24" DEPTH



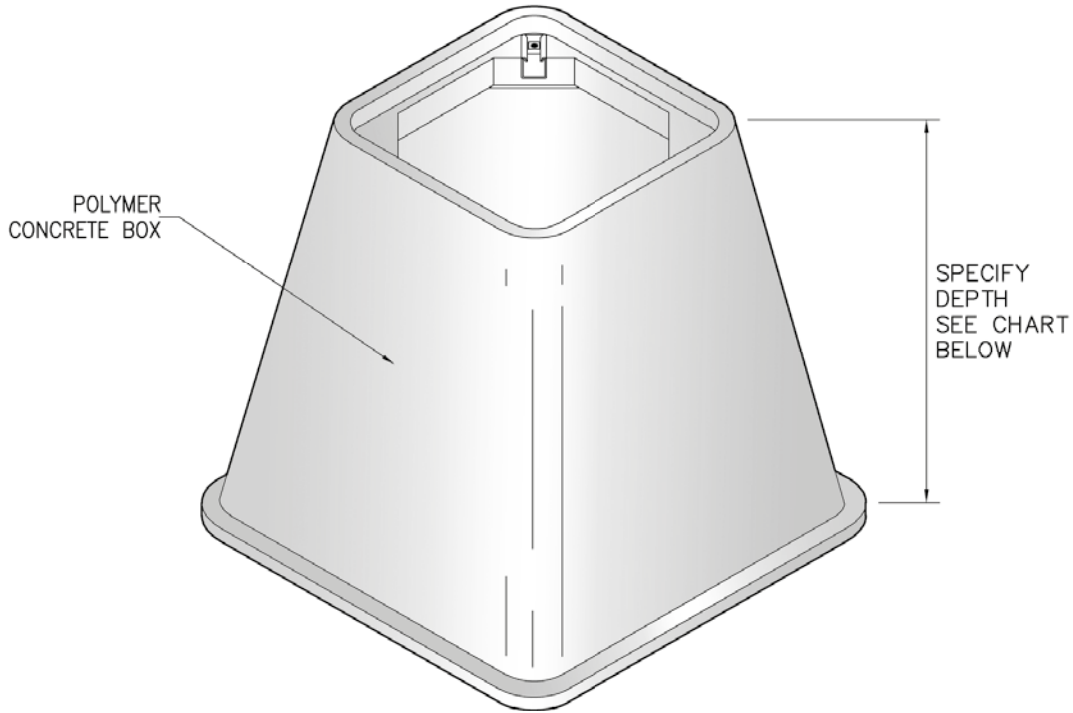
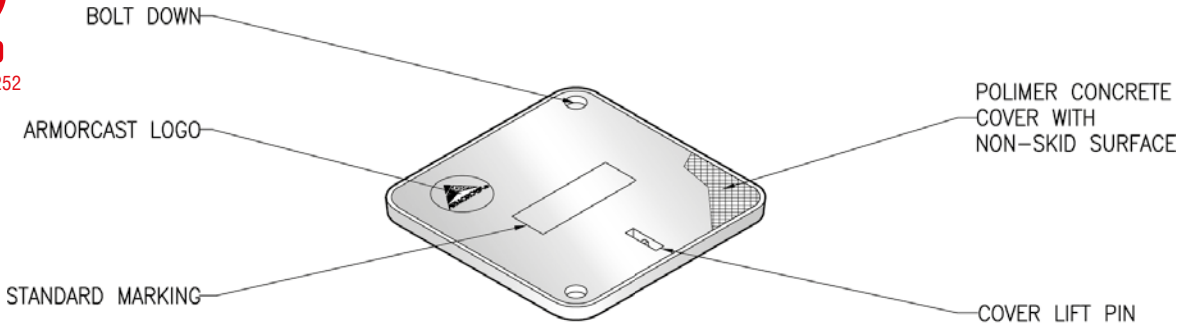
**POLYMER CONCRETE**

**ARMORCAST PRODUCTS COMPANY**

A6001212



LISTED  
FILE #E364252



POLYMER CONCRETE BOXES

### 12"W x 12"L FLARED BOX ASSEMBLIES Specify Depth Below

DESCRIPTION	NOMINAL SIZE W x L x D	LOAD RATING	ANSI TIER	PART NUMBER	APPROX. WEIGHT	PALLET QTY.
Box & Cover Assembly	12" x 12" x 24"	10K	8	A6001212AX24	77 lbs.	16
	12" x 12" x 24"	20K	15 / 22	A6001212TAX24 / A6001212HDAX24	81 lbs.	16

### COMPONENTS

MORE COVER VARIATIONS ARE AVAILABLE IN OUR "COVER SECTION"

DESCRIPTION	NOMINAL SIZE W x L x D	LOAD RATING	ANSI TIER	PART NUMBER	APPROX. WEIGHT	PALLET QTY.
Replacement Covers	12" x 12"	10K	8	A6001422	15 lbs.	50
	12" x 12"	20K	15	A6001422T	19 lbs.	50
Replacement Box	12" x 12" x 24"	10K / 20K	22	A6001212X24	62 lbs.	16

- Boxes are Open Bottom.
- For sizes not shown please contact Armorcast Products for more information.

THIS PRODUCT IS LISTED TO APPLICABLE UL STANDARDS AND REQUIREMENTS BY UL.

[www.armorcastprod.com](http://www.armorcastprod.com)

Tel: (818) 982-3600 Fax: (818) 982-7742



# 12" x 12" FLARED BOX ASSEMBLY

## STANDARD DIMENSIONS

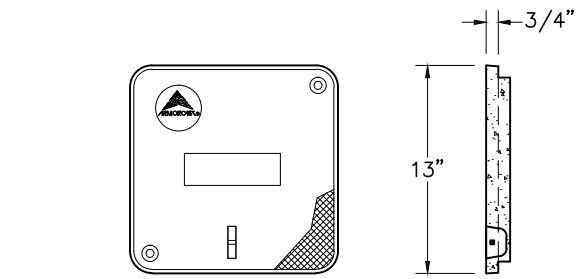
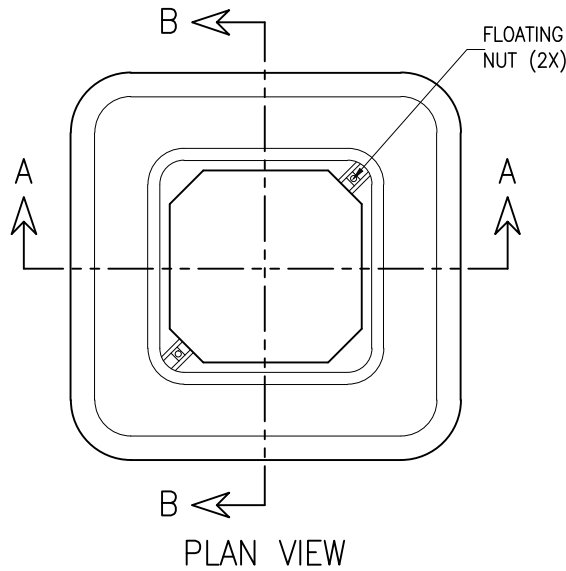
ARMORCAST PRODUCTS COMPANY

POLYMER CONCRETE

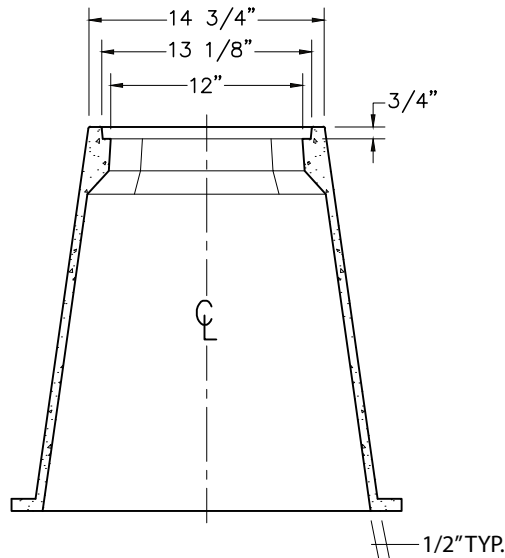
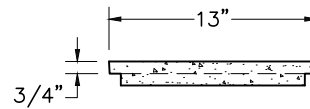
A6001212



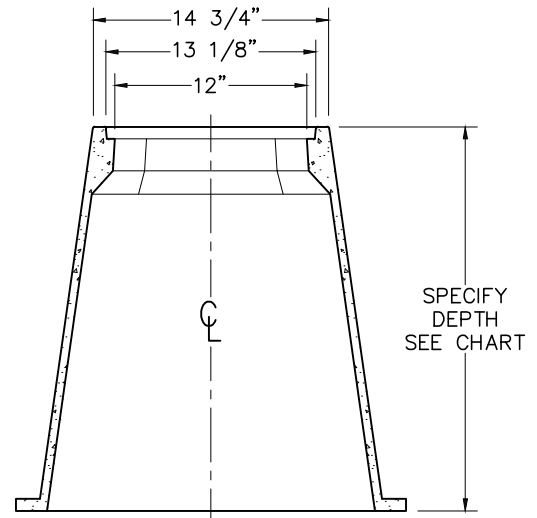
FILE #E364252



POLYMER CONCRETE COVER



SECTION A-A



SECTION B-B

Armorcast Products Company reserves the right to update or discontinue product information at any time without notice.

THIS PRODUCT IS LISTED TO APPLICABLE UL STANDARDS AND REQUIREMENTS BY UL.

[www.armorcastprod.com](http://www.armorcastprod.com)

Tel: (818) 982-3600 Fax: (818) 982-7742