

11" x 21" BOX ASSEMBLY

12" DEPTH



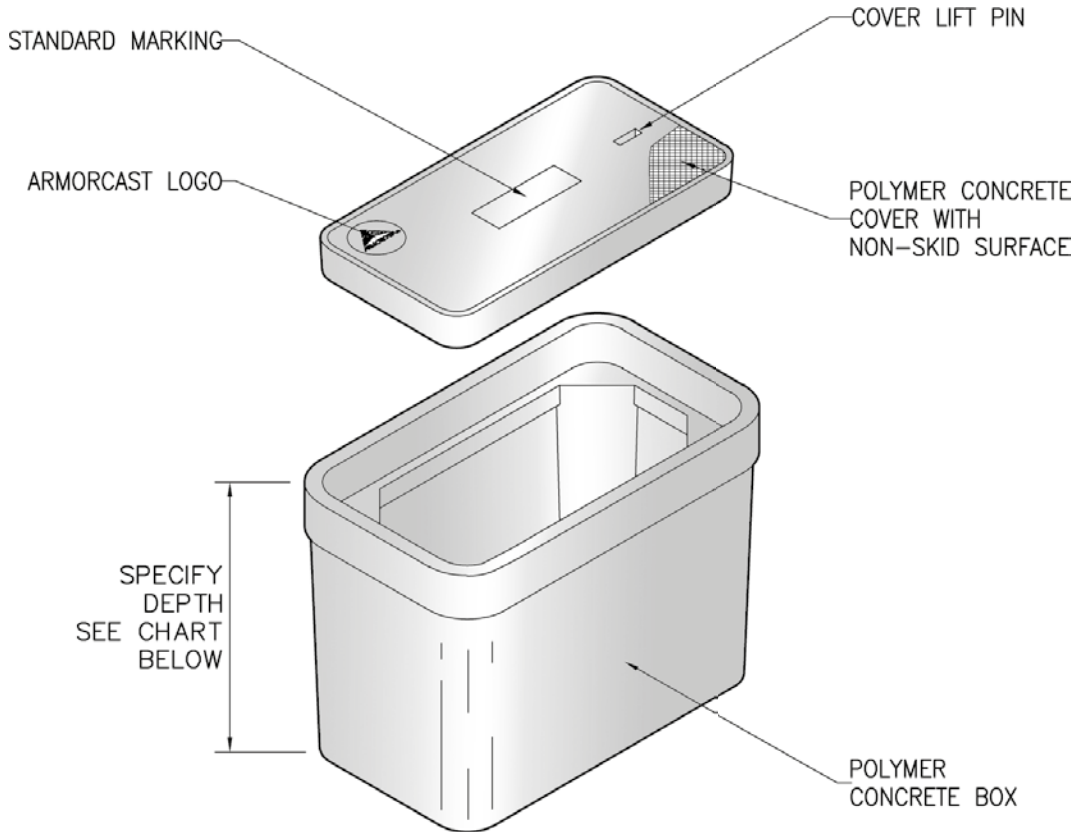
POLYMER CONCRETE

ARMORCAST PRODUCTS COMPANY

A6000492



LISTED
FILE #E364252



POLYMER CONCRETE BOXES

11"W x 21"L BOX ASSEMBLIES Specify Depth Below

DESCRIPTION	NOMINAL SIZE W x L x D	LOAD RATING	ANSI TIER	PART NUMBER	APPROX. WEIGHT	PALLET QTY.
Box & Cover Assembly	11" x 21" x 12"	10K	8	A6000492A	79 lbs.	20
	11" x 21" x 12"	20K	15	A6000492TA	79 lbs.	20

COMPONENTS

MORE COVER VARIATIONS ARE AVAILABLE IN OUR "COVER SECTION"

DESCRIPTION	NOMINAL SIZE W x L x D	LOAD RATING	ANSI TIER	PART NUMBER	APPROX. WEIGHT	PALLET QTY.
Replacement Covers	11" x 21"	10K	8	A6000489	15 lbs.	50
	11" x 21"	20K	15	A6000489T	15 lbs.	50
Replacement Box	11" x 21" x 12"	10K / 20K	8 / 15	A6000492	64 lbs.	20

- Boxes are Open Bottom and Stackable, also available with Solid Bottoms.
- For sizes not shown please contact Armorcast Products for more information.

THIS PRODUCT IS LISTED TO APPLICABLE UL STANDARDS AND REQUIREMENTS BY UL.

www.armorcastprod.com

Tel: (818) 982-3600 Fax: (818) 982-7742



ARMORCAST PRODUCTS COMPANY

11" x 21" BOX ASSEMBLY

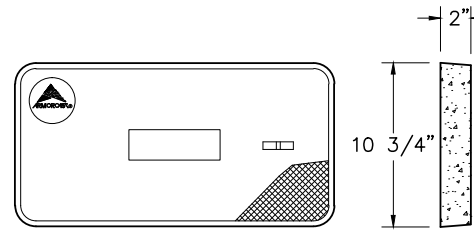
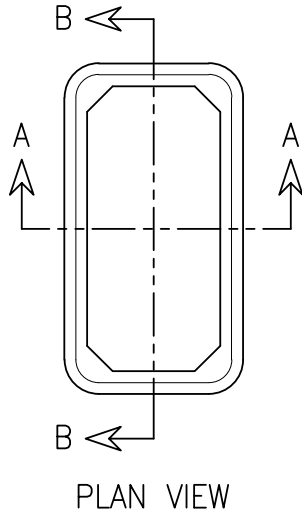
STANDARD DIMENSIONS

POLYMER CONCRETE

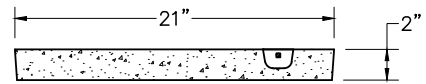
A6000492



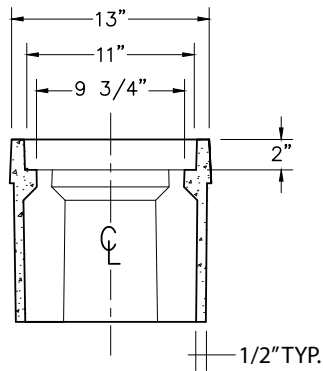
FILE #E364252



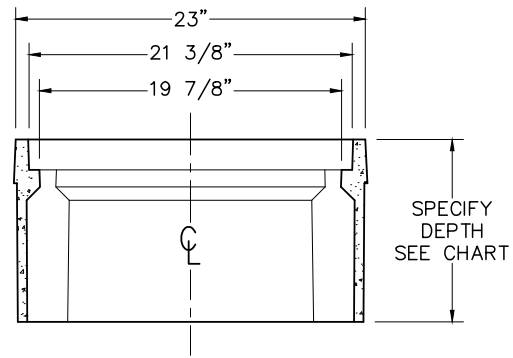
POLYMER CONCRETE COVER



POLYMER CONCRETE COVER



SECTION A-A



SECTION B-B

POLYMER CONCRETE BOXES

POLYMER CONCRETE BOX

Armorcast Products Company reserves the right to update or discontinue product information at any time without notice.

THIS PRODUCT IS LISTED TO APPLICABLE UL STANDARDS AND REQUIREMENTS BY UL.