

11" x 21" FLARED BOX ASSEMBLY

12" DEPTH



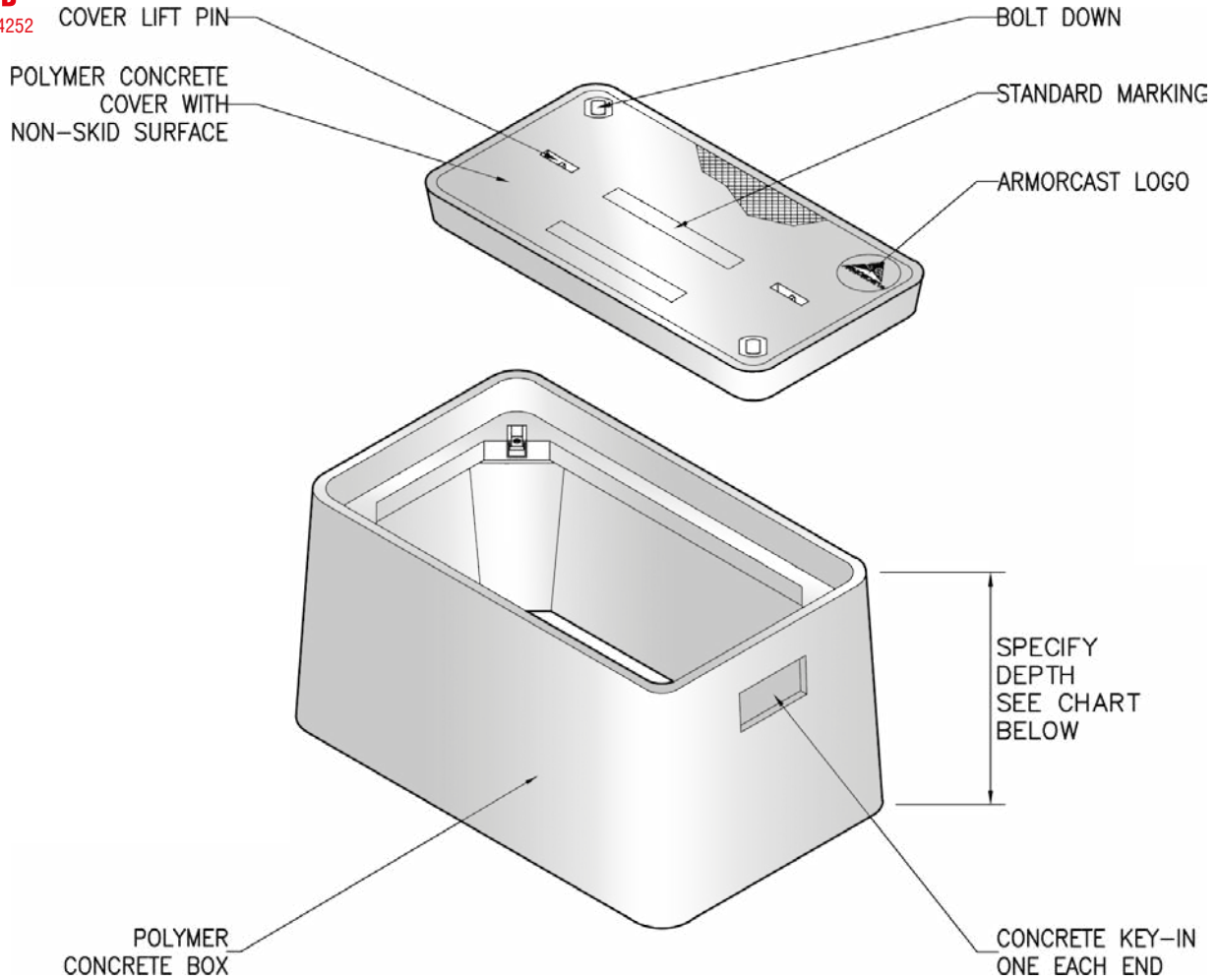
POLYMER CONCRETE

ARMORCAST PRODUCTS COMPANY

A6001863



LISTED
FILE #E364252



POLYMER CONCRETE BOXES

11"W x 21"L FLARED BOX ASSEMBLIES Specify Depth Below

DESCRIPTION	NOMINAL SIZE W x L x D	LOAD RATING	ANSI TIER	PART NUMBER	APPROX. WEIGHT	PALLET QTY.
Box & Cover Assembly	11" x 21" x 12"	10K	8	A6001863A	81 lbs.	15
	11" x 21" x 12"	20K	15	A6001863TA	90 lbs.	15

COMPONENTS

MORE COVER VARIATIONS ARE AVAILABLE IN OUR "COVER SECTION"

DESCRIPTION	NOMINAL SIZE W x L x D	LOAD RATING	ANSI TIER	PART NUMBER	APPROX. WEIGHT	PALLET QTY.
Replacement Covers	11" x 21"	10K	8	A6001865	25 lbs.	50
	11" x 21"	20K	15	A6001865T	34 lbs.	50
Replacement Box	11" x 21" x 12"	10K / 20K	8 / 15	A6001863	56 lbs.	15

- Boxes are Open Bottom.
- For sizes not shown please contact Armorcast Products for more information.

THIS PRODUCT IS LISTED TO APPLICABLE UL STANDARDS AND REQUIREMENTS BY UL.

www.armorcastprod.com

Tel: (818) 982-3600 Fax: (818) 982-7742



11" x 21" FLARED BOX ASSEMBLY

STANDARD DIMENSIONS

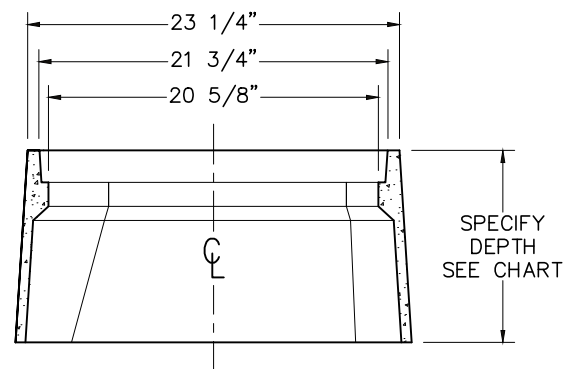
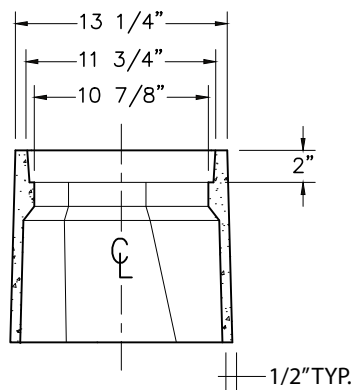
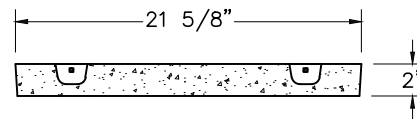
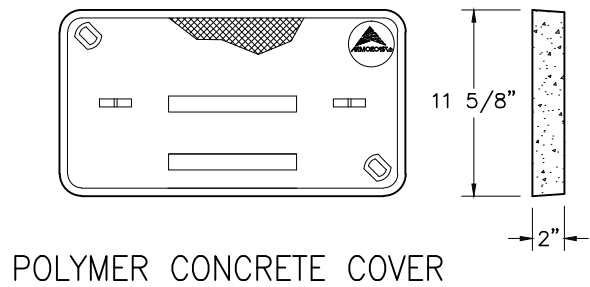
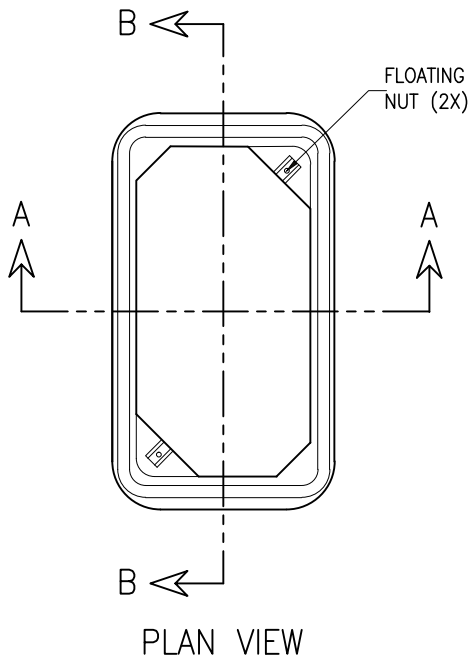
ARMORCAST PRODUCTS COMPANY

POLYMER CONCRETE

A6001863



FILE #E364252



POLYMER CONCRETE BOXES

Armorcast Products Company reserves the right to update or discontinue product information at any time without notice.

THIS PRODUCT IS LISTED TO APPLICABLE UL STANDARDS AND REQUIREMENTS BY UL.

www.armorcastprod.com

Tel: (818) 982-3600 Fax: (818) 982-7742