

# 11" x 18" BOX ASSEMBLY

## 12" to 18" DEPTHS



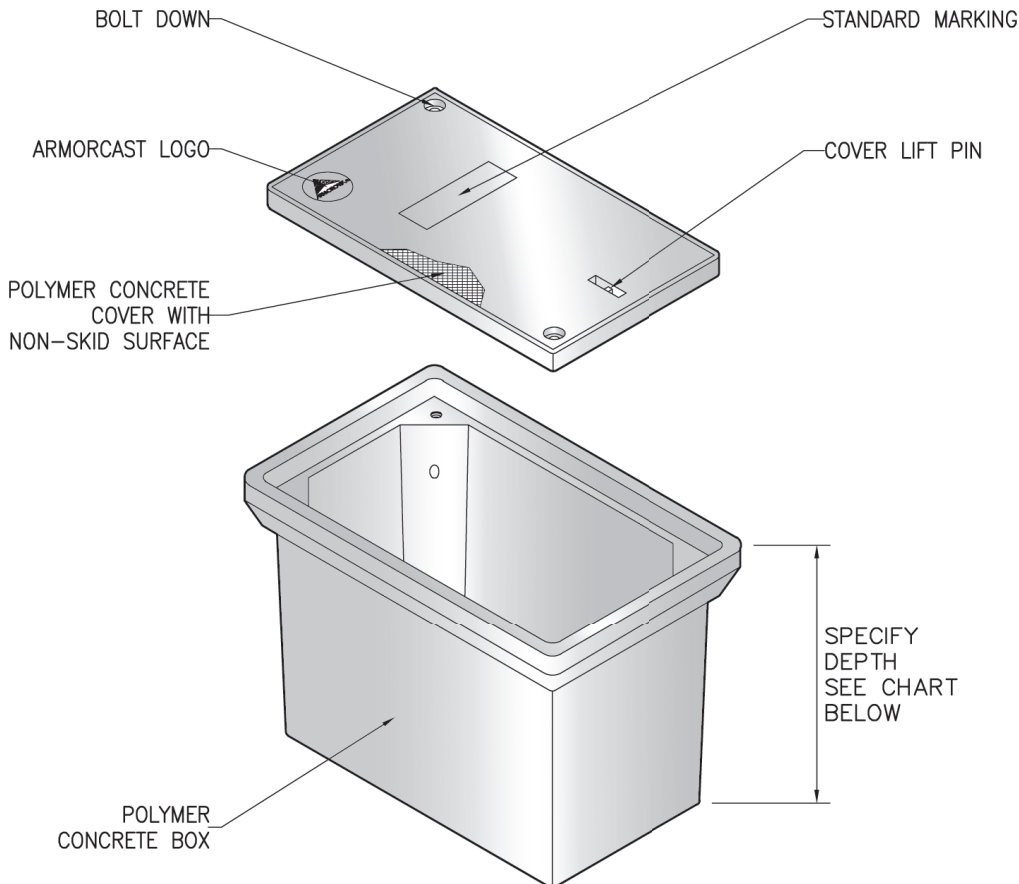
**POLYMER CONCRETE**

**ARMORCAST PRODUCTS COMPANY**

A6001429



**LISTED**  
FILE #E364252



POLYMER CONCRETE BOXES

### 11"W x 18"L BOX ASSEMBLIES Specify Depth Below

DESCRIPTION	NOMINAL SIZE W x L x D	LOAD RATING	ANSI TIER	PART NUMBER	APPROX. WEIGHT	PALLET QTY.
Box & Cover Assembly	11" x 18" x 12"	10K	8	A6001429A	47 lbs.	18
	11" x 18" x 12"	20K	15 / 22	A6001429TA / A6001429HDA	47 lbs.	18
Box & Cover Assembly	11" x 18" x 18"	10K	8	A6001429AX18	71 lbs.	12
	11" x 18" x 18"	20K	15/ 22	A6001429TAX18 / A6001429HDAX18	71 lbs.	12

### COMPONENTS

MORE COVER VARIATIONS ARE AVAILABLE IN OUR "COVER SECTION"

DESCRIPTION	NOMINAL SIZE W x L x D	LOAD RATING	ANSI TIER	PART NUMBER	APPROX. WEIGHT	PALLET QTY.
Replacement Covers	11" x 18"	10K	8	A6001428	15 lbs.	50
	11" x 18"	20K	15	A6001428T	15 lbs.	50
Replacement Boxes	11" x 18" x 12"	10K / 20K	22	A6001429	32 lbs.	18
	11" x 18" x 18"	10K / 20K	22	A6001429X18	56 lbs.	12

- Boxes are Open Bottom and Stackable, also available with Solid Bottoms.
- For sizes not shown please contact Armorcast Products for more information.

THIS PRODUCT IS LISTED TO APPLICABLE UL STANDARDS AND REQUIREMENTS BY UL.

[www.armorcastprod.com](http://www.armorcastprod.com)

Tel: (818) 982-3600 Fax: (818) 982-7742



ARMORCAST PRODUCTS COMPANY

# 11" x 18" BOX ASSEMBLY

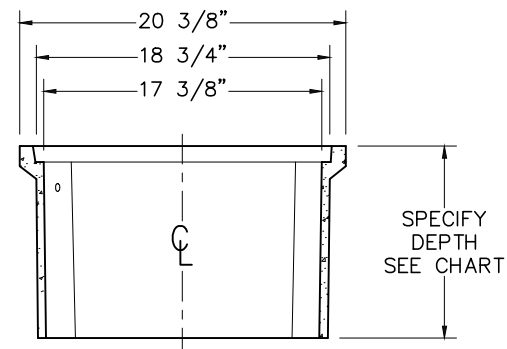
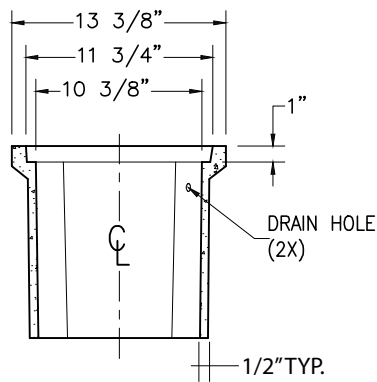
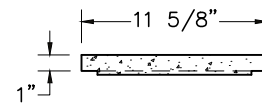
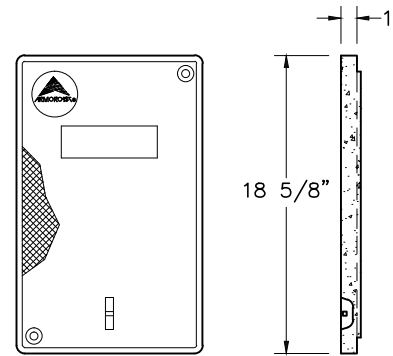
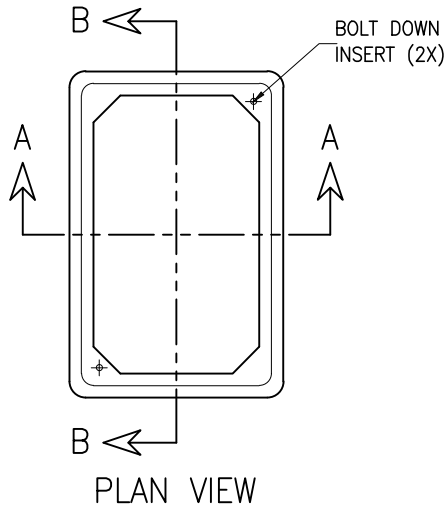
## STANDARD DIMENSIONS

POLYMER CONCRETE

A6001429



FILE #E364252



POLYMER CONCRETE BOXES

Armorcast Products Company reserves the right to update or discontinue product information at any time without notice.

THIS PRODUCT IS LISTED TO APPLICABLE UL STANDARDS AND REQUIREMENTS BY UL.

[www.armorcastprod.com](http://www.armorcastprod.com) Tel: (818) 982-3600 Fax: (818) 982-7742