

11" x 11" BOX ASSEMBLY

18" DEPTH



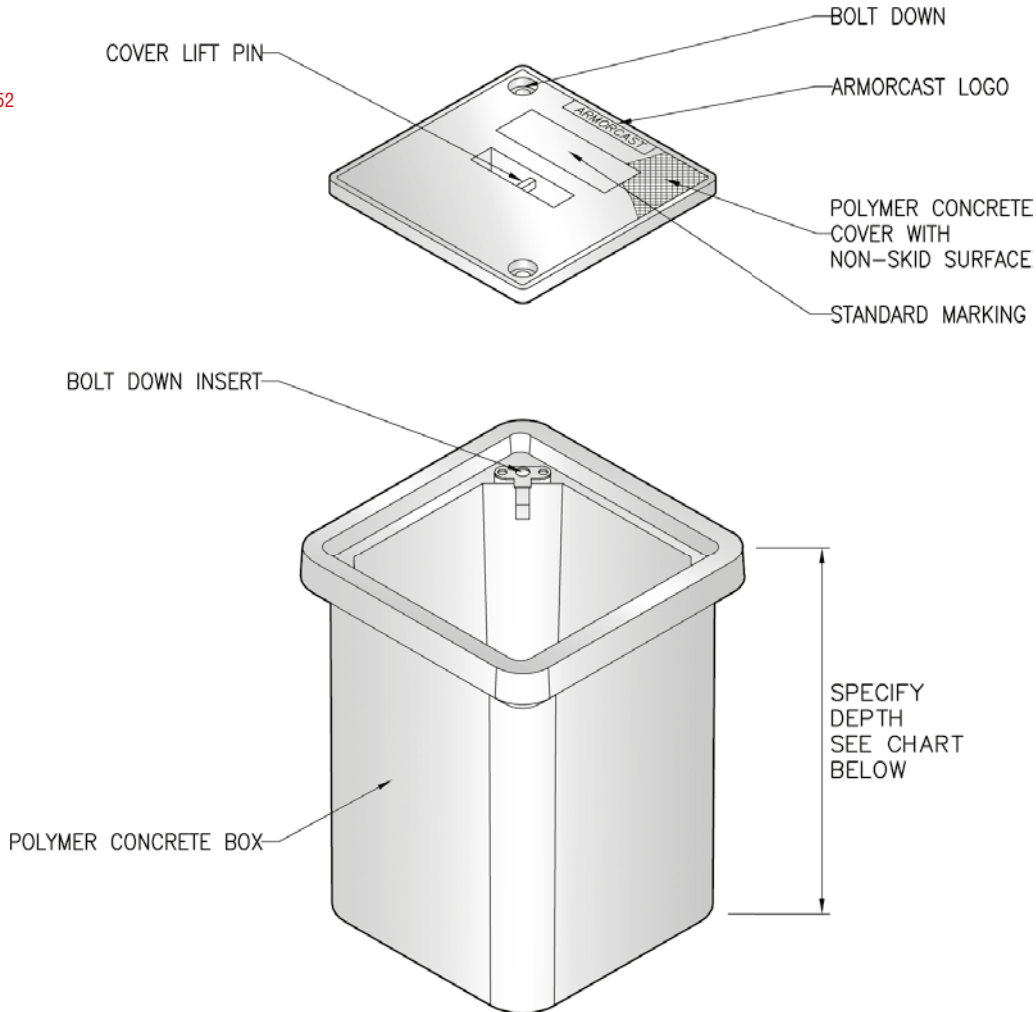
POLYMER CONCRETE

ARMORCAST PRODUCTS COMPANY

A6000808



LISTED
FILE #E364252



POLYMER CONCRETE BOXES

11"W x 11"L BOX ASSEMBLIES Specify Depth Below

DESCRIPTION	NOMINAL SIZE W x L x D	LOAD RATING	ANSI TIER	PART NUMBER	APPROX. WEIGHT	PALLET QTY.
Box & Cover Assembly	11" x 11" x 18"	10K	8	A6000808A	36 lbs.	9
	11" x 11" x 18"	20K	15	A6000808TA	37 lbs.	9

COMPONENTS

MORE COVER VARIATIONS ARE AVAILABLE IN OUR "COVER SECTION"

DESCRIPTION	NOMINAL SIZE W x L x D	LOAD RATING	ANSI TIER	PART NUMBER	APPROX. WEIGHT	PALLET QTY.
Replacement Covers	11" x 11"	10K	8	A6000808-CVR	6 lbs.	50
	11" x 11"	20K	15	A6000808T-CVR	7 lbs.	50
Replacement Box	11" x 11" x 18"	10K / 20K	8 / 15	A6000808X18	30 lbs.	9

- Boxes are Open Bottom and Stackable, also available with Solid Bottoms.
- For sizes not shown please contact Armorcast Products for more information.

THIS PRODUCT IS LISTED TO APPLICABLE
UL STANDARDS AND REQUIREMENTS BY UL.

www.armorcastprod.com

Tel: (818) 982-3600 Fax: (818) 982-7742



ARMORCAST PRODUCTS COMPANY

11" x 11" BOX ASSEMBLY

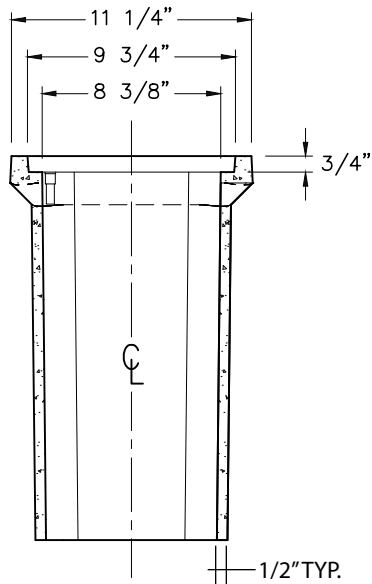
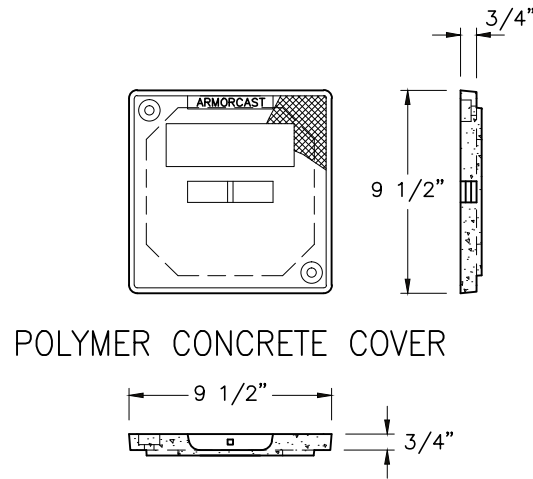
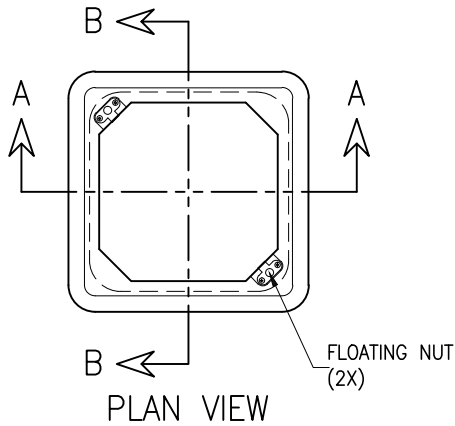
STANDARD DIMENSIONS

POLYMER CONCRETE

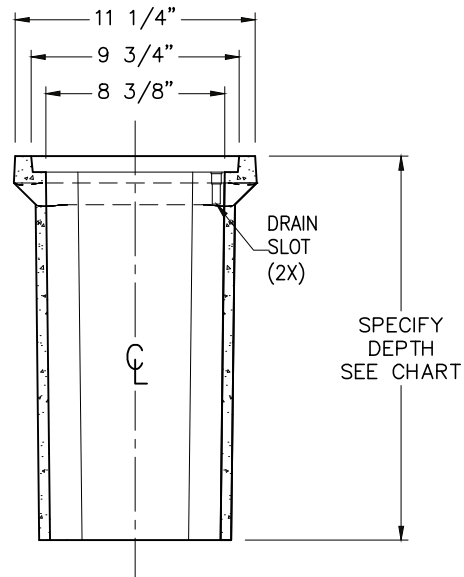
A6000808



FILE #E364252



SECTION A-A



SECTION B-B

Armorcast Products Company reserves the right to update or discontinue product information at any time without notice.

THIS PRODUCT IS LISTED TO APPLICABLE UL STANDARDS AND REQUIREMENTS BY UL.

www.armorcastprod.com

Tel: (818) 982-3600 Fax: (818) 982-7742

POLYMER CONCRETE BOXES