

10" x 15" FLARED BOX ASSEMBLY

12" to 18" DEPTHS



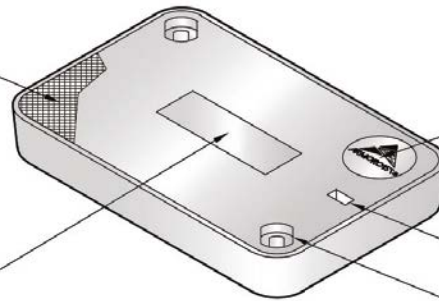
POLYMER CONCRETE

ARMORCAST PRODUCTS COMPANY

A6001921



POLYMER CONCRETE COVER WITH NON-SKID SURFACE



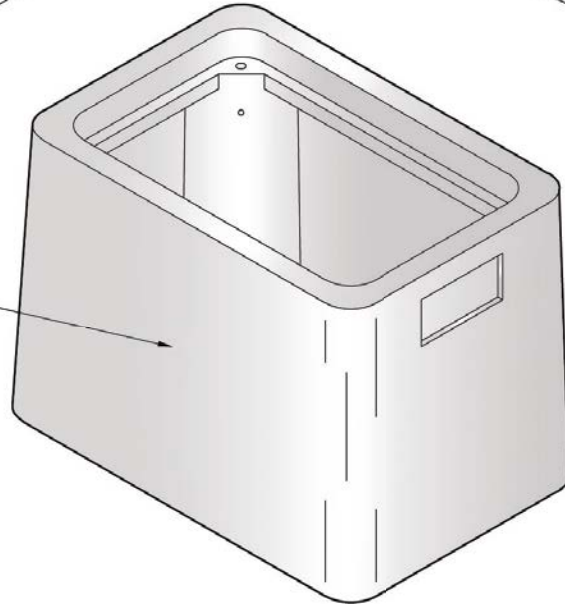
ARMORCAST LOGO

COVER LIFT PIN

BOLT DOWN

STANDARD MARKING

POLYMER CONCRETE BOX



SPECIFY DEPTH SEE CHART BELOW

POLYMER CONCRETE BOXES

10"W x 15"L FLARED BOX ASSEMBLIES Specify Depth Below

DESCRIPTION	NOMINAL SIZE W x L x D	LOAD RATING	ANSI TIER	PART NUMBER	APPROX. WEIGHT	PALLET QTY.
Box & Cover Assembly	10" x 15" x 12"	10K	8	A6001921AX12	55 lbs.	24
	10" x 15" x 12"	20K	15 / 22	A6001921TAX12 / A6001921HDAX12	62 lbs.	24
Box & Cover Assembly	10" x 15" x 18"	10K	8	A6001921AX18	71 lbs.	12
	10" x 15" x 18"	20K	15 / 22	A6001921TAX18 / A6001921HDAX18	78 lbs.	12

COMPONENTS

MORE COVER VARIATIONS ARE AVAILABLE IN OUR "COVER SECTION"

DESCRIPTION	NOMINAL SIZE W x L x D	LOAD RATING	ANSI TIER	PART NUMBER	APPROX. WEIGHT	PALLET QTY.
Replacement Covers	10" x 15"	10K	8	A6001922	11 lbs.	100
	10" x 15"	20K	15	A6001922T	18 lbs.	100
Replacement Boxes	10" x 15" x 12"	10K / 20K	22	A6001921X12	44 lbs.	24
	10" x 15" x 18"	10K / 20K	22	A6001921X18	60 lbs.	12

- Boxes are Open Bottom.
- For sizes not shown please contact Armorcast Products for more information.

THIS PRODUCT IS LISTED TO APPLICABLE UL STANDARDS AND REQUIREMENTS BY UL.

www.armorcastprod.com

Tel: (818) 982-3600 Fax: (818) 982-7742



10" x 15" FLARED BOX ASSEMBLY

STANDARD DIMENSIONS

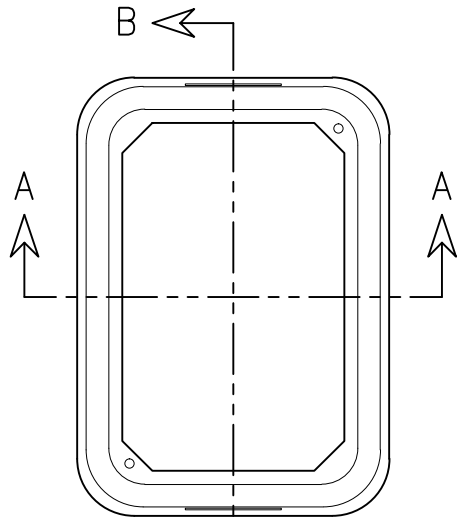
ARMORCAST PRODUCTS COMPANY

POLYMER CONCRETE

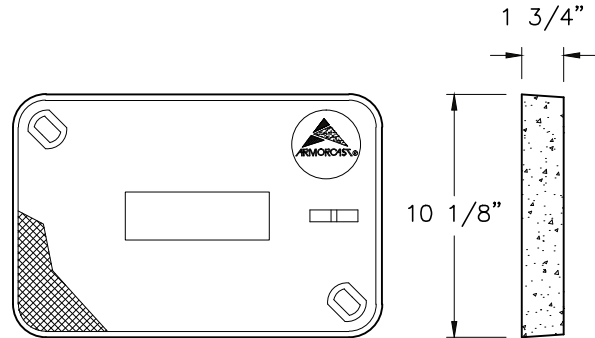
A6001921



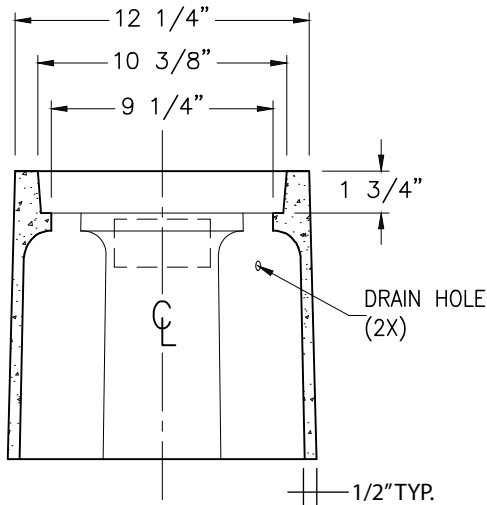
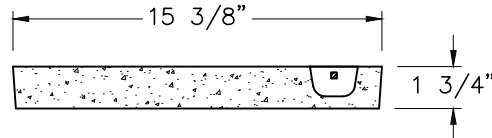
LISTED
FILE #E364252



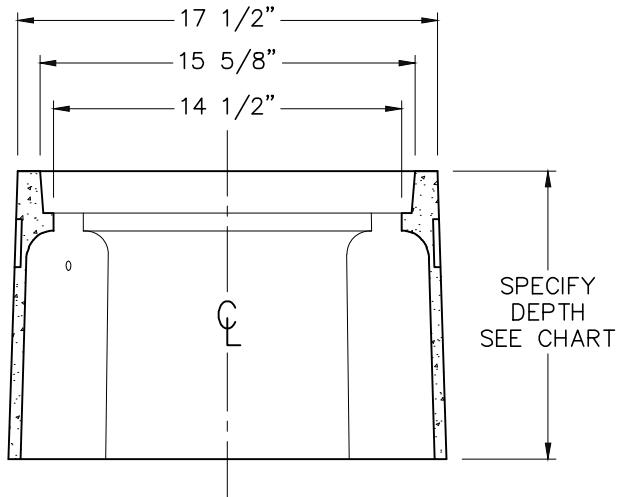
PLAN VIEW



POLYMER CONCRETE COVER



SECTION A-A



SECTION B-B

Armorcast Products Company reserves the right to update or discontinue product information at any time without notice.

THIS PRODUCT IS LISTED TO APPLICABLE UL STANDARDS AND REQUIREMENTS BY UL.

www.armorcastprod.com

Tel: (818) 982-3600 Fax: (818) 982-7742

POLYMER CONCRETE
BOXES