

10" x 15" FRP FLARED BOX ASSEMBLY

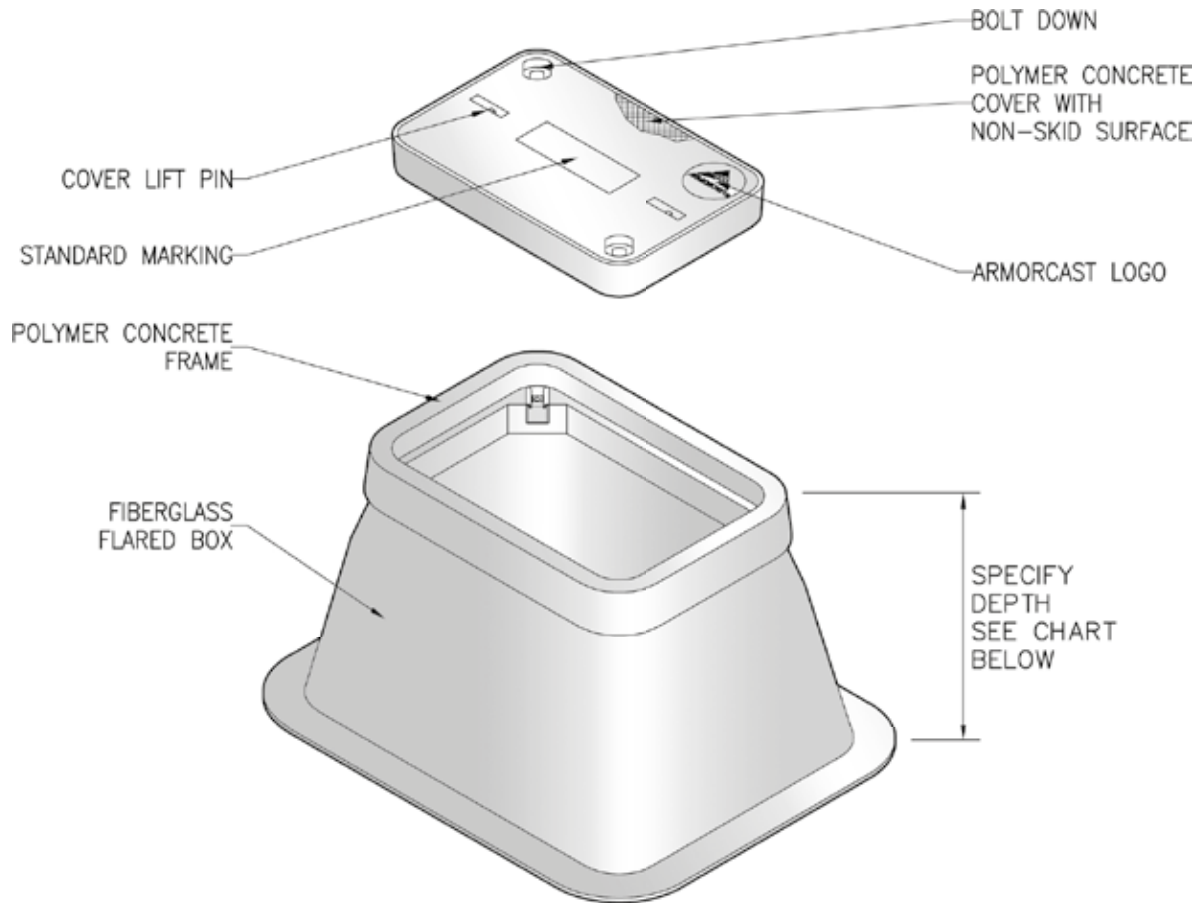
12" & 18" DEPTHS



FIBERGLASS

ARMORCAST PRODUCTS COMPANY

A6001923



Specify Depth Below

DESCRIPTION	NOMINAL SIZE W x L x D	LOAD RATING	ANSI TIER	PART NUMBER	APPROX. WEIGHT	PALLET QTY.
Box & Cover Assembly	10" x 15" x 12"	10K	8	A6001923AX12	36 lbs.	40
	10" x 15" x 12"	20K	15	A6001923TAX12	43 lbs.	40
Box & Cover Assembly	10" x 15" x 18"	10K	8	A6001923AX18	44 lbs.	20
	10" x 15" x 18"	20K	15	A6001923TAX18	51 lbs.	20

COMPONENTS

DESCRIPTION	NOMINAL SIZE W x L x D	LOAD RATING	ANSI TIER	PART NUMBER	APPROX. WEIGHT	PALLET QTY.
Replacement Covers	10" x 15"	10K	8	A6001922	11 lbs.	50
	10" x 15"	20K	15	A6001922T	18 lbs.	50
Replacement Boxes	10" x 15" x 12"	10K / 20K	8 / 15	A6001923X12	25 lbs.	40
	10" x 15" x 18"	10K / 20K	8 / 15	A6001923X18	33 lbs.	20

- Boxes are Open Bottom.
- For sizes not shown please contact Armorcast Products for more information

www.armorcastprod.com

Tel: (818) 982-3600 Fax: (818) 982-7742



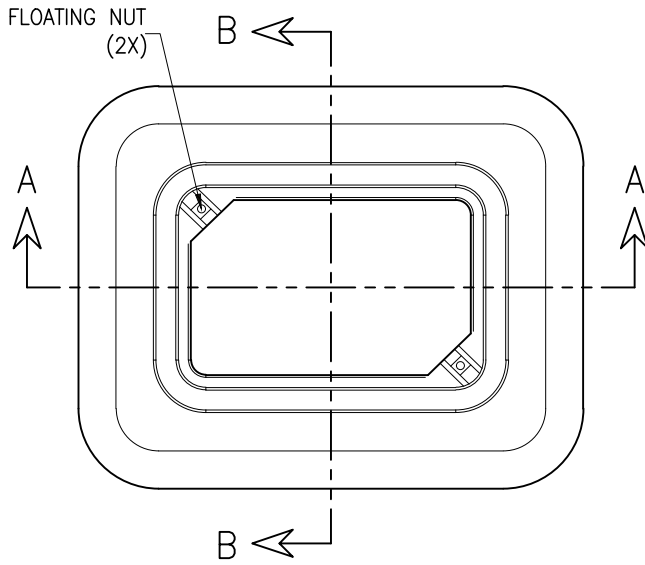
10" x 15" FRP FLARED BOX ASSEMBLY

STANDARD DIMENSIONS

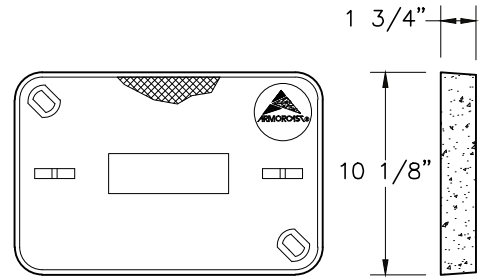
ARMORCAST PRODUCTS COMPANY

FIBERGLASS

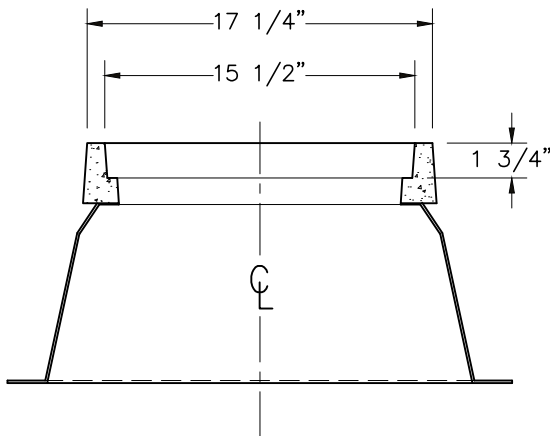
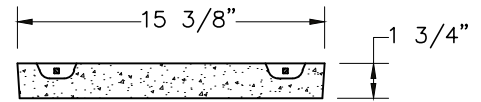
A6001923



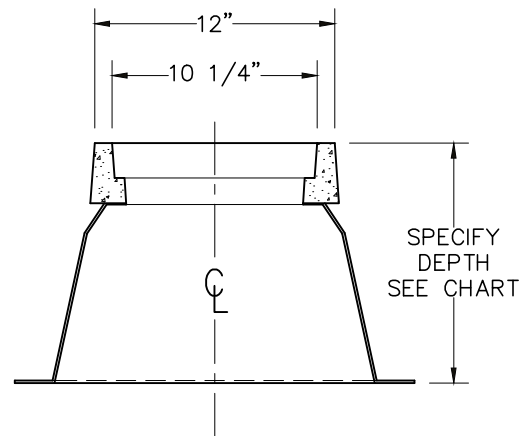
PLAN VIEW



POLYMER CONCRETE COVER



SECTION A-A



SECTION B-B

Armorcast Products Company reserves the right to update or discontinue product information at any time without notice.

www.armorcastprod.com

Tel: (818) 982-3600 Fax: (818) 982-7742

FIBERGLASS
BOXES